



IDIOMA • EN/ES

moving forward in every field

JOHN DEERE

▶▶ **RECAMBIOS PARA TRACTORES**

Catálogo - Primera edición: 2009

www.bepcoparts.com

Member of **TVH** 

PRESENTACIÓN DE BEPCO

El Grupo BEPCO es líder mundial en el suministro de recambios y accesorios para tractores y máquinas agrícolas.

Con más de 360 empleados, el Grupo BEPCO tiene delegaciones en Bélgica, Holanda, Francia, Alemania, España y el Reino Unido. También está presente en Australia, Nueva Zelanda, Sudáfrica y Brasil.

El Grupo BEPCO es una compañía global con clientes en más de 100 países y con ventas fuera de Europa que contribuyen a más de una tercera parte de su facturación.



Ofrecemos a nuestra red de distribuidores y concesionarios :

- ▶▶ Marcas de proveedores de piezas originales y otras marcas líderes
- ▶▶ Más de 20.000 m² de almacenes
- ▶▶ Más de 80.000 artículos disponibles
- ▶▶ Personal experto en conocimientos técnicos
- ▶▶ Envíos el mismo día del pedido, con entregas al día siguiente en muchos mercados

El Grupo BEPCO es miembro de TVH, el mayor suministrador de piezas y accesorios de alta calidad para máquinas de manipulación, vehículos industriales y otros equipos agrícolas.

JOHN DEERE PARTS

Démarreur - Starter motor - Anlasser - Startmotor - Motore de arranque

Applications Applications	Réf. Ref.	OEM	
John Deere 5415, 5415H, 5510, 5510N, 5615, 5715, 5715HC, 5720, 5820 6020, 6020SE, 6120, 6120L, 6120SE, 6215, 6220, 6220L, 6220SE, 6320, 6320L, 6320SE, 6415, 6420, 6420L, 6420S, 6420SE, 6520L,	62/930-237 (Iskra) 12V 2,6KW	RE519975 RE506586	3x121 9Z  175

Les références des pièces sont indicatives.
Nos pièces ne sont pas d'origine.

Part numbers are quoted for reference purposes only.
Our parts and accessories are not original.



ELECTRICAL PARTS

Ampoule - Bulb - Gloeilamp - Glühlampe - Bombilla




1



2



3

	Fig.	Part N°	x1	OEM	Description - Description - Omschrijving - Beschreibung - Descripción
JOHN DEERE					
820, 920, 1020, 1120, 1550, 1750, 1830, 1850, 1850N, 1950, 1950N 2020, 2030, 2120, 2130, 2250, 2450, 2650, 2650N, 2850 3030, 3050, 3120, 3130, 3350, 3650 4050, 4055, 4250, 4255, 4450, 4455, 4555, 4555, 4650, 4755, 4850, 4955	1	63/1955-472	75/1955-472	57M7166	H4 - 12V - 55/60W
5220, 5320, 5420, 5520, 5620, 5720, 5820 6010, 6100, 6110, 6120, 6200, 6205, 6210, 6220, 6300, 6310, 6320, 6400, 6410, 6420, 6505, 6506, 6510, 6520, 6600, 6610, 6620, 6800, 6810, 6820, 6900, 6910, 6920 7200, 7220, 7320, 7400, 7420, 7520, 7600, 7610, 7700, 7710, 7800, 7810 8100, 8110, 8200, 8210, 8300, 8310, 8400, 8410 9100, 9200, 9300, 9400	2	63/1955-2	75/1955-2	R136239 57M7358	12V - 50W
7630, 7730, 7830, 7930 7715, 7815 (Brazil) 7720, 7820, 7920 (North American Edition) 8120, 8120T, 8130, 8220, 8220T, 8230, 8230T, 8320, 8320T, 8330, 8330T, 8420, 8420T, 8430, 8430T, 8520, 8520T, 8530 9120, 9220, 9230, 9320, 9320T, 9330, 9420, 9420T, 9430, 9430T, 9520, 9520T, 9530, 9530T, 9620, 9620T, 9630, 9630T	3	63/1955-623	75/1955-623	RE179326	HB3 12V - 65W

NEW

Les références des pièces sont indicatives.
Nos pièces ne sont pas d'origine.

Part numbers are quoted for reference purposes only.
Our parts and accessories are not original.

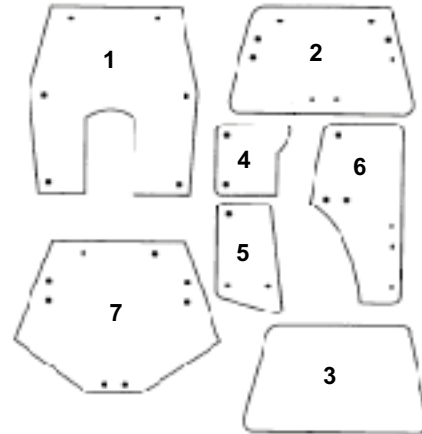



"THE RELIABLE SERVICE"



JOHN DEERE PARTS

Vitre de cabine - Cab glass - Kabinenscheiben - Kabineruiten - Cristal de cabina



	Fig.	Parts N°	OEM	Pos.	Specification	Dimensions
SERIE 6020 SERIES <div style="border: 1px solid black; border-radius: 50%; padding: 5px; display: inline-block; margin-left: 100px;">NEW</div>	1	26/4001-37	L166875	A	Fixed-6H-CO	1445x1365x5
	2	26/4004-7	L78725 L78726	B	O-8H-CO	1348x794x5
	3	26/4001-32	L112972	A	Fixed-CO	1348x794x5
	4	26/4012-47	L78534 L151753	C	R-2H-CO	620x480x5
	4	26/4012-46	L78533 L151752	C	L-2H-CO	620x480x5
	5	26/4047-70	L113305	D	R-3H-CO	760x433x5
	5	26/4047-71	L113306	D	L-3H-CO	760x433x5
	6	26/4038-10	L77648	E	R-6H-CO	1430x695x6
	6	26/4039-10	L77647	E	L-6H-CO	1430x695x6
9	26/4072-60	L78727	F	8H-CO	1250x760x6	

A = Pare-brise fixe / Windscreen fixed / Frontscheibe fest / Voornruit vast / Parabrisa fijo
B = Pare-brise ouvrant / Windscreen opening / Frontscheibe Öffnet / Voornruit schuifdak / Parabrisa abatible
C = Avant bas / lower front / Vorne / Voornruit / Delantero inferior
D = Latérale / Side / Seite / Zijkant / Lateral
E = Porte / Door / Türscheibe / Deur / Puerta
F = Arrière haut / Upper rear / Hinten oben / Achteraan bovenaan / Trasero superior
2H = 2 Trous / 2 Holes / 2 Bohrungen / 2 Gaten / 2 Agujeros
3H = 3 Trous / 3 Holes / 3 Bohrungen / 3 Gaten / 3 Agujeros
6H = 6 Trous / 6 Holes / 6 Bohrungen / 6 Gaten / 6 Agujeros
8H = 8 Trous / 8 Holes / 8 Bohrungen / 8 Gaten / 8 Agujeros
CO = Convexe / Curved / Konkav / Convex / Convexo
L = Gauche / Left / Links / Links / Izquierdo
R = Droite / Right / Rechts / Rechts / Derecho
T = Tintée / Tinted / Getönt / Getint / Tintado

Les références des pièces sont indicatives.
Nos pièces ne sont pas d'origine.

Part numbers are quoted for reference purposes only.
Our parts and accessories are not original.

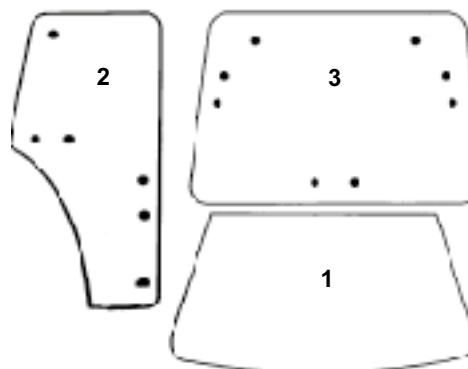



"THE RELIABLE SERVICE"



JOHN DEERE PARTS

Vitre de cabine - Cab glass - Kabinenscheiben - Kabineruiten - Cristal de cabina



	Fig.	Parts N°	OEM	Pos.	Specification		Dimensions
7600, 7610, 7700, 7710, 7800, 7810	1	26/4001-38	R114807	A		T	1375x800x6
	2	26/4038-23T	R131164 R110825	B	R-6H		1430x670x6
	2	26/4039-23T	R131163 R96191	B	L-6H		1430x670x6
	3	26/4072-61	R110990	C	8H		1430x795x6

NEW

A = Pare-brise fixe / Windscreen fixed / Frontscheibe fest / Voorruit vast / Parabrisa fijo
 B = Porte / Door / Türscheibe / Deur / Puerta
 C = Arrière / Upper / Hinten / Achteraan / Trasero
 6H = 6 Trous / 6 Holes / 6 Bohrungen / 6 Gaten / 6 Agujeros
 8H = 8 Trous / 8 Holes / 8 Bohrungen / 8 Gaten / 8 Agujeros
 L = Gauche / Left / Links / Links / Izquierdo
 R = Droite / Right / Rechts / Rechts / Derecho
 T = Tintée / Tinted / Getönt / Getint / Tintado

Les références des pièces sont indicatives.
Nos pièces ne sont pas d'origine.

Part numbers are quoted for reference purposes only.
Our parts and accessories are not original.





"THE RELIABLE SERVICE"



JOHN DEERE PARTS

UNITE DE DIRECTION - STEERING UNIT - ORBITROL - STUURVERDELER - ORBITROL

	Ref.	OEM	
6010, 6010SE, 6020, 6020SE, 6110, 6110L, 6110SE, 6120, 6120L, 6120SE, 6210, 6210L, 6210SE, 6215, 6220, 6220L, 6220SE, 6300, 6310, 6310L, 6310S, 6310SE, 6320, 6320L, 6320SE, 6400, 6405, 6410, 6410L, 6410S, 6410SE, 6415, 6420, 6420L, 6420S, 6420SE, 6500, 6510L, 6510S, 6520L, 6615, 6715 6510, 6610, 6810, 6910, 6910S, (A) 6200L, 6300L, 6400L, 6500L (190716⇨) 6405, 6605 (South America) 6520, 6620, 6820, 6920, 6920S (11/06)	26/560-18	AL110258	
6506, 6510, 6510SE, 6520, 6520SE, 6600, 6610, 6610SE, 6620, 6620SE, 6800, 6810, 6820, 6900, 6910, 6910S, 6920, 6920S, 7405 7500, 7505 (ES) 3200, 3400	26/560-42	AL119235 AL82125 AL114630	

- (A)** Axle with front wheel brakes
- (A)** Pont avant avec freins sur roues avant
- (A)** Frontantriebsachse mit Vorderradbremse
- (A)** Vooras met voorwielrem
- (A)** Eje de tdm con frenos en ruedas delanteras

Les références des pièces sont indicatives.
Nos pièces ne sont pas d'origine.

Part numbers are quoted for reference purposes only.
Our parts and accessories are not original.








"THE RELIABLE SERVICE"



JOHN DEERE PARTS

Démarrateurs - Starter motors - Anlasser - Startmotors - Motores de arranque

Applications <i>Applications</i>	Réf. <i>Ref.</i>	OEM	 A x B	 Z	 L
John Deere					
6600, 6506, 6800, 6900, 7500 6510, 6610, 6810, 6910 (⇒551900)	62/930-216 (Iskra) Avec reducteur <i>With reducer</i> 12V 4,2KW	AL70852 AL81154	3x127 	10Z	220
6515, 6520, 6615, 6620, 6715, 6820, 6920 7320, 7420, 7520, 7820 6205, 6505, 6510, 6610, 6810, 6910, 6910S (551901⇒)	62/930-224 (Iskra) Avec reducteur <i>With reducer</i> 12V 4,2KW	RE504807 RE503226	3x127 	10Z	225

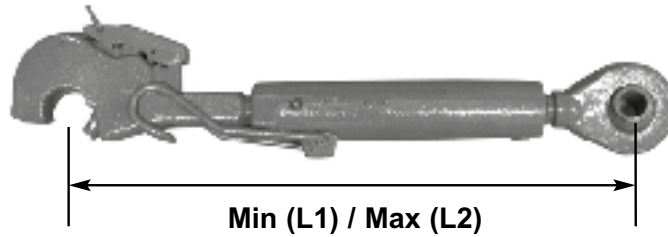
Les références des pièces sont indicatives.
Nos pièces ne sont pas d'origine.

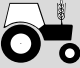
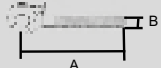
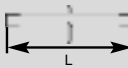
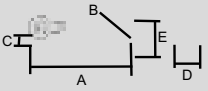
Part numbers are quoted for reference purposes only.
Our parts and accessories are not original.



JOHN DEERE PARTS

**Barre de poussée M36x4 - Top link M36x4 - Oberlenker M36x4 -
Topstang M36x4 - Tercer punto M36x4**



	Ref.	Cat.	L1	L2			
6010, 6010SE, 6020, 6020SE, 6100, 6110, 6100SE, 6110SE, 6120, 6120SE, 6200, 6200SE, 6210, 6210SE, 6220, 6220SE, 6300, 6300SE, 6310, 6310SE, 6320, 6320SE, 6400, 6400SE, 6410, 6410S, 6410SE, 6420, 6420SE, 6500, 6506, 6510, 6510SE, 6520, 6600, 6610	26/700-67 (AL78065)	2	550 mm	735 mm	A = 300mm B = G / LH / L / IZ.	L = 280mm	A = 215mm B = 25,4mm C = D / RH / R / D D = 50,86 E = 89,92

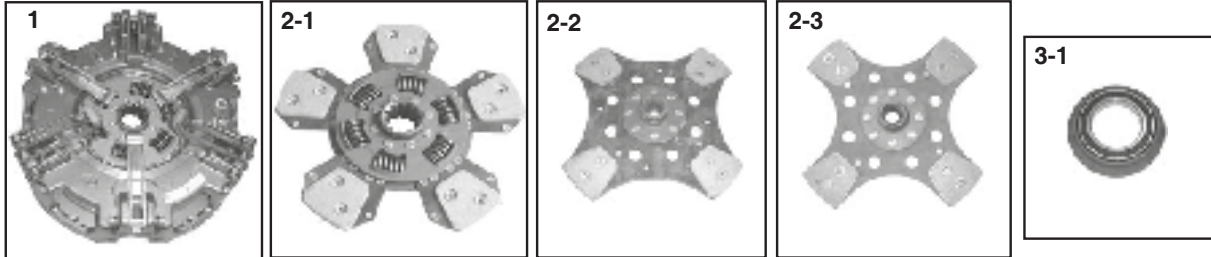
Les références des pièces sont indicatives.
Nos pièces ne sont pas d'origine.


Part numbers are quoted for reference purposes only.
Our parts and accessories are not original.



JOHN DEERE PARTS

Embrayages - Clutches - Kupplungen - Koppelingen - Embragues



	1		2		3
	Embrayage Clutch Kupplung Koppeling Embrague		Disque Plate Scheibe Rijplaat Disco		Butée de débrayage Release bearing Drucklager Drukklager Rodamiento
5300, 5300N, 5400, 5400N, 5500, 5500N	280/280 GU6	26/200-283 (AL120017, ER135120)	280 LG	26/221-283 (AL120108) TC-LS 12Z 34x40 2-1	26/231-283 45x75x16
			280 LM	26/212-283 (ER199071) UC-LR 13Z 19x22 2-2 Epaisseur plaquette 12mm Pads thickness 12mm Dike der Platten 12mm Dikte v.d platen 12mm Grosor de almohadilla 12mm	
5310, 5310N, 5410, 5410N, 5510, 5510N			280 LG	26/221-283 (AL120108) TC-LS 12Z 34x40 2-1	
			280 LM	26/212-284 (AL120118) UC-LR 13Z 19x22 2-3 Epaisseur plaquette 8mm Pads thickness 8mm Dike der Platten 8mm Dikte v.d platen 8mm Grosor de almohadilla 8mm	

GU6 = Commande indépendante, 6 doigts / Independent clutch, 6 levers / Unabhängiggeschaltet / Onafhankelijke bediening, 6 vingers / Independiente, 6 pastillas
LG = Friction d'avancement côté BV, montée / Main disc, transmission side, mounted / Fahrscheibe getriebeseitig, eingebaut / Rijplaat aan versnellingsbakzijde, ingebouwd / Disco principal, montado en lado transmisión
LM = Friction prise de force côté moteur, libre / PTO disc, engine side, loose / Zapfwelle Motorseitig, lose / Losse aftakasplaat aan motorzijde
LR = 4 paires de pastilles / 4 pairs of pads / 4 Paar Beläge / Met 4 paar pads / Con 4 pares de palas
LS = 5 paires de pastilles / 5 pairs of pads / 5 Paar Beläge / Met 5 paar pads / Con 5 pares de palas
TC = Cera-métallique à ressort / Spring cera-metallic / Cerasinter-Belag, gefedert / Sintmetaal met veren / Cerametalico con muelles
UC = Céra-métallique fixe / Fixed cera-metallic / Cerasinter-Belag, ungefedert / Sintmetaal vast, niet geveerd / Cerametalico sin muelles

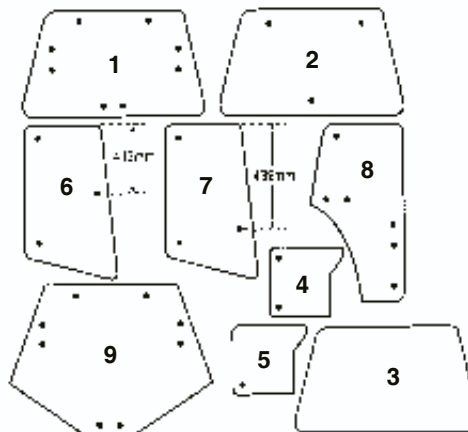
Les références des pièces sont indicatives.
Nos pièces ne sont pas d'origine.


Part numbers are quoted for reference purposes only.
Our parts and accessories are not original.



JOHN DEERE PARTS

Vitre de cabine - Cab glass - Kabinenscheiben - Kabineruiten - Cristal de cabina



	Fig.	Parts N°	OEM	Pos.	Specification		
SERIE 6000 SERIES <div style="border: 1px solid black; border-radius: 50%; width: 30px; height: 30px; display: flex; align-items: center; justify-content: center; margin: 10px auto;"> NEW </div>	1	26/4004-7	L78725	A	O-8H	1348x794x5	K/BLT
	2	26/4000-59	L78733	A	3H	1348x794x5	BLT
	3	26/4001-32	L112972	A		1348x794x5	GR
	4	26/4012-47	L78534	B	R-2H	620x480x5	T BLT
	5	26/4012-63	L114753	B	L-1H	620x480x5	
	4	26/4012-46	L78533	B	L-2H	620x480x5	
	5	26/4012-64	L114754	B	R-1H	620x480x5	
	6	26/4047-52	L78538	D	R-3H	760x433x5	
	7	26/4047-70	L113305	D	R-3H	760x433x5	
	6	26/4047-51	L78537	D	L-3H	760x433x5	
	7	26/4047-71	L113306	D	L-3H	760x433x5	
	8	26/4038-10	L77648	C	R-6H	1430x695x6	
	8	26/4039-10	L77647	C	L-6H	1430x695x6	
9	26/4072-60	L78727	F	8H	1250x760x6	K/BLT	

A = Pare-brise / Windscreen / Frontscheibe / Voornruit / Parabrisa
B = Avant bas / lower front / Vorne / Voornruit / Delantero inferior
C = Porte / Door / Türscheibe / Deur / Puerta
D = Latérale / Side / Seite / Zijkant / Lateral
F = Vitre arrière / Rear window / Hinten / Achteraan / Cristal trasero
1H = 1 Trou / 1 Hole / 1 Bohrung / 1 Gaat / 1 Agujero
2H = 2 Trous / 2 Holes / 2 Bohrungen / 2 Gaten / 2 Agujeros
3H = 3 Trous / 3 Holes / 3 Bohrungen / 3 Gaten / 3 Agujeros
6H = 6 Trous / 6 Holes / 6 Bohrungen / 6 Gaten / 6 Agujeros

8H = 8 Trous / 8 Holes / 8 Bohrungen / 8 Gaten / 8 Agujeros
O = Ouvrant / Opening / Öffnet / Schuifdak / Abatible
L = Gauche / Left / Links / Links / Izquierdo
R = Droite / Right / Rechts / Rechts / Derecho
T = Tintée / Tinted / Getönt / Getint / Tintado
BLT = Visser / Bolt on / Fest / Vast / con tornillos / Fijo
GR = Avec joint / Glazing rubber / Dichtung / Ruitrubbers / Con perfil
K = Avec butoir caoutchouc / Knock on rubber / Mit Gummi Einlage / Rubber inzetring / Con goma

Les références des pièces sont indicatives.
Nos pièces ne sont pas d'origine.

Part numbers are quoted for reference purposes only.
Our parts and accessories are not original.

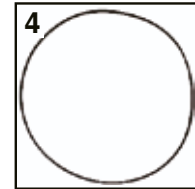
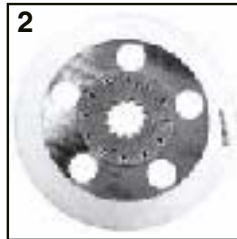



"THE RELIABLE SERVICE"



JOHN DEERE PARTS

Frein - Brake - Bremse - Remonderdeel - Freno



	Fig.	PART N°	OEM
3030, 3130	1	26/422-24 Ø305mm 15Z TK.: 11mm	AL68095
840, 940, 1040, 1140, 1350, 1550, 1640, 1750, 1750V, 1840, 1850, 1850F, 1850V, 1950, 1950F, 1950N, 2040, 2250, 2250F, 2450, 2450F, 2650, 2650F, 2850	2	26/422-25 Ø306mm 12Z TK.: 4,9mm	AL65872
6010, 6100(SE), 6101(SE), 6110(SE), 6200(SE), 6205, 6210(SE), 6300(SE), 6310(SE), 6400(SE), 6410(SE), 6505, 6506, 6510(SE), 6600, 6610(SE)	2	26/422-27 Ø313mm 14Z TK.: 4,9mm	AL111498 AL75434
6010, 6100(SE), 6101(SE), 6110(SE), 6200(SE), 6210(SE), 6300(SE), 6310(SE), 6400(SE), 6410(SE), 6506, 6510(SE), 6600, 6610(SE)	2	26/422-28 Ø313mm 14Z TK.: 5,9mm	AL112982
3040, 3140, 3340, 3640, 3640S	3	26/417-17 TK.: 50mm	L40395
840, 940, 1040, 1140, 1350, 1550, 1640, 1750, 1840, 1850, 1850F, 1950, 1950F, 1950N, 2040, 2040S, 2250, 2650, 2650F, 2650N, 2450, 2850	3	26/417-18 TK.: 41mm	L63944 L60890
3050, 3150, 3350, 3650	3	26/417-19 TK.: 48,5mm	L65164 L60889 L63946
1350, 1550, 1750, 1850, 1950, 1950N, 2250, 2450, 2650, 2650F, 2650N, 2850, 5200, 5300, 5400, 5400N, 5500, 5500N	4	26/416-13	L60888
3040, 3050, 3140, 3150, 3340, 3350, 3640, 3640S, 3650	4	26/416-14	L56245 L39941
1350, 1550, 1750, 1850, 1950, 1950N, 2250, 2450, 2650, 2650F, 2650N, 2850, 3040, 3050, 3140, 3150, 3340, 3350, 3640, 3640S, 3650, 5200, 5300, 5400, 5400N, 5500, 5500N, 6100(SE), 6101(SE), 6010, 6110(SE), 6200(SE), 6205, 6210(SE), 6300(SE), 6310(SE), 6400(SE), 6410(SE), 6505, 6506, 6510(SE), 6600, 6610(SE)	4	26/416-15	L56246 L39942

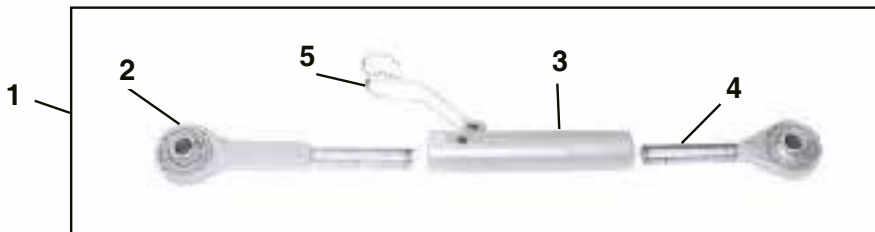
Les références des pièces sont indicatives.
Nos pièces ne sont pas d'origine.


Part numbers are quoted for reference purposes only.
Our parts and accessories are not original.

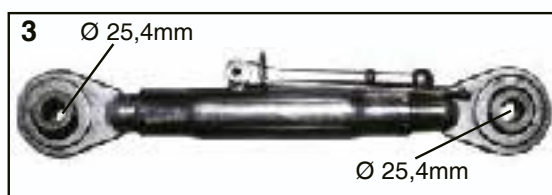
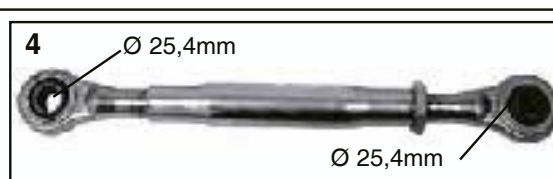
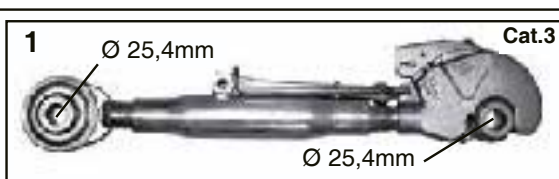



JOHN DEERE PARTS

Attelage - Linkage - Dreipunktgestange Hefstang - Enganche



	Fig.	PART N°	OEM
6010, 6100, 6101, 6110, 6200, 6205, 6210, 6300, 6310, 6400, 6410, 6505, 6506, 6510(SE), 6600, 6610	1	26/700-25	AL78064
	2	26/703-25	AL78072
	3	26/702-25	L78791
	4	26/701-25	AL78068
	5	26/702-26S	L56746



	Fig	Parts N°	Lg. Tube	Dim.	Thread
"6000" & "7000" Series	1	26/700-27	L=295mm	535mm → 810mm	M36
	2	26/700-28	L=370mm	635mm → 910mm	M36
	3	26/700-29	L=290mm	490mm → 570mm	M42
"5000" Series	4	26/700-30	L=295mm	545mm → 795mm	M36
"8000" Series	5	26/700-31	L=440mm	710mm → 995mm	M42

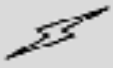







Les références des pièces sont indicatives.
Nos pièces ne sont pas d'origine.

Part numbers are quoted for reference purposes only.
Our parts and accessories are not original.



JOHN DEERE PARTS

Alternateur - Alternator - Drehstromlichtmaschine - Wisselstroomdynamo - Alternador

	Parts N°			
 6100, 6200, 6300, 6400 (116317⇒) 6100SE, 6200SE, 6300SE, 6400SE, 6506, 6600, 6800, 6900  2054, 2056, 2058, 2064, 2066, 2254, 2256, 2258	62/920-160 (AL81438)	14V / 120A		Ø2 L1 65x8 50
 6100, 6200, 6300, 6400 (⇒116316)	62/920-164 (AL78692)	14V / 120A Sans poulie Less poley Ohne Riemenscheibe Zonder poelie Sin polea		L1 56

Les références des pièces sont indicatives.
Nos pièces ne sont pas d'origine.

Part numbers are quoted for reference purposes only.
Our parts and accessories are not original.












"THE RELIABLE SERVICE"



JOHN DEERE PARTS

Démarrateurs avec réducteur - Starter motors with reducer - Anlasser mit Reduzierer - Startmotor met reductie - Motores de arranque con reductor

	Parts N°	OEM		 A x B  Z	
 3029, 4039, 4045D, 4239D, 4239T, 4276, 6059, 6068, 6329D, 6359D, 6359T, 2.9L PT, 4.5L PT	62/930-197	RE51725 RE52120 RE19737 RE49352	24V 4.0KW	2x105 Z10	220mm 
 4045D, 4045T, 6068D, 6068T, 6059D, 6059T, 2.9L PT, 4.5L PT, 6.8L PT  4400, 4500  1170	62/930-198	RE503093 RE504009 RE59010 RT7700040288 R116617 RE68783	12V 4,2KW Z10	3x127 Z10	205mm 
 Serie 6000  Power Tech 6.8L, 4.8L 4045DF270, 4045TF270	62/930-190	RE505744 RE507639 AL70852 AL81154	12V 4.2 KW	2x105 Z10	220mm 
 Séries 10, 20, 30, 40, 50 Series	62/930-178	AL11503 AL41247 AL62691 AL62773 AL78760 AL110503 AL110504	12 V 3 kW	2x105 Z10	195mm 
	62/939-67	Lanceur Drive ass. Ritzel Bendix Piñon	10 dents - 38 can. 10 teeth - 38 spli. 10 Zäh. - 38 Nut. 10 tand. - 38 tand. 10 dient. - 38 est.		
	62/940-67	Relais Solinoid Solinoide Relais Starrelais			

Les références des pièces sont indicatives.
Nos pièces ne sont pas d'origine.

Part numbers are quoted for reference purposes only.
Our parts and accessories are not original.



JOHN DEERE PARTS

Rétroviseur - Mirror - Spiegel - Spiegel - Retrovisor

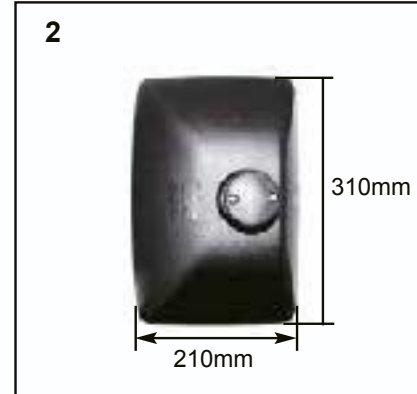
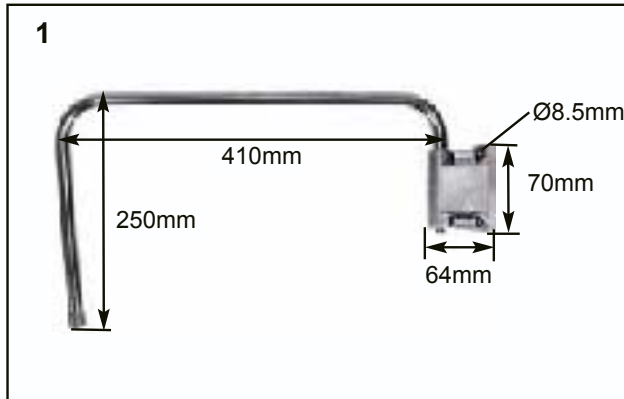






	Fig.	Part N°	OEM	
 5620, 5720, 5820, 6010SE, 6020SE, 6110, 6100, 6100SE, 6110SE, 6120, 6120SE, 6200, 6200SE, 6210, 6210SE, 6220, 6220SE, 6300, 6300SE, 6310, 6310SE, 6320SE, 6400, 6405, 6410, 6400SE, 6410SE, 6420SE, 6506, 6510, 6510SE, 6520, 6520SE, 6600, 6605, 6610, 6610SE, 6620, 6620SE, 6800, 6810, 6820, 6900, 6910, 6910S, 6920, 6920S	1	70/4172-32	AL77485	LH
		70/4172-33	AL77486	RH
 3200, 3215, 3220, 3400, 3415, 3420, 3800		70/4172-32	AL77485	LH
 5620, 5720, 5820, 6010SE, 6020SE, 6110, 6100, 6100SE, 6110SE, 6120, 6120SE, 6200, 6200SE, 6210, 6210SE, 6220, 6220SE, 6300, 6300SE, 6310, 6310SE, 6320SE, 6400, 6405, 6410, 6400SE, 6410SE, 6420SE, 6506, 6510, 6510SE, 6520, 6520SE, 6600, 6605, 6610, 6610SE, 6620, 6620SE, 6800, 6810, 6820, 6900, 6910, 6910S, 6920, 6920S	2	70/4172-203 NEW	AL78021	
 3200, 3215, 3220, 3400, 3415, 3420, 3800				

Les références des pièces sont indicatives.
Nos pièces ne sont pas d'origine.


Part numbers are quoted for reference purposes only.
Our parts and accessories are not original.



JOHN DEERE PARTS

Alternateur - Alternator - Drehstromlichtmaschine - Wisselstroomdynamo - Alternador



	Part N°	Oem	Remarque Observation Anmerkung Opmerking Observación
5620, 5720, 5820, 6010, 6010SE, 6020SE, 6110, 6110SE, 6120, 6120SE, 6210, 6210SE, 6220, 6220SE, 6310, 6310SE, 6320, 6320SE, 6410, 6410SE, 6420, 6420S, 6420SE, 6510, 6510SE, 6520, 6520SE, 6610, 6620, 6620SE, 6610SE, 6810, 6820, 6910, 6920, 6910S, 6920S, 7220, 7320, 7420, 7520 N.A 6120, 6110, 6205, 6210, 6220, 6310, 6310S, 6320, 6405, 6505, 6410, 6410S, 6420, 6510S, 6605,	62/920-163	AL114092 AL114093 AL111676	14V 120A

N.A = Amérique du nord / North America / Nordamerika / Noord-Amerika / América del norte

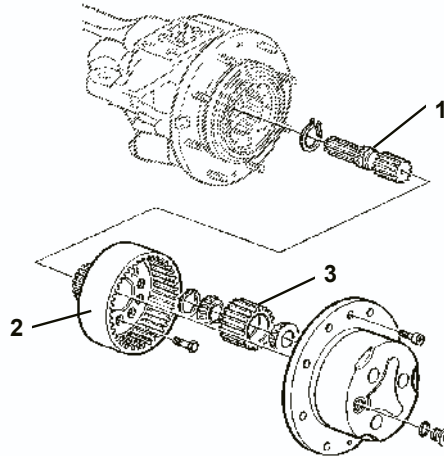
Les références des pièces sont indicatives.
Nos pièces ne sont pas d'origine.







Part numbers are quoted for reference purposes only.
Our parts and accessories are not original.



JOHN DEERE PARTS

Pont avant "ZF" - "ZF" front axle - Vorderachse ZF - Vooras ZF - Eje delantero ZF



	ZF	Fig.	Parts N°	Oem
 6100, 6200, 6200NA (⇒124984)		1	26/6406-24	L100167
		2	26/6430-21	L100166
		3	26/6431-19	L79728
 6100, 6200, 6200 NA (124985⇒) 6010, 6010SE, 6020, 6020SE, 6100SE, 6110, 6110NA, 6110SE, 6120, 6120NA, 6120SE, 6200SE, 6205, 6210, 6210NA, 6210SE, 6215, 6215NA, 6220, 6220NA, 6220SE, 6300SE, 6310, 6310SE, 6315NA, 6320SE, 6400SE, 6405NA, 6410, 6410SE, 6420SE, 6515	APL2025	1	26/6406-25	L110236
		2	26/6430-22	L110235
		3	26/6431-20	L110237
 3200, 3215, 3220 (Pont arrière / Rear axle / Hinten Welle / As achter / Puente trasero)				
 6300, 6300NA, 6400, 6400NA (⇒124984)	APL2035	1	26/6406-21	L79727
 6300, 6300NA, 6310, 6310NA, 6310S NA, 6400, 6400NA, 6405NA, 6410, 6410NA, 6410S NA, 6500NA, 6510S NA, 6403NA, 6603NA 6010, 6110, 6210, 6010SE, 6020, 6020SE, 6110SE, 6120, 6120SE, 6210SE, 6220, 6220SE, 6310SE, 6320, 6320SE, 6410SE, 6420, 6420SE (Vigneron / Narrow tractor / Weinbautraktor / Smalspoor tractor / Tractor estrecho)		2	26/6430-19	L79729
 3400, 3415, 3800 (Pont arrière / Rear axle / Hinten Welle / As achter / Puente trasero) 3200, 3215, 3220, 3415, 3420 (Pont avant / Front axle / Vorne Welle / As Voorruit / Puente delantero)				

NA = Amérique du nord/North America/Nordamerika/Noord-Amerika/América del norte

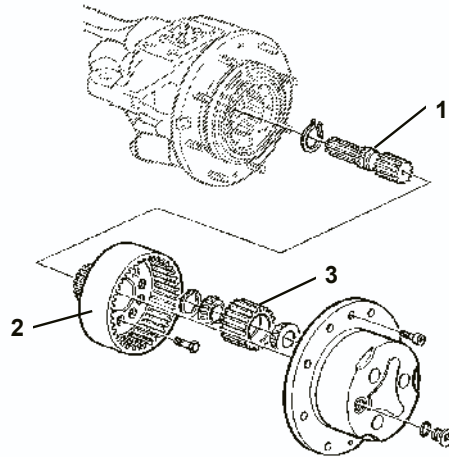
Les références des pièces sont indicatives.
Nos pièces ne sont pas d'origine.







Part numbers are quoted for reference purposes only.
Our parts and accessories are not original.



JOHN DEERE PARTS

Pont avant "ZF" - "ZF" front axle - Vorderachse ZF - Vooras ZF - Eje delantero ZF



	ZF	Fig.	Parts N°	Oem
 6300, 6300NA, 6400, 6400NA, 6500NA (124985⇒) 6310, 6310NA, 6310S NA, 6403NA, 6405NA, 6410, 6410NA, 6410S NA, 6510S NA, 6603NA 6010, 6010SE, 6020, 6020SE, 6110, 6110SE, 6120, 6120SE, 6210, 6210SE, 6220, 6220SE, 6310SE, 6320, 6320SE, 6410SE, 6420, 6420SE (Vigneron / Narrow tractor / Weinbautraktor / Smalspoor tractor / Tractor estrecho)	APL2035	1	26/6406-22	L110240
		3	26/6431-17	L100241 Except serie 3000
 3400, 3415, 3420, 3800 (Pont arrière / Rear axle / Hinten Welle / As achter / Puente trasero) 3200, 3215, 3220 (Pont avant / Front axle / Vorne Welle / As Voorruit / Puente delantero)				
 6505, 6506, 6510, 6510SE, 6520, 6600, 6605, 6610, 6610SE, 6620, 6800, 6810, 7405, 7500 7210, 7410 (052869⇒)		1	26/6406-23	L101650
 6505, 6506, 6510, 6510SE, 6515, 6520, 6520SE, 6600, 6605NA, 6610, 6610SE, 6615, 6620, 6715, 6800, 6810, 6820, 7220, 7320, 7405, 7500 7210, 7410 (052869⇒)	APL2045	2	26/6430-20	L101724
 3400, 3415, 3420 3800 (Pont avant / Front axle / Vorne Welle / As Voorruit / Puente delantero)				
 6506, 6600, 6800, 7500, 7405 6510, 6510SE, 6605, 6610, 6610SE, 6810 (⇒032313)		3	26/6431-18	L101725

NA = Amérique du nord/North America/Nordamerika/Noord-Amerika/América del norte

Les références des pièces sont indicatives.
Nos pièces ne sont pas d'origine.

Part numbers are quoted for reference purposes only.
Our parts and accessories are not original.



JOHN DEERE PARTS

Filtration - Filters - Filters - Filter - Filtros



	1		2	3	4	5
	Air / Air / Luftfilter Luchtfiter / Aire		Huile Oil Öl Olie Aceite	Combustible Fuel Kraftstoff Brandstof Combustible	Hydraulique Hydraulic Hydraulik Hydrauliek Hidráulico	Filtre de cabine Cab filter Kabineluftfilter Kabineluchtfiter Filtro aire de cabina
Serie 6000						
6100, 6100SE, 6200, 6200SE, 6300, 6300SE, 6400, 6400SE			60/97-7 (T19044)	60/111-26 (RE53400, RE62419) 60/111-85 (RE64449, RE62418)	60/641-247 (AL156625, AL77061) (2) 60/641-29 (RE34958 AL118036, AL151235) (34)	
6010, 6010SE, 6110, 6110SE, 6210, 6210SE, 6310, 6310SE, 6410, 6410SE	60/161-32 (AL78223)	60/162-32 (AL78224) (15)	60/97-85 (RE59754)	60/111-26 (RE53400, RE62419) 60/111-85 (RE64449, RE62418) 60/111-87 (RE517181) (4)	60/641-247 (AL156625 AL77061) (2) 60/641-29 (RE34958, AL118036, AL151235) (35) 60/641-30 (AL113475, AL112922, AL112936) 60/240-108 AL118321 Only 6410 (23)	60/4200-240 (AL119096, AL111748, AL115625) (16)

Les références des pièces sont indicatives.
Nos pièces ne sont pas d'origine.

Part numbers are quoted for reference purposes only.
Our parts and accessories are not original.




"THE RELIABLE SERVICE"



John Deere 7365 - 1


JOHN DEERE PARTS

	1 Air / Air / Luftfilter Luchfilter / Aire		2	3	4	5
	Ext. Out. Aussen Buiten Exterior	Int. Inn. Innen Binnen Interior	Huile Oil Öl Olie Aceite	Combustible Fuel Kraftstoff Brandstof Combustible	Hydraulique Hydraulic Hydraulik Hydrauliek Hidráulico	Filtre de cabine Cab filter Kabineluchfilter Kabineluchfilter Filtro aire de cabina
6020, 6120, 6220, 6320, 6420, 6420S, 6520, 6620	60/161-177 (AL150288) 1-1 60/161-178 (AL119839) 1-2 60/161-179 (AL150285) 6520, 6620, 6520SE, 6620SE only 1-3		60/97-88 (RE507522, RE504836, R502513)	60/111-26 (RE53400, RE62419) 60/111-86 (RE509031) (36) 60/111-87 (RE517181, RE509208) (4) 60/111-97 (AL153517, RE201034) (27) 60/111-240 (RE509032) Only 6520, 6620 (5)	60/240-107 (AL156624, RE558001) (2) Lght 113.5 60/240-108 (AL118321) (23) 60/641-29 (AL118036, RE34958) (38) 60/641-30 (AL113475, AL112922, AL112936) ⇒366729 (39) 60/641-31 (AL160771) 366730⇒ (23) 60/641-247 (AL156625, AL77061) (2) Lght 151.6	60/4200-240 (AL119096, AL111748, AL115625) except 6020 (16) 60/4200-241 (AL119095) except 6020 (18)
6020SE, 6120SE, 6220SE, 6320SE, 6420SE, 6520SE, 6620SE				60/111-26 (RE53400, RE62419) 60/111-87 (RE517181, RE509208) (4) 60/111-86 (RE509031) (36)	60/641-247 (AL156625, AL77061) (2) Lght 151.6 60/641-29 (AL118036, RE34958) (38)	60/4200-240 (AL119096, AL111748, AL115625) (16)
6205, 6505	60/161-32 (AL78223)	60/162-32 (AL78224)	60/97-85 (RE59754)		60/641-247 (AL156625, AL77061) (2) 60/641-30 (AL113475, AL112922, AL112936) (1) 60/111-26 (RE53400, RE62419) 60/111-85 (RE64449, RE62418)	
6215, 6515	60/161-177 (AL150288) 1-1 60/161-178 (AL119839) 1-2 60/161-179 (AL150285) 6515 only 1-3		60/97-88 (RE507522, RE504836, R502513)	60/111-26 (RE53400, RE62419) 60/111-85 (RE64449, RE62418)	60/641-30 (AL113475, AL112922, AL112936) ⇒366729 (1) 60/641-31 (AL160771) 366730⇒ (1) 60/641-247 (AL156625, AL77061) (2) Lght 151.6	
6405	60/161-240 (DQ24941)	60/162-240 (DQ24942)	60/97-85 (RE59754)	60/111-245 (DQ24057)	60/641-247 (AL156625, AL77061) (2) Lght 151.6 60/240-107 (AL156624, RE558001) (2) Lght 113.5	60/4200-240 (AL119096, AL111748, AL115625) (16)

Les références des pièces sont indicatives.
Nos pièces ne sont pas d'origine.

Part numbers are quoted for reference purposes only.
Our parts and accessories are not original.

JOHN DEERE PARTS


	1		2	3	4	5
	Air / Air / Luftfilter Luchtfiter / Aire		Huile Oil Öl Olie Accite	Combustible Fuel Kraftstoff Brandstof Combustible	Hydraulique Hydraulic Hydraulik Hydrauliek Hidráulico	Filtre de cabine Cab filter Kabineluchtfiter Kabineluchtfiter Filtro aire de cabina
	Ext. Out. Aussen Buiten Exterior	Int. Inn. Innen Binnen Interior				
6405 (North American)	60/161-32 (AL78223)	60/162-32 (AL78224)	60/97-85 (RE59754)	60/111-85 (RE64449, RE62418) 60/111-26 (RE53400, RE62419)	60/641-247 (AL156625, AL77061) (2) Lght 151.6 60/240-107 (AL156624, RE558001) (2) Lght 113.5 60/641-30 (AL113475, AL112922, AL112936) 256925⇒ (1)	60/4200-240 (AL119096, AL111748, AL115625) (16)
6506, 6600, 6800, 6900			60/97-7 (T19044)	60/111-85 (RE64449, RE62418) 60/111-26 (RE53400, RE62419)	60/641-247 (AL156625, AL77061) (2) Lght 151.6 60/641-29 (AL118036, RE34958) (34)	
6510, 6610	60/161-34 (AL78869)	60/162-34 (AL78870)		60/111-26 (RE53400, RE62419) 60/111-85 (RE64449, RE62418) 60/111-87 (RE517181) (4)	60/641-247 (AL156625, AL77061) (2) Lght 151.6 (40) 60/641-29 (AL118036, RE34958) (35) 60/641-30 (AL113475, AL112922, AL112936) 256925⇒ (1) 60/240-108 (AL118321) Only 6610 (20) 60/240-107 (AL156624, RE558001) (2) Lght 113.5	60/4200-240 (AL119096, AL111748, AL115625) (16) 60/4200-242 (AL158985, AL158991) (17) 60/4200-243 (AL71259) (18)
6510SE, 6610SE					60/641-247 (AL156625, AL77061) (2) Lght 151.6 60/240-107 (AL156624, RE558001) (2) Lght 113.5 60/641-30 (AL113475, AL112922, AL112936) 256925⇒ (1)	60/4200-240 (AL119096, AL111748, AL115625) (16)
6605	60/161-241 (DQ46907)	60/162-241 (DQ46908)		60/111-85 (RE64449, RE62418) 60/111-26 (RE53400, RE62419)	60/641-247 (AL156625, AL77061) (2) Lght 151.6 60/641-29 (AL118036, RE34958) 20781⇒	

Les références des pièces sont indicatives.
Nos pièces ne sont pas d'origine.

Part numbers are quoted for reference purposes only.
Our parts and accessories are not original.

John Deere 7365 - 3


JOHN DEERE PARTS

	1		2	3	4	5
	Air / Air / Luftfilter Luchtfiter / Aire		Huile Oil Öl Olie Aceite	Combustible Fuel Kraftstoff Brandstof Combustible	Hydraulique Hydraulic Hydraulik Hydrauliek Hidráulico	Filtre de cabine Cab filter Kabineluftfilter Kabineluchtfiter Filtro aire de cabina
	Ext. Out. Aussen Buiten Exterior	Int. Inn. Innen Binnen Interior				
6810, 6910, 6910S	60/161-34 (AL78869)	60/162-34 (AL78870)	60/97-85 (RE59754)	60/111-85 (RE64449, RE62418) 60/111-26 (RE53400, RE62419) 60/111-87 (RE517181) (4)	60/641-247 (AL156625 AL77061) (2)Lght 151.6 60/641-29 (AL118036, RE34958) (34) 60/240-108 (AL118321) (23) 60/240-107 (AL156624, RE558001) (2) Lght 113.5 Only 6910, 6910s	60/4200-240 (AL119096, AL111748, AL115625) (16) 60/4200-242 (AL158985, AL158991) (17)
6820, 6920, 6920S	60/161-177 (AL150288) 1-1 60/161-179 (AL150285) 1-3		60/97-88 (RE507522, RE504836, R502513)	60/111-85 (RE64449, RE62418) 60/111-26 (RE53400, RE62419) 60/111-240 (RE509032) (5)	60/641-247 (AL156625 AL77061) (2)Lght 151.6 60/641-29 (AL118036, RE34958) (1) 60/240-108 (AL118321) (23) 60/240-107 (AL156624, RE558001) (2) Lght 113.5	60/4200-240 (AL119096, AL111748, AL115625) (16) 60/4200-241 (AL119095) (18)
Serie 7000						
7020	60/161-242 (AR54404)	60/162-242 (AR61988)	60/97-20 (AR43634)	60/111-12 (AR50041)	60/240-2 (AR75603) (2)	60/4200-244 (AR61903, RE12793) (18) 60/4200-245 (RE67830) (21)
7200	60/161-32 (AL78223)	60/162-32 (AL78224)	60/97-7 (T19044)	60/111-26 (RE53400, RE62419)	60/240-107 (AL156624, RE55801) (19) 60/641-247 (AL156625 AL77061) (20) 60/641-10 (RE39527) (1)	60/4200-260 (RE24619) (18) 60/4200-252 (RE67829) (22) 60/4200-247 (RE199681) (17) 60/4200-246 (RE48882) (47) 60/4200-248 (RE151778) (22) 60/4200-249 (RE201745) (17)

Les références des pièces sont indicatives.
 Nos pièces ne sont pas d'origine.

Part numbers are quoted for reference purposes only.
 Our parts and accessories are not original.

JOHN DEERE PARTS

	1		2	3	4	5
	Air / Air / Luftfilter Luchfilter / Aire		Huile Oil Öl Olie Aceite	Combustible Fuel Kraftstoff Brandstof Combustible	Hydraulique Hydraulic Hydraulik Hydrauliek Hidráulico	Filtre de cabine Cab filter Kabineluftfilter Kabineluchfilter Filtro aire de cabina
	Ext. Out. Aussen Buiten Exterior	Int. Inn. Innen Binnen Interior				
7210, 7410, 7510	60/161-34 (AL78869)	60/162-34 (AL78870)	60/97-7 (T19044) (5) 60/97-85 (RE59754) (42)	60/111-85 (RE64449, RE62418) 60/111-26 (RE53400, RE62419)	60/641-247 (AL156625 AL77061) (20) 60/240-107 (AL156624, RE55801) except:7510 (19) 60/641-10 (RE39527) (1)	60/4200-260 (RE24619) (18) 60/4200-252 (RE67829) (22) 60/4200-246 (RE48882) (47) 60/4200-250 (RE71211) (48)
7220	60/161-177 (AL150288) 1-1 60/161-179 (AL150285) 1-3		60/97-88 (RE504836, RE507522)	60/111-85 (RE64449, RE62418) 60/111-97 (AL153517) (27)	60/641-247 (AL156625 AL77061) (2)Lght 151.6 60/641-29 (AL118036, RE34958) (1)	60/4200-240 (AL119096, AL111748, AL115625) (16) 60/4200-251 (L116025) (49)
7320				60/111-26 (RE62419, RE53400) 60/111-97 (AL153517) (27)	60/641-247 (AL156625 AL77061) (2)Lght 151.6 60/641-29 (AL118036, RE34958) (1) 60/641-31 (AL160771) 001594⇨	
7400	60/161-32 (AL78869)	60/162-32 (AL78870)	60/97-7 (T19044)	60/111-26 (RE62419, RE53400)	60/240-107 (AL156624, RE55801) (19) 60/641-10 (RE39527) (1) 60/641-247 (AL156625 AL77061) (20)	60/4200-260 (RE24619) (18) 60/4200-252 (RE67829) (22) 60/4200-247 (RE199681) (17) 60/4200-246 (RE48882) (47) 60/4200-248 (RE151778) (22) 60/4200-249 (RE201745) (17)

Les références des pièces sont indicatives.
Nos pièces ne sont pas d'origine.

Part numbers are quoted for reference purposes only.
Our parts and accessories are not original.




"THE RELIABLE SERVICE"



John Deere 7365 - 5


JOHN DEERE PARTS

	1		2	3	4	5
	Air / Air / Luftfilter Luchtfilter / Aire		Huile Oil Öl Olie Aceite	Combustible Fuel Kraftstoff Brandstof Combustible	Hydraulique Hydraulic Hydraulik Hydrauliek Hidráulico	Filtre de cabine Cab filter Kabineluftfilter Kabineluchfilter Filtro aire de cabina
	Ext. Out. Aussen Buiten Exterior	Int. Inn. Innen Binnen Interior				
7420, 7520	60/161-177 (AL150288) 1-1 60/161-179 (AL150285) 1-3		60/97-88 (RE504836, RE507522)	60/111-26 (RE62419, RE53400) 60/111-97 (AL153517) (27)	60/240-107 (AL156624, RE55801) Except 7420 (19) 60/240-108 (AL118321) ⇒001525 60/641-29 (AL118036, RE34958) (1) 60/641-31 (AL160771) (41) 60/641-247 (AL156625 AL77061) Except 7520 (20)	60/4200-240 (AL119096, AL111748, AL115625) (16) 60/4200-251 (L116025) (49)
7505	60/161-241 (DQ46907)	60/162-241 (DQ46908)	60/97-85 (RE59754)	60/111-26 (RE62419, RE53400) 60/111-245 (DQ24057) (45)	60/240-107 (AL156624, RE55801) (2) 60/641-10 (RE39527) (1)	60/4200-241 (AL119095) (18)
7600	60/161-30 (RE34962 RE67124) ou / or / oder / of / ó 60/161-34 (AL78869)	60/162-30 (RE34963) ou / or / oder / of / ó 60/162-34 (AL78870)	60/97-7 (T19044)	60/111-26 (RE62419, RE53400)	60/625-240 (AR103220) (27) 60/641-10 (RE39527) 2x (20)	60/4200-260 (RE24619) (18) 60/4200-252 (RE67829) (22) 60/4200-247 (RE199681) (17) 60/4200-246 (RE48882) (47) 60/4200-248 (RE151778) (22) 60/4200-249 (RE201745) (17)

Les références des pièces sont indicatives.
 Nos pièces ne sont pas d'origine.

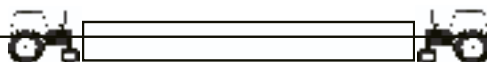
Part numbers are quoted for reference purposes only.
 Our parts and accessories are not original.

JOHN DEERE PARTS

	1		2	3	4	5
	Air / Air / Luftfilter Luchtfilter / Aire		Huile Oil Öl Olie Aceite	Combustible Fuel Kraftstoff Brandstof Combustible	Hydraulique Hydraulic Hydraulik Hydrauliek Hidráulico	Filtre de cabine Cab filter Kabineluftfilter Kabineluchtfilter Filtro aire de cabina
	Ext. Out. Aussen Buiten Exterior	Int. Inn. Innen Binnen Interior				
7610	60/161-30 (RE34962 RE67124)	60/162-30 (RE34963)	60/97-7 (T19044) (33) 60/97-85 (RE59754) (42)	 60/111-26 (RE62419, RE53400)	60/625-240 (AR103220) (27) 60/641-10 (RE39527) 2x (20)	60/4200-260 (RE24619) (18) 60/4200-252 (RE67829) (22)
7700	60/161-36 (RE34966 RE65880) ou / or / oder / of / ó 60/161-34 (AL78869)	60/162-36 (RE34967) ou / or / oder / of / ó 60/162-34 (AL78870)	60/97-17 (AR101278, RE46380, RE57394) RE46380, RE57394		60/625-240 (AR103220) (27) 60/641-10 (RE39527) (20)	60/4200-247 (RE199681) Only 7700 (17) 60/4200-246 (RE48882) (47) 60/4200-248 (RE151778) (22) 60/4200-249 (RE201745) (17)
7710, 7810	60/161-36 (RE34966, RE65880)	60/162-36 (RE34967)	60/97-17 (AR101278, RE46380, RE57394) ⇒089999 (42) 60/97-241 (RE509672) 090000⇒ (42)	60/111-27 (AR86745) ⇒089999 (46)	60/641-10 (RE39527) (20) 60/641-240 (RE161181) (41)	
7720 (North american)	60/161-243 (RE196945) 60/161-244 (RE181915)		60/97-88 (RE504836, RE507522)	60/111-240 (RE509032) (5) 60/111-249 (RE517180) (4)	60/641-241 (RE205726) (2) (20) 60/641-240 (RE161181) (2) (41) 60/641-242 (RE198381) (1) (20)	60/4200-253 (RE187966) (49) 60/4200-260 (RE24619) (18)


Les références des pièces sont indicatives.
Nos pièces ne sont pas d'origine.

Part numbers are quoted for reference purposes only.
Our parts and accessories are not original.



John Deere 7365 - 7

JOHN DEERE PARTS

	1		2	3	4	5
	Air / Air / Luftfilter Luchfilter / Aire		Huile Oil Öl Olie Aceite	Combustible Fuel Kraftstoff Brandstof Combustible	Hydraulique Hydraulic Hydraulik Hydrauliek Hidráulico	Filtre de cabine Cab filter Kabineluftfilter Kabineluchfilter Filtro aire de cabina
	Ext. Out. Aussen Buiten Exterior	Int. Inn. Innen Binnen Interior				
7800	60/161-36 (RE34966 RE65880) ou / or / oder / of / ó 60/161-34 (AL78869)	60/162-36 (RE34967) ou / or / oder / of / ó 60/162-34 (AL78870)	60/97-17 (AR101278, RE46380, RE57394)	60/111-29 (AR86755) 60/111-27 (AR86745)	60/625-240 (AR103220) (27) 60/641-10 (RE39527) (20)	60/4200-260 (RE24619) (18) 60/4200-252 (RE67829) (22) 60/4200-247 (RE199681) (17) 60/4200-246 (RE48882) (47) 60/4200-248 (RE151778) (22) 60/4200-249 (RE201745) (17)
7820, 7920 (North american)	60/161-243 (RE196945) 60/161-244 (RE181915)		60/97-88 (RE504836, RE507522) Except 7920 (42) 6.8L 60/97-242 (RE505743) (42) 60/97-241 (RE509672) (42) 8.1L	60/111-250 (RE522372) (8.1L) 60/111-240 (RE509032) (5) 60/111-249 (RE517180) (4) 60/111-252 (RE522688) 232463→ (24) 60/111-253 (RE522687) 232463→ (25)	60/641-241 (RE205726) Except 7920 (2) (20) 60/641-240 (RE161181) (2) (41) 60/641-242 (RE198381) Except 7920 (1) (20)	60/4200-253 (RE187966) (49) 60/4200-260 (RE24619) (18)

Les références des pièces sont indicatives.
 Nos pièces ne sont pas d'origine.

Part numbers are quoted for reference purposes only.
 Our parts and accessories are not original.

JOHN DEERE PARTS

	1		2	3	4	5
	Air / Air / Luftfilter Luchfilter / Aire		Huile Oil Öl Olie Aceite	Combustible Fuel Kraftstoff Brandstof Combustible	Hydraulique Hydraulic Hydraulik Hydrauliek Hidráulico	Filtre de cabine Cab filter Kabineluftfilter Kabineluchfilter Filtro aire de cabina
	Ext. Out. Aussen Buiten Exterior	Int. Inn. Innen Binnen Interior				
Serie 8000						
8100, 8110, 8200, 8210, 8300, 8310, 8400, 8410	60/161-151 (RE51629)	60/162-151 (RE51630)	60/97-17 (AR101278, RE46380, RE57394)	60/111-27 (AR86745) + 60/111-29 (AR86755) (26)	60/625-240 (AR103220) Except 8400, 8410 (27) 60/641-16 (RE51797) (1) 60/641-243 (RE152658, RE174130) Only 8110, 8210, 8310, 8410 (1)	60/4200-254 (R119168) (18) 60/4200-255 (RE67828) (22) 60/4200-256 (RE219782) (18) 60/4200-257 (RE165044) Only 8110, 8210, 8310, 8410 (49)
8120, 8220, 8320, 8420, 8520 (North american)	60/161-245 (RE164839)	60/162-243 (RE172447)	60/97-241 (RE509672)	60/111-252 (RE522688) 232463⇒ (24) 60/111-253 (RE522687) 232463⇒ (25)	60/625-240 (AR103220) only 8420 (27)(28) 60/641-243 (RE152658, RE174130) (1)	60/4200-253 (RE187966) (49) 60/4200-260 (RE24619) (18) 60/4200-252 (RE67829) (22)
8430	60/161-152 (9677, AR70106)	60/162-152 (9678, AR70107)	60/97-20 (AR43634)	60/111-12 (AR50041) + 60/111-29 (AR86755) (26)	60/240-2 (AR75603) ⇒005625 (2) 60/240-3 (AR94510, AR98098) 005626⇒ (2)	
8440, 8640	60/161-150 (AR80652) ou / or / oder / of / ó	60/162-150 (AR80653) ou / or / oder / of / ó	60/97-20 (AR43634) (8640) ⇒04123 (42) 60/97-17 (RE57394) (42) 60/97-243 (RE21748, AR98330) Only 8640 (29)		60/240-3 (AR94510, AR98098) (2)	60/4200-244 (AR61903, RE12793) (18) 60/4200-245 (RE67830) (22)
8630	60/161-152 (9677, AR70106)	60/162-152 (9678, AR70107)	60/97-20 (AR43634) ⇒040123 (42) 60/97-17 (RE57394) 040124⇒ (42) 60/97-243 (RE21748, AR98330) (29)	60/111-27 (AR86745, RE57073)	60/240-2 (AR75603) ⇒007636 (2) 60/240-3 (AR94510, AR98098) 007637⇒ (2)	

Les références des pièces sont indicatives.
Nos pièces ne sont pas d'origine.

Part numbers are quoted for reference purposes only.
Our parts and accessories are not original.




"THE RELIABLE SERVICE"



John Deere 7365 - 9


JOHN DEERE PARTS

	1		2	3	4	5
	Air / Air / Luftfilter Luchfilter / Aire		Huile Oil Öl Olie Aceite	Combustible Fuel Kraftstoff Brandstof Combustible	Hydraulic Hydraulic Hydraulik Hydrauliek Hidráulico	Filtre de cabine Cab filter Kabineluchfilter Kabineluchfilter Filtro aire de cabina
	Ext. Out. Aussen Buiten Exterior	Int. Inn. Innen Binnen Interior				
8450, 8650, 8850	60/161-152 (9677, AR70106) 60/161-246 (AR95758) Only 8850	60/162-152 (9678, AR70107) 60/162-244 (AR95759) Only 8850	60/97-17 (AR101278, RE46380, RE57394) (42) 60/97-243 (RE21748, AR98330) Only 8650 (29)	60/111-27 (AR86745, RE57073)	60/240-240 (AR99661, AR99406, RE27916) (2)	60/4200-244 (AR61903, RE12793) (18) 60/4200-245 (RE67830) (22)
8560 (North american)	60/161-152 (9677, AR70106)	60/162-152 (9678, AR70107)	60/97-17 (AR101278, RE46380, RE57394) (42)	60/111-27 (AR86745, RE57073)	60/641-244 (RE38965) (1) (30) (31) 60/641-245 (RE38987) ⇒001623 (2) 60/641-246 (RE43231, AT112393) 001624⇒ (1) (30) (31)	60/4200-260 (RE24619) (18) 60/4200-252 (RE67829) (22)
8570					60/641-244 (RE38965) (1) (30) (31) 60/641-246 (RE43231, AT112393) (1) (30) (31)	

Les références des pièces sont indicatives.
 Nos pièces ne sont pas d'origine.

Part numbers are quoted for reference purposes only.
 Our parts and accessories are not original.

JOHN DEERE PARTS

	1		2	3	4	5
	Air / Air / Luftfilter Luchfilter / Aire		Huile Oil Öl Olie Aceite	Combustible Fuel Kraftstoff Brandstof Combustible	Hydraulique Hydraulic Hydraulik Hydrauliek Hidráulico	Filtre de cabine Cab filter Kabineluftfilter Kabineluchfilter Filtro aire de cabina
	Ext. Out. Aussen Buiten Exterior	Int. Inn. Innen Binnen Interior				
8760, 8960 (North american)	60/161-246 (AR95758)	60/162-244 (AR95759)	60/97-243 (RE21748, AR98330) Only 8760 (29) 60/97-245 (RE42051) ⇒002527 Only 8960 (29) 60/156-3 (RE42052) Only 8960 (32) 60/97-246 (RE21058) Only 8760 (42) Only 8760 (43) Only 8960 (29) ⇒002527	60/111-27 (AR86745, RE57073) 60/111-254 (RE160384, RE42050) only 8960 (26)	60/641-244 (RE38965) (1) (30) (31) 60/641-245 (RE38987) ⇒002481 (8760) ⇒001690 (8960) (2) 60/641-246 (RE43231, AT112393) 002482⇒ (8760) 001691⇒ (8960) (1) (30) (31)	60/4200-260 (RE24619) (18) 60/4200-252 (RE67829) (22)
8770, 8870, 8970	60/161-246 (AR95758)	60/162-244 (AR95759)	60/156-3 (RE42052) Only 8970 (32)	60/111-27 (AR86745, RE57073) 60/111-255 (AR94650) (32) 60/111-254 (RE160384, RE42050) only 8970 (26)	60/641-244 (RE38965) (1) (30) (31) 60/641-246 (RE43231, AT112393) (1) (30) (31)	60/4200-260 (RE24619) (18) 60/4200-252 (RE67829) (22)
Téléscopique / Telescopic handler / Teleskoplader / Verreikers / Carretillas elevadora telescópica						
	1		2	3	4	5
	Air / Air / Luftfilter Luchfilter / Aire		Huile Oil Öl Olie Aceite	Combustible Fuel Kraftstoff Brandstof Combustible	Hydraulique Hydraulic Hydraulik Hydrauliek Hidráulico	Filtre de cabine Cab filter Kabineluftfilter Kabineluchfilter Filtro aire de cabina
	Ext. Out. Aussen Buiten Exterior	Int. Inn. Innen Binnen Interior				
3200, 3400	60/161-247 (AZ55542)	60/162-154 (AZ55541)	60/97-85 (RE59754)	60/111-85 (RE62418) 60/111-26 (RE62419)		60/4200-258 (Z70719) 60/4200-259 (Z73971)
3215, 3220, 3415, 3420				60/111-87 (RE517181) (4) 60/111-86 (RE509031) (5)	60/641-30 (AL113475, AL112922, AL112936) (2)	
3800	60/161-248 (AZ59702)	60/162-121 (AZ59703)	60/97-88 (RE504836)	60/111-87 (RE517181) 203117⇒ (4) 60/111-86 (RE509031) 203117⇒ (5) 60/111-26 (RE62419) ⇒203116		

Les références des pièces sont indicatives.
Nos pièces ne sont pas d'origine.

Part numbers are quoted for reference purposes only.
Our parts and accessories are not original.



"THE RELIABLE SERVICE"



John Deere 7365 - 11


JOHN DEERE PARTS


1	Hydraulique / Hydraulic / Hydraulik / Hydraulisch / Hidráulico
2	Transmission / Transmission / Antrieb / Transmissie / Transmisión
3	Auxiliaire / Auxiliary / Zusätzlich / Extra / Auxiliar
4	Primaire / Primary / Primär / Primair / Primario
5	Secondaire / Secondary / Sekundär / sekundär / Secundario
16	Filtre à pollen / Pollen filter / Pollenfilter / Pollenfilter / Filtro antipolen
17	Filtre à charbon actif / Activated carbon filter / Aktiv Kohlenfilter / Actieve koolfilter / Filtro con carbón activo
18	Version standard / Standard version / Standard Version / Standaard versie / Versión Estandar
19	Synchroplus
20	Powerquad
21	Renforcé / Heavy duty / verstärkte Ausführung / Versterkt / Reforzado
22	Haut rendement / High efficiency / Hochleistungsfaehig / Hoog rendement / Alta eficiencia
23	Avec boîte Autopower / With autopower transmission / Mit Autopower Getriebe / Met autopower transmissie / Con transmisión autopower
24	2 micron
25	10 micron
26	Avec séparateur d'eau / With water separator / Mit Wasserabscheider / Met waterafscheider / Con separador de agua
27	Pre-filtre de carburant / Fuel filter / Treibstofffilter / Brandstofffilter / Prefiltro de combustible
28	Version CIS / CIS version / CIS Version / CIS versie / Versión CIS
29	Moteur huile By pass / By pass oil engine / By pass motor olie / By pass motor olie / Derivación aceite de motor
30	Boîte syncro 12 vitesses / 12 speed sychromesch / 12 Gänge synchronisiert / gesynchroniseerde 12 versnellingsbak / Caja de 12 velocidades sincronizadas
31	Boîte powersyncro 24 vitesses power shift / Powersynchro 24 Gänge Power shift / Powersynchro 24 versnellingen Power shift / Cambio sincronizado "Powershift" de 24 velocidades
32	Liquide froid / Colling liquid / Kalte Flüssigkeit / Koelvloeistof / Líquido refrigerante
33	Version exportation / Exportation version / Export Version / Export versie / Versión exportación
34	Avec pompe hydr. 40 cm ³ / With hyd. pump 40cm ³ / Mit Hydr. pompe 40cm ³ / Met Hydr. pomp 40cm ³ / Con bomba hid. 40cm ³
35	Transmission avec pompe hydraulique 40 cm ³ / Transmission with hydraulic pump 40 cm ³ / Antrieb mit hydraulikpumpe 40cm ³ / Transmissie met hydraulische pomp 40 cm ³ / Transmisión con bomba hidráulica 40 cm ³
36	Moteur évolution II (97/68/EC) / With engine stage II acc. 97/68/EC / Mit Motor Stufe II nach 97/68/EC / Met motor niveau II volgens / Con motor nivel II según norma 97/68/EC
38	Avec pompe hydraulique (25/41cm ³) / With hydraulic pump (25/41cm ³) / Mit hydraulischer Pumpe (25/41cm ³) / Met hydraulisch pomp (25/41cm ³) / Con bomba hidráulica (25/41cm ³)
39	Avec pompe hydraulique (23/27cm ³) / Avec pompe hydraulique (23/27cm ³) / With hydraulic pump (23/27cm ³) / Mit hydraulischer Pumpe (23/27cm ³) / Met hydraulische pomp (23/27cm ³) / Con bomba hidráulica (23/27cm ³)
40	Avec pompe hydraulique (25/40cm ³) / Avec pompe hydraulique (25/40cm ³) / With hydraulic pump (25/40cm ³) / Mit hydraulischer Pumpe (25/40cm ³) / Met hydraulische pomp (25/40cm ³) / Con bomba hidráulica (25/40cm ³)
41	Boîte IVT / Gear box IVT / IVT Getriebe / Versnellingsbak IVT / Caja de cambios IVT
42	Huile moteur / Oil motor / Motoröl / Motorolie / Aceite de motor
43	Haut débit / Full-flow / Hoher Absatz / Hoog debiet / Alto flujo
44	Nettoyage / Cleaning / Reinigung / Reiniging / Limpieza
45	Préfiltre / Prefilter / Vorfilter / Voorfilter / Prefiltro de aire
46	Filtre à mazout / Fuel filter / Kraftstoff-filter / Brandstofffilter / Filtro de combustible
47	Système d'admission d'air / System of admision of air / Luftzulassungssystem / Luchttoelatingssysteem / Sistema de admisión de aire
48	Application spécial / Special aplicacion / Spezial Anwendung / Speciale toepassing / Aplicación especial
49	Avec climatisation / With air conditioning / Mit Klimaanlage / Met airconditioning / Con aire acondicionado


Les références des pièces sont indicatives.
 Nos pièces ne sont pas d'origine.

Part numbers are quoted for reference purposes only.
 Our parts and accessories are not original.

JOHN DEERE PARTS

Réf.	Ø x H L x l x H	
60/97-7	97 x 140	13/16" - 16
60/97-17	128 x 175	1 1/2" -12
60/97-20	127 x 174	1 1/2" -16
60/97-85	94 x 146	1 1/2" -16
60/97-88	93 x 150	
60/97-241		
60/97-242		
60/97-243	118 x 260	1 3/8" -16
60/97-244	121x295	1 3/4" -12
60/97-245	118 x 260	1 3/8" -16
60/97-246	118 x 260	1 1/2" -12
60/156-3	94 x 105	11/16" - 16
60/111-12	126x94x80	
60/111-26	128x83x69	
60/111-27	128x94x83	
60/111-29	126x94x85	
60/111-85	102x83x69	
60/111-86		
60/111-87	153x83x69	
60/111-97	50 x 121	
60/111-240		
60/111-241	97x172	13/16" - 12
60/111-242		
60/111-243		
60/111-244		
60/111-245		
60/111-249		
60/161-30	312x237x131	
60/161-32	235 x310	
60/161-34	312x287x225	
60/161-36	385x237x131	
60/161-150	492x231x133	
60/161-151	385x282x147	
60/161-152	508x264x153	
60/161-177	300x 40	

Réf.	Ø x H L x l x H	
60/161-178	320x185	
60/161-179	320x285	
60/161-240		
60/161-241		
60/161-242	175x352x190	
60/161-243		
60/161-244		
60/161-246	483x307x196	
60/161-247	375x158x98	
60/161-248		
60/162-30	300x135x96	
60/162-62	227x92x61	
60/162-34	130x238x117	
60/162-36	374x135x96	
60/162-150	398x131x103	
60/162-151	377x151x112	
60/162-152	457x151x123	
60/162-240		
60/162-241		
60/162-242	148x174x108	
60/162-243	276x174x134	
60/162-244	457x194x153	
60/162-154	360x88x72	
60/162-121	385x108x92	
60/240-2	134x117x56	
60/240-3	198x117x56	
60/240-107	114x94	1 3/8" -12
60/240-108		
60/240-240	199x140x67	
60/625-240	94x51	5/8" -24
60/641-10	240x97	1 3/8" -12
60/641-16	362x121	1 3/4" -12
60/641-29	240x97	1 3/8" -12
60/641-30	208x79x43	
60/641-31		

Réf.	Ø x H L x l x H	
60/641-240		
60/641-241		
60/641-242		
60/641-243	362x121	1 3/4" -12
60/641-244	295x121	1 3/4" -12
60/641-245	295x121	1 3/4" -12
60/641-246	295x121	1 3/4" -12
60/4200-240		
60/4200-241		
60/4200-242		
60/4200-243		
60/4200-244	711x190x72	
60/4200-245	711x190x72	
60/4200-246		
60/4200-247		
60/4200-248		
60/4200-249		
60/4200-250		
60/4200-251		
60/4200-252		
60/4200-253		
60/4200-254		
60/4200-255		
60/4200-256		
60/4200-257		
60/4200-258		
60/4200-259		

Les références des pièces sont indicatives.
 Nos pièces ne sont pas d'origine.

Part numbers are quoted for reference purposes only.
 Our parts and accessories are not original.



"THE RELIABLE SERVICE"






John Deere 7365 - 13

JOHN DEERE PARTS

Feux arrière - Rear side light - Rückleuchte - Breedtelicht - Piloto trasero



	Part N°	OEM	Description - Description - Beschreibung - Omschrijving Descripción
 5605, 5615, 5705, 5715, 6010, 6010SE, 6100, 6100SE, 6110, 6110SE, 6200, 6200SE, 6210, 6210SE, 6300, 6300SE, 6310, 6310SE, 6400, 6400SE, 6405, 6410, 6410SE, 6506, 6510, 6510SE, 6600, 6605, 6610, 6610SE, 6800, 6810, 6900, 6910, 6910S 7505, 7600, 7610, 7700, 7710, 7800, 7810, 8100, 8200, 8300, 8400	26/1912-170	AL112012 AL112964 AL77138	Ampoules 12V-21W et 12V21/5W Bulbs 12V-21W and 12V21/5W Gloeilampe 12V-21W und 12V21/5W Glühlampen 12V-21W en 12V21/5W Bombillas 12V-21W y 12V21/5W
 3200, 3215, 3220, 3400, 3415, 3420, 3800			
 1170, 2054, 2056, 2058, 2064, 2066, 2254, 2256, 2258, 2264, 2266, 2266A, 9540, 9560, 9580, 9640, 9660, 9680, 9780, 9880			

Les références des pièces sont indicatives.
Nos pièces ne sont pas d'origine.

Part numbers are quoted for reference purposes only.
Our parts and accessories are not original.



"THE RELIABLE SERVICE"



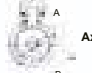




JOHN DEERE PARTS

Démarrreur - Starter motor - Anlasser - Startmotor - Motor de arranque



Avec réducteur
With reducer
Mit Reduzierer
Met reductie
Con reductor

	Part N°	OEM				
Serie 6000 Power Tech 6.8L, 4.8L 4045DF270, 4045TF270	62/930-190	RE505744 RE507639 AL70852 AL81154	10 Z	10mm (A) x 125 mm (B)	220mm	4.2 KW 12V


Les références des pièces sont indicatives.
Nos pièces ne sont pas d'origine.

*Part numbers are quoted for reference purposes only.
Our parts and accessories are not original.*



JOHN DEERE PARTS

Arbre de PDF - PTO Shaft - PTO Welle - PTO Aftakas - Eje de TDF

	Part N°	OEM	
3030, 3040, 3050, 3120, 3130, 3135, 3140, 3150, 3340, 3350, 3650	26/303-102	T28672	<p>Lg. 290mm NEW 1000 RPM</p>  <p>21Z 16Z 6Z</p>
	26/303-22		<p>Lg. 290mm 1000 RPM</p>  <p>21Z 16Z 21Z</p>

Les références des pièces sont indicatives.
Nos pièces ne sont pas d'origine.



Part numbers are quoted for reference purposes only.
Our parts and accessories are not original.



JOHN DEERE PARTS

**Phare de travail - Work light - Arbeitsscheinwerfer -
Werklamp - Faro de trabajo**



	Part N°	OEM	Description - Description Beschreibung - Omschrijving - Descripción
 5220, 5320, 5420, 5520, 5620, 5720, 5820, 6120, 6220, 6320, 6420, 6420S, 6520, 6620, 6820, 6920, 6920S, 7220, 7320, 7420, 7520	26/1931-36	AL150478 AL119291	Ampoule H3 12V 55W Bulb H3 12V 55W Gloeilamp H3 12V 55W Glühlamp H3 12V 55W Bombilla H3 12V 55W
 3215, 3220, 3415, 3420, 3800			

Les références des pièces sont indicatives.
Nos pièces ne sont pas d'origine.



Part numbers are quoted for reference purposes only.
Our parts and accessories are not original.



JOHN DEERE PARTS

**Alternateur - Alternator - Drehstromlichtmaschine -
Wisselstroomdynamo - Alternador**



	Parts N°	Oem	Remarque Observation Anmerkung Opmerking Observación
 6100, 6200, 6300, 6400 (116317⇒) 6100SE, 6200SE, 6300SE, 6400SE, 6506, 6600, 6800, 6900	62/920-160	AL81438	14V 120A
 2054, 2056, 2058, 2064, 2066, 2254, 2256, 2258			

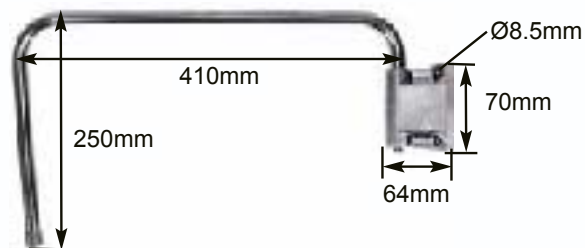
Les références des pièces sont indicatives.
Nos pièces ne sont pas d'origine.




Part numbers are quoted for reference purposes only.
Our parts and accessories are not original.



JOHN DEERE PARTS

**Bras de rétroviseur - Mirror arm - Spiegel arm -
Spiegelsteun - Brazo retrovisor**



	Fig.	Part N°	OEM	
 Serie 6000	1	70/4172-32	AL77485	LH
		70/4172-33	AL77486	RH
 3200, 3400, 3800		70/4172-32	AL77485	LH

Les références des pièces sont indicatives.
Nos pièces ne sont pas d'origine.


Part numbers are quoted for reference purposes only.
Our parts and accessories are not original.



JOHN DEERE PARTS

Pompe d'alimentation - Fuel pump - Kraftstoffförderpumpe -
Opvoer pomp - Bomba de gas-oil



	Part N°	OEM
6010, 6010SE, 6020, 6100, 6100SE, 6110, 6110SE, 6120, 6200, 6200SE, 6205, 6210, 6210SE, 6215, 6220, 6300, 6300SE, 6310, 6310SE, 6320, 6400, 6400SE, 6410, 6410SE, 6420, 6505, 6506, 6510, 6510SE, 6600, 6610, 6610SE, 6800, 6810, 6900, 6910	26/100-90	AL78405 AL81173 AL113125

Les références des pièces sont indicatives.
Nos pièces ne sont pas d'origine.


Part numbers are quoted for reference purposes only.
Our parts and accessories are not original.



JOHN DEERE PARTS

Vérin à gaz - Gas strut - Gascilinder - Gasfedern - Amortiguador



	Part N°	OEM	Description - Description - Omschrijving - Beschreibung - Descripción
SE6010, SE6020, 6100, SE6100, 6110, SE6110, 6120, SE6120, 6200, SE6200, 6210, SE6210, 6220, SE6220, 6300, SE6300, 6310, SE6310, 6320, SE6320, 6400, SE6400, 6410, SE6410, 6420, 6420S, SE6420, 6506, 6510, SE6510, 6520, SE6520, 6600, 6610, SE6610, 6620, 6800, 6810, 6820, 6900, 6910, 6910S, 6920, 6920S	26/871-47	AL75479 AL82634	Toit - Roof - Dak - Dach - Techo

Les références des pièces sont indicatives.
Nos pièces ne sont pas d'origine.

*Part numbers are quoted for reference purposes only.
Our parts and accessories are not original.*

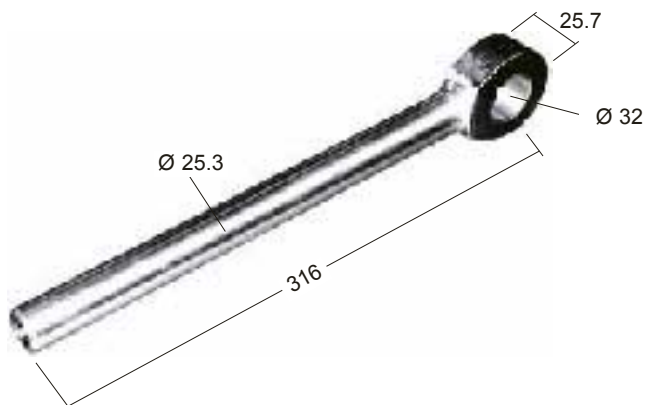



"THE RELIABLE SERVICE"



JOHN DEERE PARTS


Tige de vérin de direction - Steering cylinder stem - Stuurcilinderstang -
Lenkungszylinderstiel - Vástago del cilindro de dirección



	Part N°	OEM
7200, 7400 7600, 7700, 7800 7610, 7710, 7810 8100, 8200, 8300, 8400	26/581-42	R158652 R123988 R119268

Kit de joints vérin de direction - Steering cylinder seal kit - Stuurcilinder dichtingsset-
Lenkhelperszylinder Dichtungssatz- Juego de retenes del cilindro de dirección



	Part N°	OEM
1640, 2040, 2040S, 2140, 3040, 3140 3340 (⇒ 115159) 2250, 2450, 2650, 2850, 3050, 3350	26/585-17	AL33039

Les références des pièces sont indicatives.
Nos pièces ne sont pas d'origine.

Part numbers are quoted for reference purposes only.
Our parts and accessories are not original.




"THE RELIABLE SERVICE"



JOHN DEERE PARTS

Tuyau d'échappement - Exhaust pipe - Uitlaatdemper -
Schalldämpfer - Tubo de escape



	Part N°	OEM	Description - Description - Omschrijving - Beschreibung - Descripción
6100, 6200, 6300, 6400 (143102) SE6100, SE6200, SE6300, SE6400, 6010, 6110, 6210, 6310, 6410, SE6010, SE6110, SE6210, SE6310, SE6410, 6205	26/166-19	L102236	Email noir - Black enamel - Zwart email - Schwarze Emaille - Esmaltado negro

Les références des pièces sont indicatives.
Nos pièces ne sont pas d'origine.

Part numbers are quoted for reference purposes only.
Our parts and accessories are not original.



"THE RELIABLE SERVICE"



JOHN DEERE PARTS

Démarrreur - Starter motor - Startmotor - Anlasser - Motor de arranque








1



2



3

	Fig.	OEM	Part N°		 A x B	 z	 L
Séries 10, 20, 30, 40, 50 Series	1	AL11503 AL41247 AL62691 AL62773 AL78760 AL110503 AL110504 AR70437 AT23401 RE60384 RE500733	62/930-178 Avec réducteur With reducer Met reductie Mit Reduzierung Con reductor	12 V - 3 kW	2 x 105 mm	10 z	195 mm
John Deere USA 3020, 4030, 4040, 4240, 4320, 4430, 4520, 4620, 4630, 4640, 4840, 5720, 5730, 5820, 5830, 6030, 7020, 8430, 8440, 8450, 9500	2		62/930-143	12 V - 4 kW	3 x 127 mm	10 z	230 mm
John Deere USA Moteur PowerTech Motor	3	RE68470	62/930-179	12 V - 2.8 kW	2 x 105 mm	10 z	235 mm

Les références des pièces sont indicatives.
Nos pièces ne sont pas d'origine.

Part numbers are quoted for reference purposes only.
Our parts and accessories are not original.

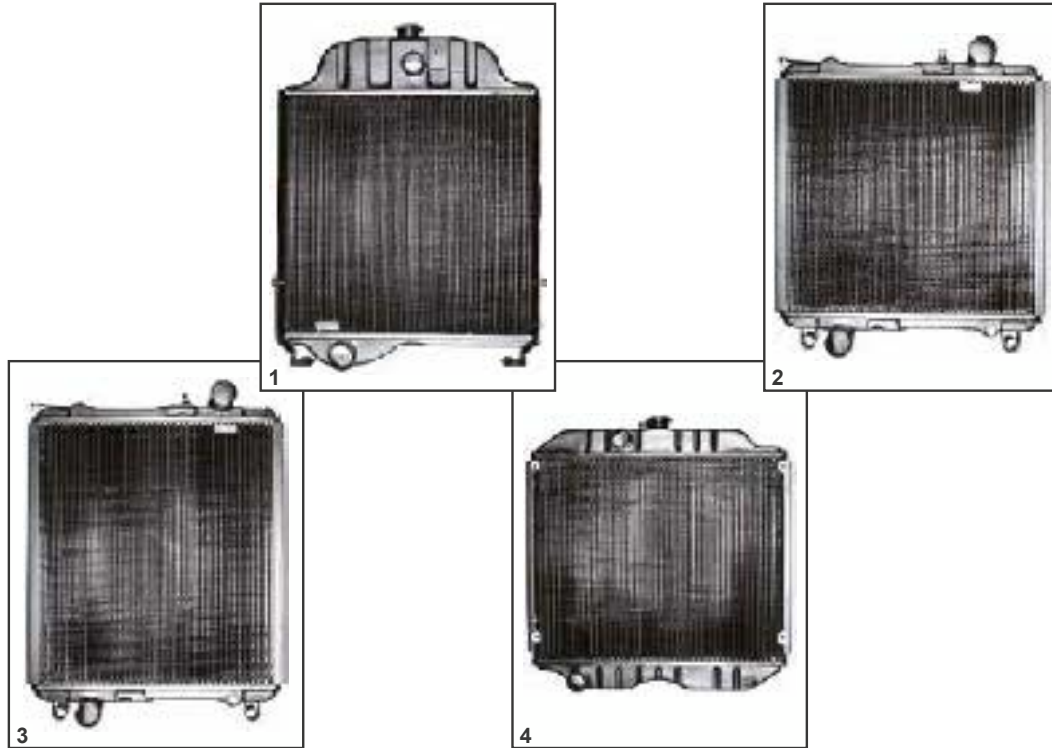



"THE RELIABLE SERVICE"



JOHN DEERE PARTS

Radiateurs - Radiators - Radiatoren - Kühler - Radiadores



	Fig.	Part N°	OEM
820, 920, 1020, 1120 (⇒ 075429), 930VU, 1030, 1030VU, 1030OU, 1035, 1035EF, 1035EV, 1630VU, 1635EV (⇒ 066531)	1	26/150-102	AT20797
1850 (622000 ⇒), 1850F, 1950, 1950F, 1950N	2	26/150-103	AL59532, AL67563, AL60715
2250, 2250F, 2450, 2450F, 2650, 2650F, 2650N, 2850	3	26/150-104	AL66774
5200, 5300, 5300N, 5400, 5400N	4	26/150-105	RE66029, RE45611

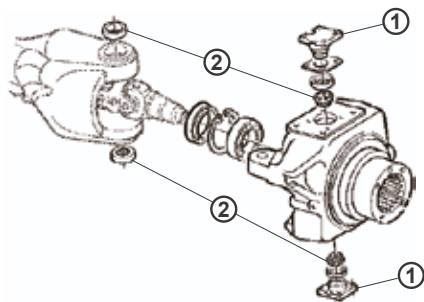
Les références des pièces sont indicatives.
Nos pièces ne sont pas d'origine.


Part numbers are quoted for reference purposes only.
Our parts and accessories are not original.



JOHN DEERE PARTS

Pièces d'avant-train - Front axle parts - Voorasdelen -
Vorderachsteile - Piezas para el eje delantero



	1	2
6010, 6010SE, 6100, 6100SE, 6110, 6110SE, 6200, 6200SE, 6210, 6210SE, 6300, 6300SE, 6310, 6310SE, 6400, 6400SE, 6410, 6410SE, 6205 6506, 6510, 6600, 6610, 6800, 6810, 6505	26/6450-23 (AL79901)	26/6451-22 (T188397, T151074)
6900		26/6451-32 (AL111096, AT117348)
7600, 7610, 7700, 7710, 7800, 7810, 8100, 8110, 8200, 8210, 8300, 8310, 8400, 8410		26/6451-33 (AR94761, R72090)

Les références des pièces sont indicatives.
Nos pièces ne sont pas d'origine.

Part numbers are quoted for reference purposes only.
Our parts and accessories are not original.



"THE RELIABLE SERVICE"



JOHN DEERE PARTS


Pompe à eau - Water pump - Waterpomp - Wasserpumpe - Bomba de agua



	Part N°	OEM
4040 (⇒ 471012), 3050, 3150, 3350, 3650	26/130-195	AR79882 RE26927 RE31600

Radiateur - Radiator - Radiateur - Kühler - Radiador



	Part N°	OEM
7600, 7610, 7700, 7710, 7800, 7810	26/150-71	RE63188 RE50311

Les références des pièces sont indicatives.
Nos pièces ne sont pas d'origine.

Part numbers are quoted for reference purposes only.
Our parts and accessories are not original.




"THE RELIABLE SERVICE"



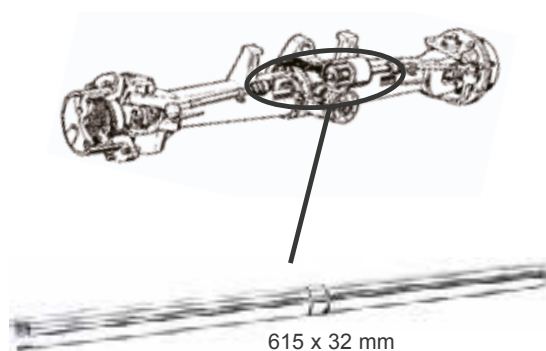
JOHN DEERE PARTS


Arbres de relevage hydraulique - Hydraulic lift shafts -
Hefassen - Hubwelle - Ejes alzamiento hidráulico



	Fig.	Ref.	OEM
6010, 6100, 6110, 6200, 6205, 6210, 6300, 6310, 6400, 6410, 6505, 6506, 6510, 6600, 6610	1	26/685-10	L152475
6800, 6810, 6900, 6910, 6910S, 7200, 7400	2	26/685-11	R126709 R111550

Tige de vérin - Cylinder stem - Cilinderstang - Zylinderstiel - Vástago del cilindro



	Ref.	OEM
1640, 2040, 2040S (450000 ⇨), 1840, 2140 (000274 ⇨), 2650 (⇨ 724195), 2250, 2450, 2650	26/581-39	L40211

Les références des pièces sont indicatives.
Nos pièces ne sont pas d'origine.

*Part numbers are quoted for reference purposes only.
Our parts and accessories are not original.*

JOHN DEERE PARTS


Echappements - Silencers - Uitlaatdempers - Schalldämpfer - Silenciosos





1



2

	Fig.	Ref.	OEM
6100, 6100SE, 6010, 6010SE	1	26/165-154	AL78007
6110, 6110SE, 6200, 6200SE, 6205, 6210, 6210SE, 6300, 6300SE, 6310, 6310SE, 6400, 6400SE, 6410, 6410SE	2	26/165-141	AL113991 AL78267

Arbre de prise de force - PTO Shaft - As PTO - Welle PTO - Eje de TDF

	Ref.	OEM	Description - Description - Omschrijving - Beschreibung Descripción
840, 940, 1040, 1140, 1640, 2040, 2040S, 2140 1350, 1550, 1750, 1850, 1850F, 1950, 1950F, 1950F, 2250, 2250F, 2450, 2450F, 2650, 2650F, 2650N, 2850	26/303-99	L34193	

Les références des pièces sont indicatives.
Nos pièces ne sont pas d'origine.

Part numbers are quoted for reference purposes only.
Our parts and accessories are not original.

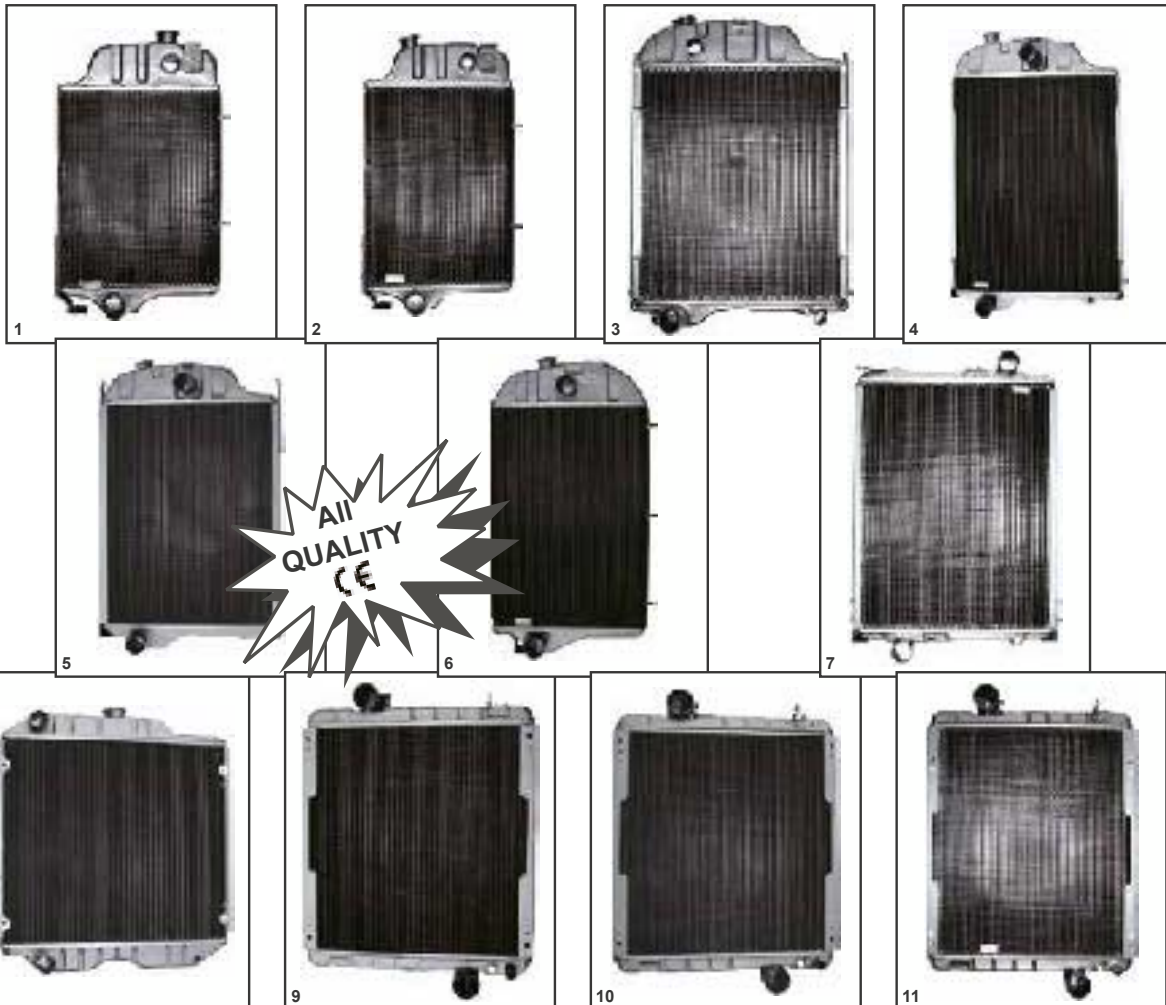



"THE RELIABLE SERVICE"



JOHN DEERE PARTS


Radiateurs - Radiators - Radiatoren - Kühler - Radiadores



	Fig.	Part N°	OEM
820, 920, 1020, 1120 (075430 ⇒) 830, 930, 1030, 1130, 1630 930VU, 1030VU, 1030OU, 1035, 1035EF, 1035EV, 1630VU, 1635EV (066532 ⇒)	1	26/150-37	AT20849
840, 940, 1040, 1140 (481900 ⇒) - 1040V, 1140F, 1140V (117314 ⇒) 1350, 1550, 1750, 1850 (⇒ 621999) - 1750V, 1850, 1850F, 1850V	2	26/150-63	AL39290
2250, 2450, 2650, 2650N, 2850 (⇒ 669788) 2450F, 2650F (⇒ 165978)	3	26/150-66	AL56372
3040, 3140 3340 (118151 ⇒)	4	26/150-64	AL37566 AL31238
3050, 3150, 3350	5	26/150-67	AL56375
3030, 3120, 3130, 3135	6	26/150-65	AT26474 AL24115
3050, 3350 (⊗ 660813 ⇒) (⊙ 664560 ⇒) 3150, 3350 - 3650 (664560 ⇒)	7	26/150-70	AL66766
5500, 5500N	8	26/150-68	RE62841
6100, 6100SE, 6200, 6200SE (192066 ⇒)	9	26/150-75	AL115731 AL115002
6300, 6300SE, 6400, 6400SE (192066 ⇒)	10	26/150-69	AL115732 AL116668
7200, 7210, 7400, 7510	11	26/150-72	RE165030


JOHN DEERE PARTS

Coussinets de bielle - Connecting rod bearings - Drijfstanglagersets - Pleuellager - Juego de cojinetes de biela

Moteurs / Tracteurs Engines / Tractors	Ref.	OEM	
4-276D, 4-045D, 4-276T, 4-045T, 6-414D, 6-068D, 6-414T, 6-068T	26/3-65 (La paire <i>The pair</i>)	AR97517 AR69098	77.8 mm
6400, 6500, 6510, 6700 (4-045T (300 series)); 6800, 6900, 7210, 7400, 7410, 7600, 9400 (6-068T (300 series))			




Injecteurs - Inj. nozzles - Verstuivers - Düsen - Toberas

	Ref.	OEM	N° du nez - Nozzle N° - N° verstuiver - N° Einspritzdüse - N° inyector
4840	26/117-141	AR73638	DLLA155S681 0433271895
4050E, 4240S, 4250, 4350, 4430, 4440	26/117-142	AR74668	DLLA155S713 0433271883
4230, 4240	26/117-143	AR86888	DLLA158S766 0433271864




Filtre à combustible - Fuel filter - Brandstofffilter - Kraftstoff-Filter - Filtro de combustible

	Ref.	OEM
Power Tech 2.9L, 4.5L, 6.8L	60/111-61	RE60021



Arbre 6 can. - Shaft 6 gr. - As 6 groeven - Welle 6 Nuten - Eje 6 est.

	Ref.	OEM
Série 20, 30, 35, 40, 50 serie	26/303-98	T30803



Les références des pièces sont indicatives.
Nos pièces ne sont pas d'origine.

Part numbers are quoted for reference purposes only.
Our parts and accessories are not original.




"THE RELIABLE SERVICE"





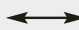

JOHN DEERE PARTS

Stabilisateur - Stabiliser - Stabilisator - Stabilisator - Estabilizador

	Ref.
Série 6000 serie	26/740-51K




Rotule (pont "Dana") - Tie rod ("Dana" axle) - kogeleind (vooras "Dana") - Kugelgelenk (Dana -Achse) - Rotula (Eje Dana)

	Ref.	OEM			
6910, 6910S	26/495-176	AL116022	F 28 x 1.5 RH	225 mm	29 x 32




Raclette d'essuie-glace - Wiper blade - Ruitenwisserblad - Scheibenwischerblatt - Escobilla del limpia-parabrisas



	Ref.	OEM
6010SE, 6100(SE), 6110(SE), 6200(SE), 6210(SE), 6300(SE), 6310(SE), 6400(SE), 6410(SE), 6506, 6510(SE), 6600, 6610(SE), 6800, 6810, 6900, 6910(S), 7600, 7700, 7800, 8100, 8200, 8300, 8400, 8570, 8770, 8870, 8970	70/1987-34	RE24201 TY16306

Interrupteur de démarrage "cold climat" - Starter switch "cold climat" - Startschakelaar "cold climat" - Startschalter "cold climat" - Interruptor arranque "cold climat"

	Ref.	OEM
Série 30, 40, 50 Serie	26/950-42	AL62707 + L34972

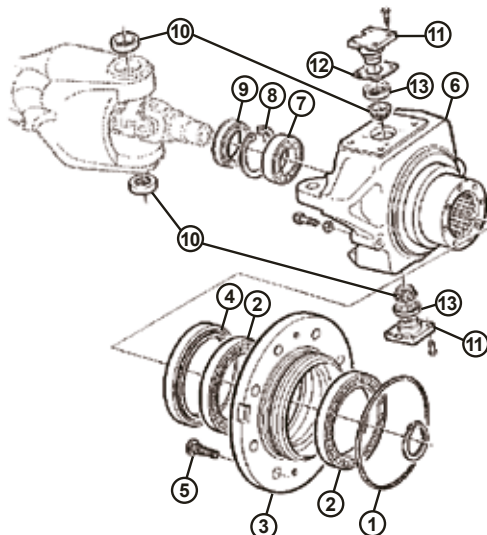




Les références des pièces sont indicatives.
Nos pièces ne sont pas d'origine.

Part numbers are quoted for reference purposes only.
Our parts and accessories are not original.

JOHN DEERE PARTS

Pont avant - Front axle - Vooras - Vorderachse - Eje delantero



	1	2	3	4	5	6	7
6100(SE), 6200(SE), 6300SE, 6400SE	26/6413-5 (L40317)	26/6410-36 (JD10249, AL110350)	26/450-22 (L100238)	26/6408-36 (AL79950)	26/446-29 (L112112, L55598)	26/6400-11 (L100234) LH	26/6410-37 (R115119)
6010(SE), 6110(SE), 6205, 6210(SE), 6300, 6310(SE), 6400, 6410(SE)						26/6400-12 (L100233) RH	
	26/6400-13 (L100236) LH	26/6400-14 (L100235) RH					
	8	9	10	11	12	13	
6010(SE), 6100(SE), 6110(SE), 6200(SE), 6205, 6210(SE), 6300(SE), 6310(SE), 6400(SE), 6410(SE)	26/6434-21 (40M5099)	26/6407-19 (AL79951)	26/6451-22 (AL79901)	26/6450-23 (T151074)	26/6453-31 (0.2mm) (L100102) 26/6453-32 (0.3mm) (L100103) 26/6453-33 (0.4mm) (L100104) 26/6453-34 (0.6mm) (L100105) 26/6453-35 (0.8mm) (L100106) 26/6453-36 (1.0mm) (L100107) 26/6453-37 (1.6mm) (L100109) 26/6453-38 (2.0mm) (L100111)	26/6425-5 (AL79902)	

Les références des pièces sont indicatives.
Nos pièces ne sont pas d'origine.


Part numbers are quoted for reference purposes only.
Our parts and accessories are not original.



ZF PARTS

Pont avant "ZF" - "ZF" front axle - Vooras ZF - Vorderachse ZF - Eje ZF



	ZF	Kits 1 + 2 + 3
Case IH Ford New Holland John Deere	APL 325	72/6428-1 KT
	APL 330	72/6428-2 KT
	APL 335	72/6428-3 KT
	APL 345	72/6428-4 KT
	APL 350	72/6428-5 KT
	APL 1251	72/6428-6 KT
	APL 1351	72/6428-7 KT
	APL 1551	72/6428-8 KT
	APL 1552	72/6428-9 KT
	APL 3054	72/6428-10 KT

Les références des pièces sont indicatives.
Nos pièces ne sont pas d'origine.

Part numbers are quoted for reference purposes only.
Our parts and accessories are not original.



JOHN DEERE PARTS

Groupe multi-disques - frein, embrayage, PTO, transmission, HI-LO -
Multi-plates - brake, clutch, PTO, transmission, HI-LO -
Multi-platen - rem, drukgroep, aftakas, transmissie, HI-LO -
Mehr Scheiben Ausführung - Bremse, Kupplung, Zapfwelle, Antrieb, HI-LO -
Multi-discos - freno, embrague, TDF, transmisión, HI-LO
Séries 40, 50, 55, 6000, 7000, 8000 series

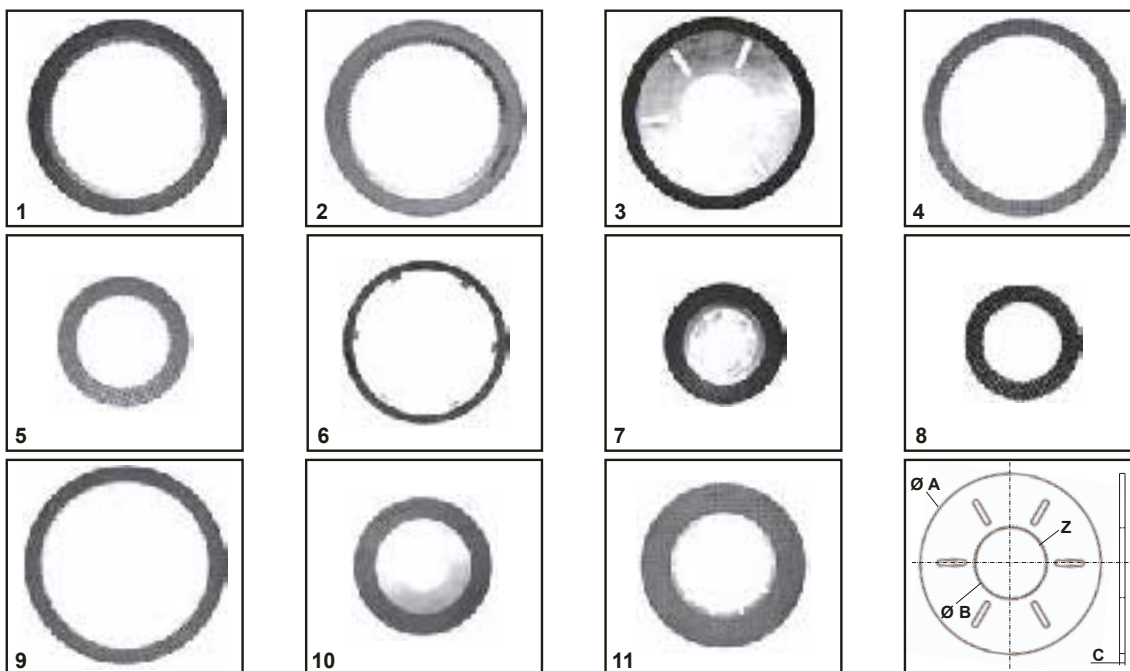


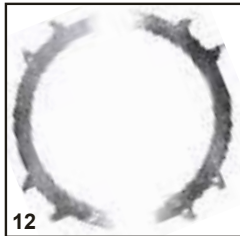
Fig.	Ref.	OEM	Z	Ø A mm	Ø B mm	C mm
1	26/317-31	RE34784	87	292	219	3.4
2	26/317-32	RE151059	87	292	219	5.2
3	26/317-33	RE34786	54	285.2	112.6	3.3
4	26/317-34	RE48092	95	295.2	239.9	3
5	26/317-35	RE23286	42	197.2	130.5	3.5
6	26/317-36	RE33706	6	242	198	4.5
7	26/317-37	RE65324	39	178	60.6	4.6
8	26/317-38	AR94516	54	177.8	112.8	2.9
9	26/317-39	AR94515	104	323	262.7	3.3
10	26/317-40	RE62896	39	178	60.6	4.6
11	26/317-41	RE35512	50	224.9	125	3.6

Les références des pièces sont indicatives.
Nos pièces ne sont pas d'origine.

Part numbers are quoted for reference purposes only.
Our parts and accessories are not original.



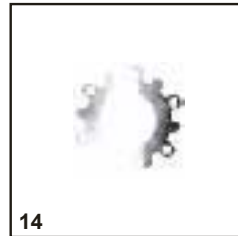
JOHN DEERE PARTS



12



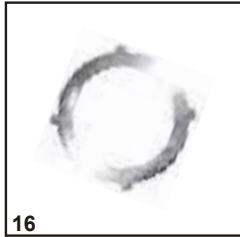
13



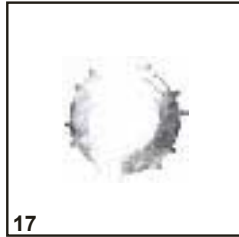
14



15



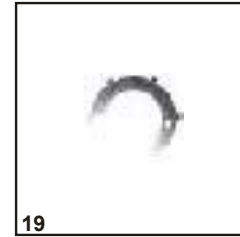
16



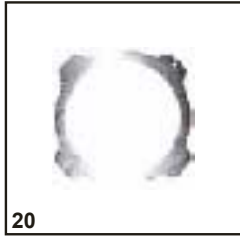
17



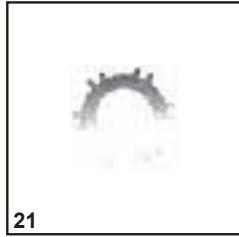
18



19



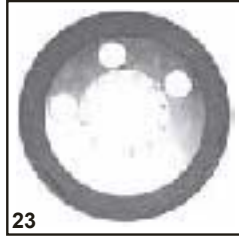
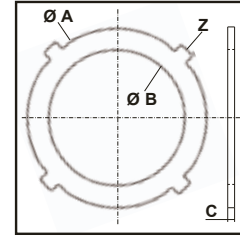
20



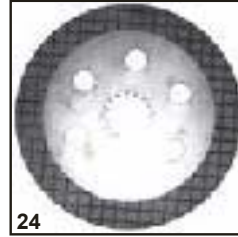
21



22



23



24

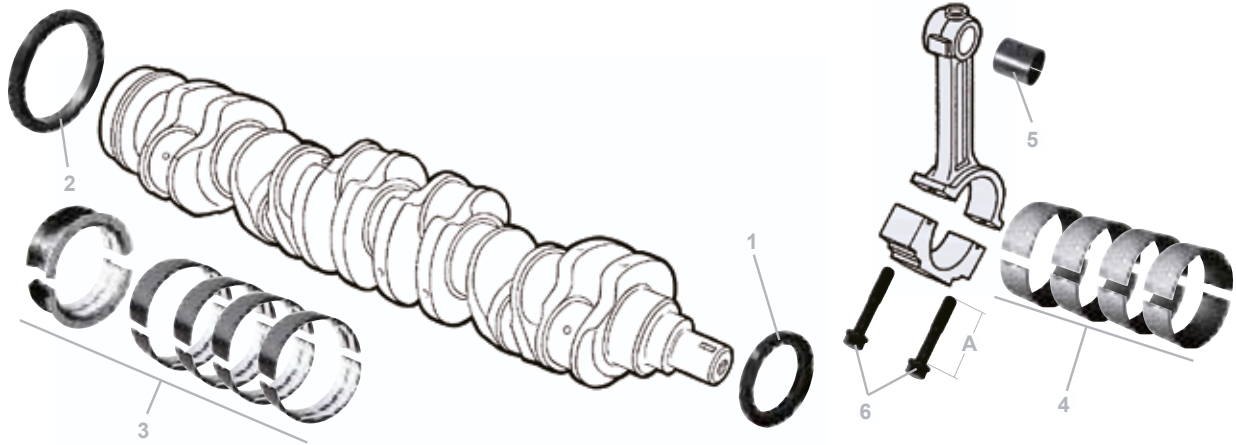
Fig.	Ref.	OEM	Z	Ø A mm	Ø B mm	C mm
12	26/316-31	R86308	8	360	271	3
13	26/316-32	R135537	4	370	269.5	4.8
14	26/316-33	R95211	12	233.8	113.6	4.8
15	26/316-34	R95378	8	330	247	6
16	26/316-35	R96791	4	304	213	7
17	26/316-36	R96805	12	251	140	7
18	26/316-37	R96806	6	277	135	7
19	26/316-38	R107264	6	194.2	117	4.8
20	26/316-39	R114215	4	333.9	238	4
21	26/316-40	R116894	12	215.7	118	3
22	26/316-41	R95313	4	333.9	238	4
23	26/422-84	AL112982	14	313	43.4	5.9
24	26/422-85	RE160072	15	334.5	57.5	7.8

Les références des pièces sont indicatives.
Nos pièces ne sont pas d'origine.

Part numbers are quoted for reference purposes only.
Our parts and accessories are not original.

JOHN-DEERE PARTS

Moteur POWER TECH - POWER TECH engine - POWER TECH motor



					1	2	3
6010	4045 D	34.9 mm	106.5 mm	4	26/11-40 RE59810	26/13-11S RE24959	26/2-82 4 x RE65165 1 x RE65168 (STD)
6110, 6205, 6210, 6310, 6410	4045 T	41.1 mm					26/2-82 A 4 x RE65911 1 x RE65912 (0.10")
6505, 6510	6068 D	34.9 mm		6			26/2-83 6 x RE65165 1 x RE65168 (STD)
6610, 6810, 6910	6068 T	41.1 mm					26/2-83 A 6 x RE65911 1 x RE65912 (0.10")
					4	5	6
6010	4045 D	34.9 mm	106.5 mm	4	26/3-81 4 x RE65908 (STD)	26/28-30 R123960	26/26-12 R114083 A : 64 mm
6110, 6205, 6210, 6310, 6410	4045 T	41.1 mm			26/3-81 A 4 x RE65909 (0.10")	26/28-31 R114082	
6505, 6510	6068 D	34.9 mm		6	26/3-82 6 x RE65908 (STD)	26/28-30 R123960	
6610, 6810, 6910	6068 T	41.1 mm			26/3-82 A 6 x RE65909 (0.10")	26/28-31 R114082	

Les références des pièces sont indicatives.
Nos pièces ne sont pas d'origine.

Part numbers are quoted for reference purposes only.
Our parts and accessories are not original.



"THE RELIABLE SERVICE"



JOHN-DEERE PARTS

Moteur POWER TECH - POWER TECH engine - POWER TECH motor

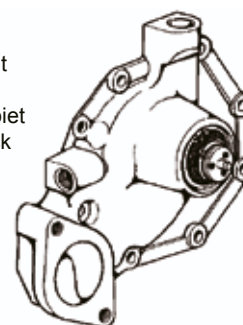


					1	2	3	4	5
6010	4045 D	34.9 mm	106.5 mm	4	26/31-180 RE65966	26/33-180 RE59279	26/34-180 RE66271	26/35-180 R116383	26/37-5 AR65507
6110, 6205, 6210, 6310, 6410	4045 T	41.1 mm			26/31-181 RE65969	26/33-181 RE55512	26/34-150 RE66820		
6505, 6510	6068 D	34.9 mm	6	26/31-180 RE65966	26/33-180 RE59279	26/34-180 RE66271			
6610, 6810, 6910	6068 T	41.1 mm		26/31-181 RE65969	26/33-181 RE55512	26/34-150 RE66820			

Pompe à eau - Water pump - Waterpomp - Wasserpumpe - Bomba agua

		OEM
Moteur Power Tech Power Tech engine Power Tech motor	26/130-211	RE500734 RE500737 RE70683 RE70985

Haut débit
High flow
Hoog debiet
Hochdruck
Alto flujo

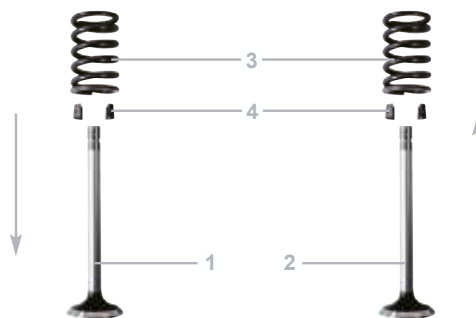


Les références des pièces sont indicatives.
Nos pièces ne sont pas d'origine.

Part numbers are quoted for reference purposes only.
Our parts and accessories are not original.

JOHN-DEERE PARTS

Moteur POWER TECH - POWER TECH engine - POWER TECH motor



					1	2	3	4
6010	4045 D	34.9 mm	106.5 mm	4	26/42-150 R98062	26/43-150 R90692	26/45-10 R26125	26/46-10 R91889
6110, 6205, 6210, 6310, 6410	4045 T	41.1 mm						
6505, 6510	6068 D	34.9 mm		6				
6610, 6810, 6910	6068 T	41.1 mm						



					1	2	3
6010	4045 D	34.9 mm	106.5 mm	4	26/143-14 AR48675 82°C	26/117-133 RE60062	26/15-6 T20088 (142 Z)
6110, 6205, 6210, 6310, 6410	4045 T	41.1 mm				26/117-48 RE48786	
6505, 6510	6068 D	34.9 mm		6		26/117-133 RE60062	26/15-20 R28811 (129 Z)
6610, 6810, 6910	6068 T	41.1 mm				26/117-48 RE48786	

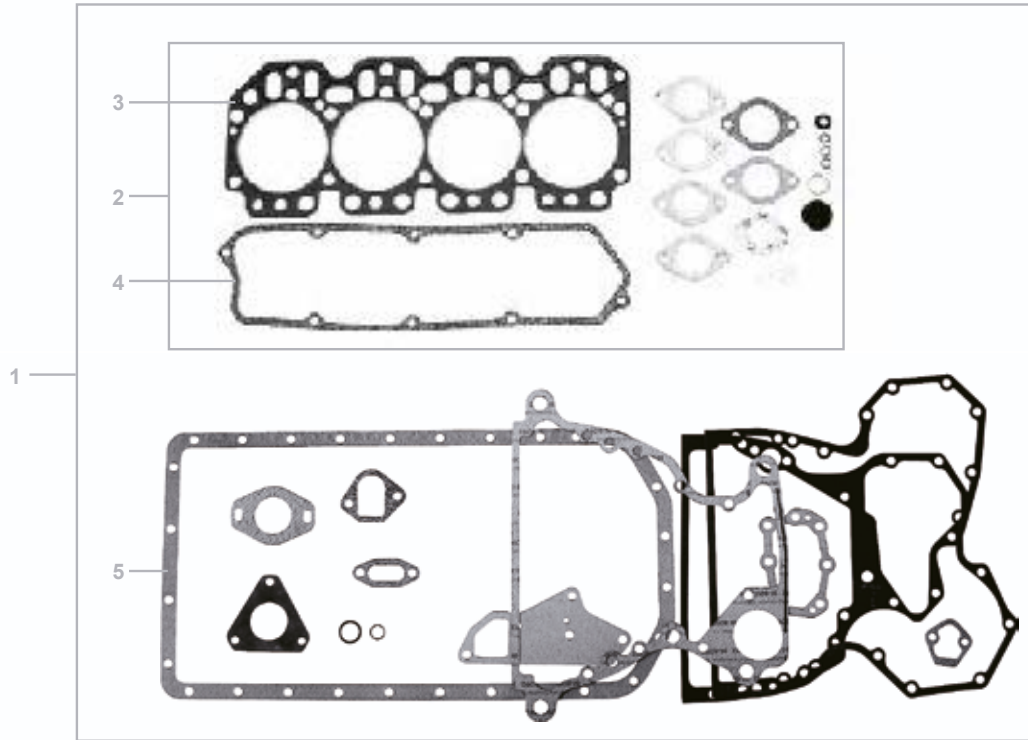
Les références des pièces sont indicatives.
Nos pièces ne sont pas d'origine.






Part numbers are quoted for reference purposes only.
Our parts and accessories are not original.



JOHN-DEERE PARTS

Moteur POWER TECH - POWER TECH engine - POWER TECH motor



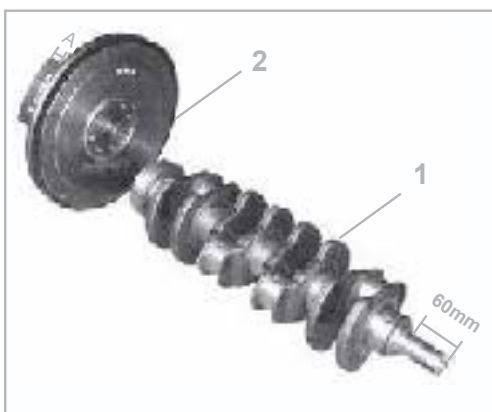
					1	2	3	4	5
6010	4045 D	34.9 mm	106.5 mm	4	26/70-305 RE501455	26/71-305 RE66082	26/73-305 R116515	26/74-305 R123542	26/75-305 R123552
6110, 6205, 6210, 6310, 6410	4045 T	41.1 mm							
6505, 6510	6068 D	34.9 mm	6	26/70-306 RE501456	26/71-306 RE66085	26/73-306 R116516	26/74-306 R123543	26/75-306 R123554	
6610, 6810, 6910	6068 T	41.1 mm							


Les références des pièces sont indicatives.
Nos pièces ne sont pas d'origine.

*Part numbers are quoted for reference purposes only.
Our parts and accessories are not original.*

JOHN DEERE PARTS


Vilebrequin & volants moteur - Crankshaft & flywheels -
Kurbelwelle & Schwungräder Motor - Krukas & vliegwielen - Cigüeñal & volantes motor



	Fig.	PART N°	OEM
2040S, 2140, 2250, 2450, 2450F, 2650, 2650F, 2650N, 2850	1	26/1-64	RE20585 R81959 R121018
2040S, 2140, 2250, 2250F, 2450, 2450F, 2650, 2650N, 2850, 3040, 3050, 3140, 3150, 3340, 3350, 3640, 3640S	2	26/296-2 (A) 21mm Ø 330 mm	RE18678 AR103749
3650	2	26/296-3 (A) 27mm Ø 330 mm	RE31572

Pompe alimentation & préfiltre - Fuel pump & prefilter -
Kraftstoffoerderpumpe & Vorfilter - Opvoerpomp & voorfilter - Bomba gas-oil & filtro



	Fig.	PART N°	OEM
3100, 3110, 3200, 3200X, 3210, 3210X, 3300, 3300X, 3310, 3310X, 3400, 3400X, 3410, 3410X	3	26/100-68	RE61260
1350⇒3650	4	60/100-67	AL67975



Les références des pièces sont indicatives.
Nos pièces ne sont pas d'origine.


Part numbers are quoted for reference purposes only.
Our parts and accessories are not original.



JOHN DEERE PARTS

Courroies - Fan belts - Kielriemen - V-snaren - Correas



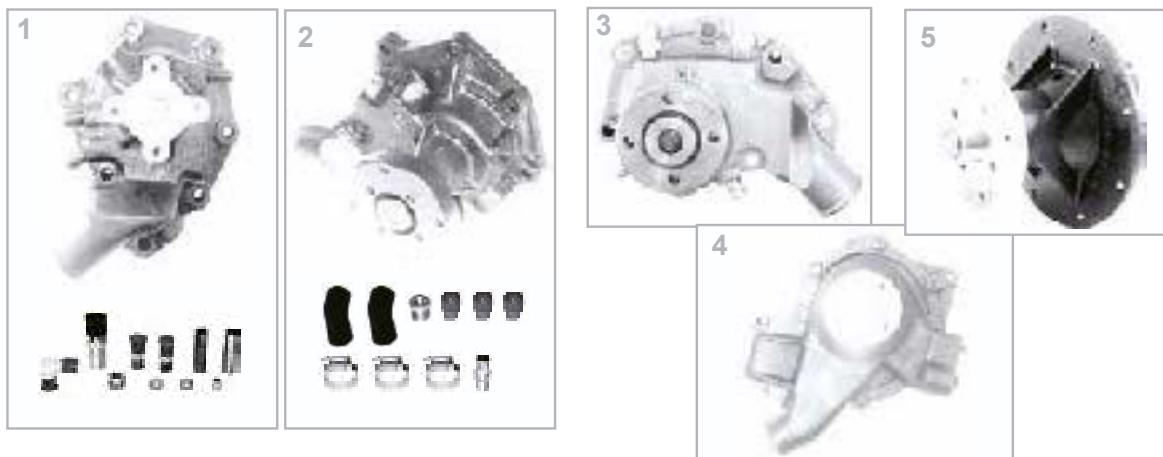
	PART N°	OEM	Width	Lg.	
6010(SE), 6110(SE), 6205, 6210(SE), 6310(SE), 6410(SE)	26/144-117	L114489	28	1930	8
6100, 6200, 6300, 6400	26/144-110	L111148 L79342	22	1740	6
6100, 6200, 6300, 6400	26/144-112	L111685	28	1740	8
6100(SE), 6200(SE), 6300(SE), 6400(SE), 6506, 6600	26/144-119	L111169	22	1720	6
6200(SE), 6400(SE), 6506, 6600	26/144-111	L110605	28	2205	8
6310(SE), 6410(SE), 6510(SE), 6610(SE)	26/144-114	L111600	28	2460	8
6506, 6600, 6800, 6900	26/144-118	L110600	22	1700	6
6505, 6510(SE), 6610(SE)	26/144-120	L114488	28	1920	8
6800, 6900	26/144-115	L111804	28	2190	8
6800, 6900	26/144-116	L110599	22	1687	6
6810, 6910	26/144-121	L114286 L114487	28	1900	8
6810, 6910	26/144-122	L114292 L111599	28	2500	8
7710, 7810	26/144-113	R133518	28	2000	8


Les références des pièces sont indicatives.
Nos pièces ne sont pas d'origine.

Part numbers are quoted for reference purposes only.
Our parts and accessories are not original.

JOHN DEERE PARTS

Pompes à eau - Water pumps - Wasserpumpen - Water pompen - Bombas de agua



	FIG.	PART N°	OEM	REPAIR KIT
510, 710, 2350, 1550, 1750, 1850, 1950				
820, 830, 920, 930, 1020, 1030, 1120 1130, 1630, 1830, 2020, 2030, 2120, 2130	1	26/130-41	AT27018, AT29619 AR65260, AR85250	26/131-21 (RE11345 RE37483, RE62658)
840, 940, 1040, 1140, 1350, 1550, 1640, 1750, 1790, 1840, 1850, 2040, 2040S, 2140, 2250, 2450, 2650, 2650N, 2850, 5200, 5300, 5400, 5500	2	26/130-51	AR92416, RE46257 AR92417, AR92903 RE12836, RE12835 RE46238, RE60489	26/131-23 (RE11347, RE62659)
3030, 3120, 3130				26/131-22 (RE11346, RE62661, RE37484)
3040, 3050, 3140, 3150, 3350, 3640, 3650, 4040, 4040S, 4050				26/131-24 (RE11348)
1750, 1850, 1850F, 1950, 1950N, 3110, 3200, 3210, 3200X, 3210X, 3300, 3310, 3300X, 3310X, 3400, 3410, 3400X, 3410X	3	26/130-208	RE67092 R97081	
4040, 4230, 4240, 4440	4	26/130-209	AR98549	
6100(SE), 6200(SE), 6300(SE), 6400(SE), 6500, 6506, 6600, 6800, 6900	5	26/130-192	Replace repair kit RE501560	

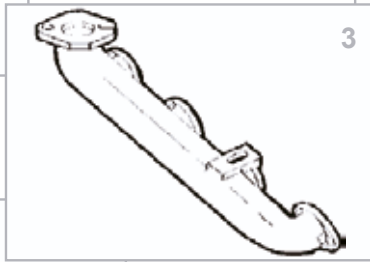
Les références des pièces sont indicatives.
Nos pièces ne sont pas d'origine.


Part numbers are quoted for reference purposes only.
Our parts and accessories are not original.



JOHN DEERE PARTS

Echappements - Silencers - Schalldämpfer - Uitlaatdempers - Silenciosos



	Fig.	PART N°	OEM
820, 830, 840, 920, 930, 940, 1020, 1030, 1035, 1040, 1120, 1130, 1140, 1350, 1550, 1630, 1635, 1750, 1850, 3100, 3110	1	26/65-21	T20252
1830, 2020, 2030, 2035, 2120, 2130, 2135	2	26/65-22	T20249
1640, 1840, 2040, 2040S, 2250, 2450, 2450F, 2650, 3200, 3210, 3200X, 3210X, 3300, 3310, 3300X, 3310X	3	26/65-23	R70411
6110(SE), 6200(SE), 6210(SE), 6300(SE), 6310, 6400(SE), 6410,	4	26/165-140	AL82411
6110(SE), 6200(SE), 6205, 6210(SE), 6300(SE), 6310(SE), 6400(SE), 6410(SE)	5	26/165-141	AL113991


Les références des pièces sont indicatives.
Nos pièces ne sont pas d'origine.

Part numbers are quoted for reference purposes only.
Our parts and accessories are not original.

JOHN DEERE PARTS

Eclairage - Lighting - Leuchten - Verlichtingen - Luces



	Fig.	PART N°	OEM
"30" & "40" series	1	26/182-3 (RH)	CE13748
	1	26/182-4 (LH)	CE13751
	2	26/182-8 (LH)	CE14809 R60139
	2	26/182-9 (RH)	CE14808 R60138
840, 940, 1040, 1140, 1350, 1550, 1640, 1750, 1850, 1850F, 1950, 1950F, 1950N, 2040, 2040S, 2140, 2250, 2250F, 2450, 2450F, 2650, 2650F, 2650N, 2850, 3040, 3050, 3140, 3150, 3350, 3640, 3640S, 3650	3	26/182-10 (LH)	L56462
	3	26/182-11 (RH)	L56434
	4	26/189-203 (LH)	
	4	26/189-204 (RH)	
4040, 4050, 4055, 4240, 4250, 4255, 4440, 4450, 4455, 4555, 4640, 4650, 4755, 4840, 4850, 4955, 6100, 6110, 6200, 6210, 6300, 6310, 6400, 6410, 6506, 6510, 6600, 6610, 6800, 6810, 6900, 6910, 7600, 7610, 7700, 7710, 7800, 7810, 8100, 8100T, 8200, 8200T, 8300, 8300T, 8400, 8400T	5	26/1931-12	RE37450 R161288
6100, 6101, 6110, 6200, 6210, 6300, 6310, 6400, 6410, 6506, 6510(SE), 6600, 6610(SE), 6800, 6810, 6900, 6910	6	63/1955-2	R136239 57M7358

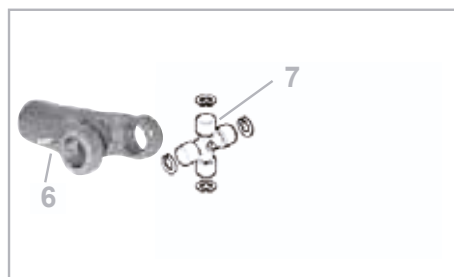
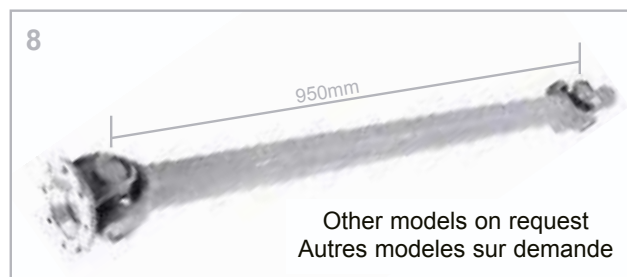
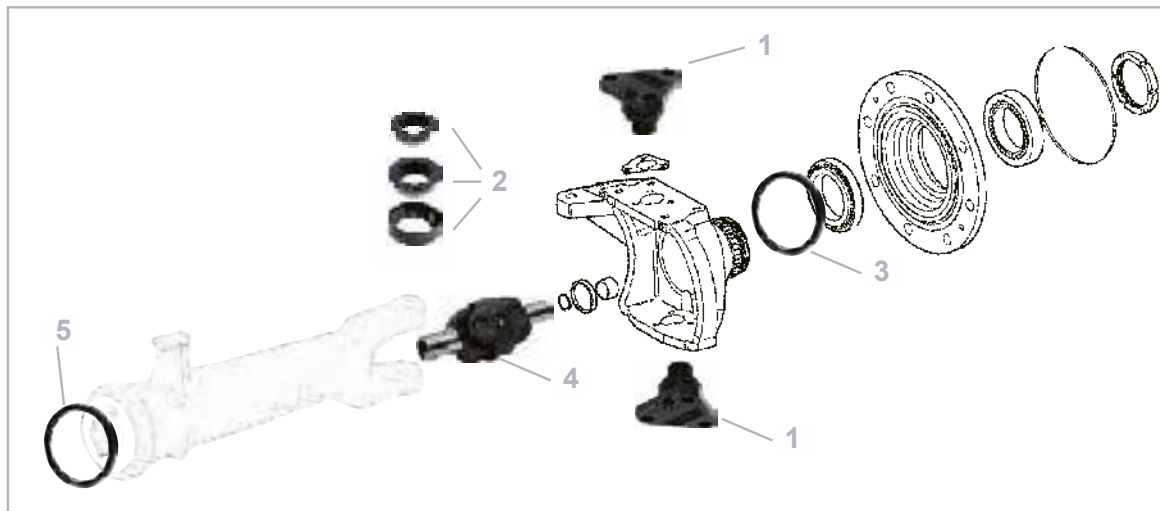
Les références des pièces sont indicatives.
Nos pièces ne sont pas d'origine.


Part numbers are quoted for reference purposes only.
Our parts and accessories are not original.



JOHN DEERE PARTS

Essieu avant - Front axle - Vorderachse - Vooras - Eje Delantero



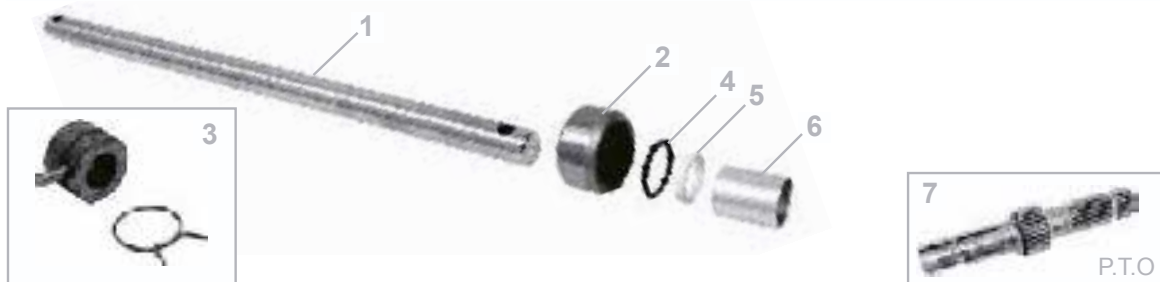
	Fig.	PART N°	OEM
1550, 1750, 1850, 1950 (APL315/325), 2250, 2450 (APL325), 2650 (APL325/735)	1	26/6450-11 (Ø25mm)	L64649
	2	26/6451-13	L64648
2850, 3050, 3350, 3650 (APL345/350)	1	26/6450-10 (Ø28mm)	L64654
2850 (APL325/735)	2	26/6451-11	L64653
3050, 3350, 3650 (APL350)	2	26/6451-12	L64658
2140, 3040, 3050, 3140, 3150, 3350, 3640, 3640S, 3650 (APL345/350)	3	26/6408-18	AL68616
3050, 3150, 3350, 3650	4	26/6402-13	AL61449
3030, 3040, 3120, 3130, 3135, 3140, 3340, 7600, 7610, 7700, 7710, 7800, 7810, 8100, 8200, 8300, 8400	5	26/6408-24	T30349
1640, 1840, 2040, 2040S, 2140, 2250, 2250F, 2450, 2450F, 2650, 2650F, 2650, 2650N, 2850, 3040, 3050, 3140, 3150, 3340, 3350, 3640, 3640S, 3650	6	26/6405-10	AL37071
	7	26/6403-10	AL37069
2140, 2850	8	26/6491-5	AL62647


Les références des pièces sont indicatives.
Nos pièces ne sont pas d'origine.

Part numbers are quoted for reference purposes only.
Our parts and accessories are not original.

JOHN DEERE PARTS

Arbres de contrôle d'effort - Lower link sensing shafts
Tiefenkontrollwellen - Torsieas - Eje de control del alzamiento



	Fig.	PART N°	OEM
930VU, 1030VU, 1630VU, 1035EV, 1635EV, 940V, 1040V, 1140V, 1140F, 1750V, 1850V	1	26/6678-15 500mm Ø3/4"	CE13970
	2	26/6679-15	T23758
	3	26/6683-15	CE15026+ CE15027+ 11M7013
	4	26/6680-15	R27149
	5	26/6681-15	T25795
	6	26/6682-15	T25794
1630, 1630OU, 1635, 1635EF, 1640F, 1840F, 1950F, 2020, 2030OU, 2035EF, 2040F, 2120, 2250F, 2450F, 2650F	1	26/6678-12 500mm Ø7/8"	L26937
	2	26/6679-12	T22094
	3	26/6683-12	L26938
	4	26/6680-12	R460R
	5	26/6681-12	T22095
	6	26/6682-12	T22096
2040S, 2140, 2650, 2850, 3040, 3050, 3140, 3350, 3640, 3640S, 3650	1	26/6678-16 640mm Ø1 1/8"	L41197
6010, 6100(SE), 6101, 6110, 6200(SE), 6205, 6210, 6300(SE), 6310, 6400(SE), 6410, 6505, 6506, 6510(SE), 6600, 6610(SE), 6800, 6810, 6900, 6910, 7600, 7610, 7700, 7710, 7800, 7810	7	26/303-38	L110178 R93500

Les références des pièces sont indicatives.
Nos pièces ne sont pas d'origine.

Part numbers are quoted for reference purposes only.
Our parts and accessories are not original.




"THE RELIABLE SERVICE"



JOHN DEERE PARTS

Rotules & tirants de direction - Steering links & sockets
Kugelköpfe und Spurstangen - Spoor- en stuurstangonderdelen -
Rótulas y barras de dirección



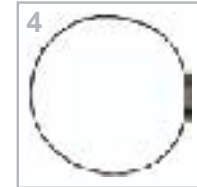
	Fig.	PART N°	OEM	Length	Thread	Cone
4050, 4055, 4250, 4255, 4450, 4455, 4555, 4650, 4755, 4850, 4955, 7600, 7700, 7800	1	26/491-23 LH	RE12326	157mm	M18x1,5D	23x28
	1	26/492-23 RH	RE12325	157mm	M18x1,5D	23x28
6100(SE), 6200(SE), 6300(SE), 6400(SE)	2	26/495-160 LH	AL110957 AL80538	285mm	F22x1,5D	21,5x23,5
	3	26/496-160 RH	AL110956 AL80537	285mm	F22x1,5D	21,5x23,5
	4	26/497-160	AL80541	178mm	M20x1,5D M22x1,5D	-
6900, 6910	5	26/495-161	AL110923 AL119379	220mm	F28x1,5D	28x32
	4	26/497-161	AL110918	240mm	M28x1,5D M24x1,5D	-
6010, 6101SE, 6110(SE), 6205, 6210(SE), 6300, 6310(SE), 6400, 6410(SE), 6505, 6506, 6510(SE), 6600, 6610(SE), 6800, 6810	6	26/495-162 LH	AL116740	260mm	F24x1,5D	24,5x26,5
	7	26/496-162 RH	AL116741 AL110886	260mm	F24x1,5D	24,5x26,5
	4	26/497-162	AL80542	210mm	M22x1,5D M24x1,5D	-
1640, 1840, 2040, 2040S, 2140, 3040, 3140	8	26/581-36	AL32866	75mm	F24x1,5D	29x32
2250F, 2450F, 2650F, 2650N	8	26/581-37	AL66090	80mm	F24x1,5D	20x22
	8	26/581-38	AL65924	80mm	F24x1,5G	20x22


Les références des pièces sont indicatives.
Nos pièces ne sont pas d'origine.

Part numbers are quoted for reference purposes only.
Our parts and accessories are not original.

JOHN DEERE PARTS

Freins - Brakes - Bremsen - Remonderdelen - Frenos



	Fig.	PART N°	OEM
3030, 3130	1	26/422-24 Ø305mm 15Z TK.: 11mm	AL68095
840, 940, 1040, 1140, 1350, 1550, 1640, 1750, 1750V, 1840, 1850, 1850F, 1850V, 1950, 1950F, 1950N, 2040, 2250, 2250F, 2450, 2450F, 2650, 2650F, 2850	2	26/422-25 Ø306mm 12Z TK.: 4,9mm	AL65872
6010, 6100(SE), 6101SE, 6110(SE), 6200(SE), 6205, 6210(SE), 6300(SE), 6310(SE), 6400(SE), 6410(SE), 6505, 6506, 6510(SE), 6600, 6610(SE)	2	26/422-27 Ø313mm 14Z TK.: 4,9mm	AL111498 AL75434
6010, 6100(SE), 6101(SE), 6110(SE), 6200(SE), 6210(SE), 6300(SE), 6310(SE), 6400(SE), 6410(SE), 6506, 6510(SE), 6600, 6610(SE)	2	26/422-28 Ø313mm 14Z TK.: 5,9mm	AL112982
3040, 3140, 3340, 3640, 3640S	3	26/417-17 TK.: 50mm	L40395
840, 940, 1040, 1140, 1350, 1550, 1640, 1750, 1840, 1850, 1850F, 1950, 1950F, 1950N, 2040, 2040S, 2250, 2650, 2650F, 2650N, 2450, 2850	3	26/417-18 TK.: 41mm	L63944 L60890
3050, 3150, 3350, 3650	3	26/417-19 TK.: 48,5mm	L65164 L60889 L63946
1350, 1550, 1750, 1850, 1950, 1950N, 2250, 2450, 2650, 2650F, 2650N, 2850, 5200, 5300, 5400, 5400N, 5500, 5500N	4	26/416-13	L60888
3040, 3050, 3140, 3150, 3340, 3350, 3640, 3640S, 3650	4	26/416-14	L56245 L39941
1350, 1550, 1750, 1850, 1950, 1950N, 2250, 2450, 2650, 2650F, 2650N, 2850, 3040, 3050, 3140, 3150, 3340, 3350, 3640, 3640S, 3650, 5200, 5300, 5400, 5400N, 5500, 5500N, 6100(SE), 6101(SE), 6010, 6110(SE), 6200(SE), 6205, 6210(SE), 6300(SE), 6310(SE), 6400(SE), 6410(SE), 6505, 6506, 6510(SE), 6600, 6610(SE)	4	26/416-15	L56246 L39942

Les références des pièces sont indicatives.
Nos pièces ne sont pas d'origine.


Part numbers are quoted for reference purposes only.
Our parts and accessories are not original.

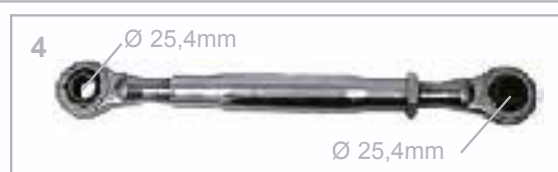
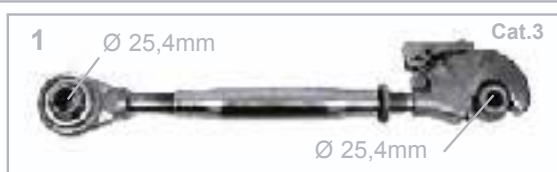



JOHN DEERE PARTS

Attelage - Linkage - Dreipunktgestange Hefstangen - Enganches



	Fig.	PART N°	OEM
6010, 6100, 6101, 6110, 6200, 6205, 6210, 6300, 6310, 6400, 6410, 6505, 6506, 6510(SE), 6600, 6610	1	26/700-25	AL78064
	2	26/703-25	AL78072
	3	26/702-25	L78791
	4	26/701-25	AL78068
	5	26/702-26S	L56746



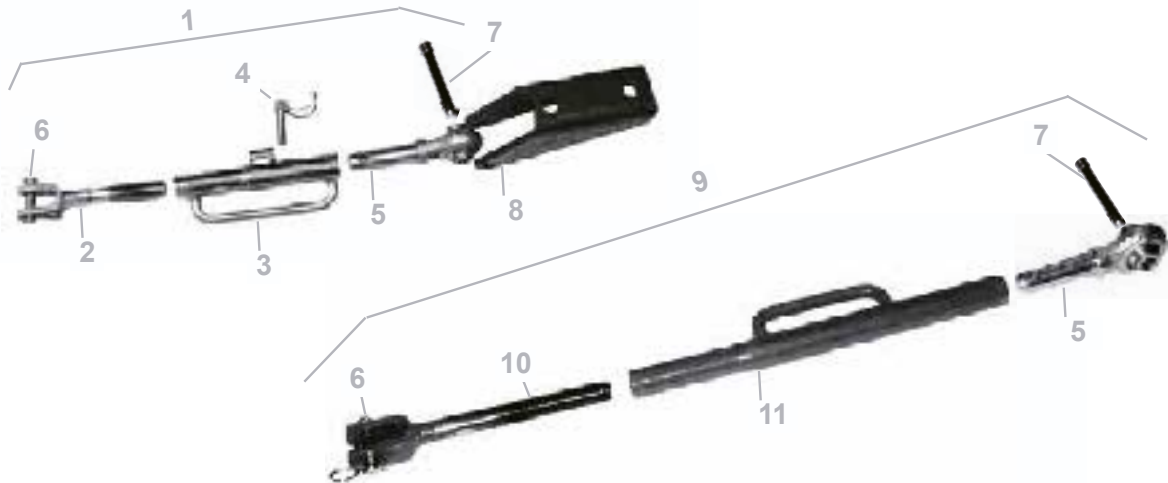
	Fig.	PART N°	Lg. Tube	Thread
"6000" & "7000" Series	1	26/700-27	L=309mm	M36
	2	26/700-28	L=306mm	M36
	3	26/700-29	L=334mm	M42
"5000" Series	4	26/700-30	L=309mm	M36
"8000" Series	5	26/700-31	L=455mm	M42


Les références des pièces sont indicatives.
Nos pièces ne sont pas d'origine.

Part numbers are quoted for reference purposes only.
Our parts and accessories are not original.

JOHN DEERE PARTS

Stabilisateurs - Stabiliser Ass. - Stabilisatoren - Stabilisatoren - Estabilizadores



	Fig.	PART N°	OEM
6010, SE6101, 6110(SE), 6205, 6210(SE), 6310(SE), 6410(SE), 6505, 6510(SE), 6610(SE), 6810, 6910	1	26/740-40 370mm	
	2	26/743-40	DE18856
	3	26/744-40 260mm	DE18854
	4	68/8151-40	DE18899
	5	26/746-40	DE18855
	6	26/747-40 18x65mm	L77493
	7	26/749-40 19x92mm	R58262 R44917 R28061
	8	26/751-40	L79046
6100(SE), 6200(SE), 6300(SE), 6400(SE), 6506, 6600	9	26/740-41 640mm	DE18460
	10	26/743-41	DE15973
	11	26/744-41 490mm	DE15971
	5	26/746-40	DE18855
	6	26/747-40 18x65mm	L77493
	7	26/749-40 19x92mm	R58262 R44917 R28061

Les références des pièces sont indicatives.
Nos pièces ne sont pas d'origine.

Part numbers are quoted for reference purposes only.
Our parts and accessories are not original.

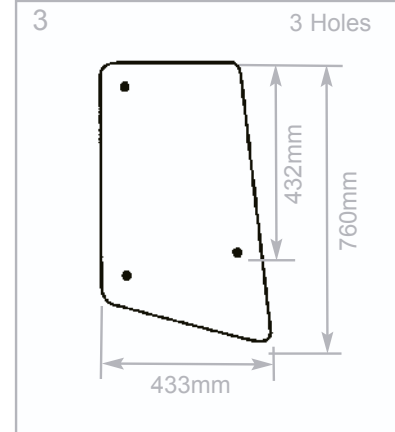
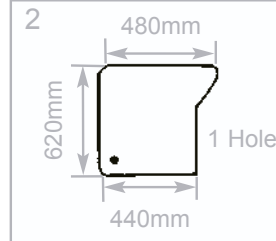
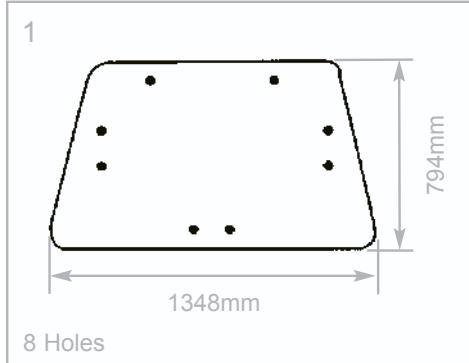



"THE RELIABLE SERVICE"





JOHN DEERE PARTS

Accessoires pour cabine - Cab accessories - Einzelteile für Kabine - Onderdelen voor kabine - Instrumentos de cabina



	Fig.	PART N°	OEM
6100, 6200, 6300, 6400, 6506, 6600, 6800, 6900	1	26/4004-7	L78725 L78726
6101SE, 6110(SE), 6210(SE), 6310(SE), 6410(SE), 6510(SE), 6610(SE), 6810, 6910	2	26/4012-63 RH	L114753
	2	26/4012-64 LH	L114754
	3	26/4047-70 RH	L113305
	3	26/4047-71 LH	L113306
1640, 2040, 2040S, 2140, 2250, 2450, 2650, 2850, 3040, 3050, 3140, 3150, 3350, 3640, 3640S, 3650 (SG2 Cab LH front wiper motor)	4	63/1980-28	AL34846
1640, 2040, 2040S, 2140, 2250, 2450, 2650, 2850, 3040, 3050, 3140, 3350, 3640, 3640S, 3650, 4050, 4040, 4040S, 4240, 4240S, 4250, 4350, 4440, 4450, 4650, 4850 (SG2 Cab rear wiper motor)	4	63/1980-21	AL35843 AL55527

Autocollants - Stickers - Aufklebersätze - Zelfkleuer - Juegos de pegatinas

	PART N°		PART N°
1020	26/860-249	2450F	26/860-283
1840F	26/860-279	2650F	26/860-284
2020	26/860-280	3120	26/860-285
2040F	26/860-281	3340	26/860-286
2120	26/860-282		




Les références des pièces sont indicatives.
Nos pièces ne sont pas d'origine.

Part numbers are quoted for reference purposes only.
Our parts and accessories are not original.

JOHN DEERE PARTS

Embrayages - Clutches - Kupplungen - Koppelingen - Embragues



	CLUTCH		PLATE		BEARING
3100 3200 (⇒003138)	280/280 LUK GU6	(228 0121 10) 26/200-260L	280 (A)	(328 0298 10) 26/221-300L (LG) 16Z 40x45 TF	(500 0059 10) 26/231-59L 65x95
			280 (A)	(328 0299 10) 26/212-300L (LM) 13Z 22x25 UF	(500 0058 10) 26/231-60L 106x140
3200 (003139⇒)	310/280 LUK GU6	(231 0083 10) 26/200-261L	310 (A)	(331 0217 10) 26/221-301L (LG) 16Z 40x45 TF	(410 0020 00) 26/230-60L
			280 (A)	(328 0299 10) 26/212-300L (LM) 13Z 22x25 UF	
3300 (⇒003090)	310/310 LUK GU6	(231 0087 10) 26/200-265L	310 (A)	(331 0217 10) 26/221-301L (LG) 16Z 40x45 TF	
			280 (A)	(328 0299 10) 26/212-300L (LM) 13Z 22x25 UF	
3300 (⇒003091)	330/310 LUK GU6	(233 0035 10) 26/200-262L	327 (A)	(333 0089 10) 26/221-302L (LG) 16Z 40x45 TF	
			310 (A)	(331 0106 16) 26/212-301L (LM) 13Z 21,5x25 UF	

Les références des pièces sont indicatives.
Nos pièces ne sont pas d'origine.

Part numbers are quoted for reference purposes only.
Our parts and accessories are not original.




"THE RELIABLE SERVICE"



JOHN DEERE PARTS

Embrayages - Clutches - Kupplungen - Koppelingen - Embragues



	CLUTCH		PLATE		BEARING
3400 (⇒003986)	330/310 LUK GU6	(233 0027 10) 26/200-263L	327 (A)	(333 0089 10) 26/221-302L (LG) 16Z 40x45 TF	(500 0059 10) 26/231-59L 65x95
			310 (A)	(331 0106 16) 26/212-301L (LM) 13Z 21,5x25 UF	(500 0058 10) 26/231-60L 106x140
3300 (⇒003091)	310/310 LUK GU6	(231 0093 10) 26/200-264L	310 (B)	(331 0229 10) 26/221-303L (LG) 16Z 40x45 2x8 PL TC	(410 0020 00) 26/230-60L
			280 (B)	(328 0283 10) 26/212-303L (LM) 13Z 25x32 2x4 PL UC	

Boulon de roue arrière - Rear wheel stud - Radbolz Hinterrad Wielbout achterwielen - Tornillo de rueda trasera

26/446-25
L31683

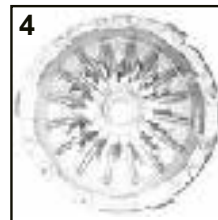
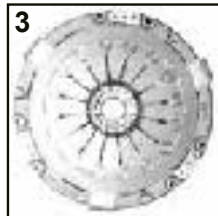
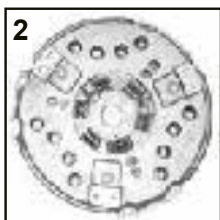
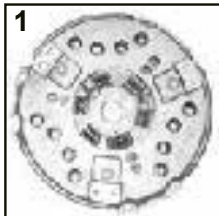



1140, 1630, 1635, 1640, 1830, 1840, 1850, 2030, 2035, 2040, 2040S, 2130, 2140, 2250, 2250F, 2450, 2450F, 2650, 2650F, 2650N, 2850, 3030, 3040, 3050, 3130, 3140, 3350, 3640, 3640S, 3650, 4040, 4040S, 4240, 4240S, 4350, 4440, 6010, 6100(SE), 6101SE, 6110(SE), 6200(SE), 6205, 6210(SE), 6300(SE), 6310(SE), 6400(SE), 6410(SE)

Les références des pièces sont indicatives.
Nos pièces ne sont pas d'origine.

Part numbers are quoted for reference purposes only.
Our parts and accessories are not original.

JOHN DEERE PARTS



	Fig.	Embrayage - Clutch - Kupplung Drukgroep - Embrague	
		Ø	N°
2130, 2135 Less HI-LO	1	300mm	Repl. (130 0005 20) Repl. (1882 271 403) 26/200-34E 23Z (AL23095)
2040S, 2140 (⇒416039) 2940, 3040, 3140 (416039⇒) 3340	2	320mm	Repl. (3482 039 101) Repl. (1882 339 103) 26/200-37E 27Z
2040S, 2140 (⇒416040) 3040, 3140 (415944⇒) 2650, 2650N, 2850, 2850N, 2940, 3040, 3050N, 3140, 3350, 3640	3	327mm Diaphragm	Repl. (133 0602 10) Repl. (3482 901 101) 26/200-38E 27Z (AL33127, AL36134, AL38670, AL39245, AL39591, AL55240, AL59324, AL64948, AL65981, AL67184, AL68483, AL68485) <i>Complete KIT</i> 26/200-200KE (26/200-38E+26/221-107E)
3650	4	327mm Diaphragm	Repl. (133 0603 10) 26/200-1137E 27Z (AL68486)

Les références des pièces sont indicatives.
Nos pièces ne sont pas d'origine.

Part numbers are quoted for reference purposes only.
Our parts and accessories are not original.



"THE RELIABLE SERVICE"






JOHN DEERE PARTS

**PISTONS & JEUX - PISTONS & KIT SETS - KOLBEN & SATZ
ZUIGERS & KITSETS - PISTONES & EQUIPOS DE CILINDRO**



Version économique
Low design
Preiswerte Version
Economische versie
Diseño de aro bajo

Fig.	1	2	
			OEM
840, 940, 1040, 1140, 1350, 1445F, 1550, 1630, 1640, 1745F, 1750, 1750V, 1840, 1845F, 1850, 1850V, 2040, 2040S, 2130, 2250, 2450, 2450F, 2650, 3040, 3050, 3140, 3350, 3640	26/33-52L	26/31-52L	RE24539
1950, 1950N, 2140, 2650, 2850, 3400, 3400X, 3410, 3410X, 3650, 4050, 5500, 5500N, 6200, 6300, 6600	26/33-53L	26/31-53L	DD14529 RE22678 RE33115

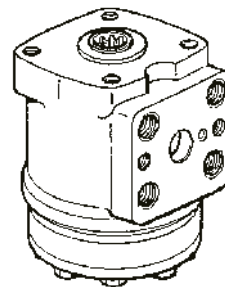
Les références des pièces sont indicatives.
Nos pièces ne sont pas d'origine.


Part numbers are quoted for reference purposes only.
Our parts and accessories are not original.



JOHN DEERE PARTS

Direction hydrostatique "Orbitrol" (JD-84)
 hydrostatic steering "Orbitrol" (JD-84)
 Hydrostatische Lenkung "Orbitrol" (JD-84)
 Hydrostatische besturing "Orbitrol" (JD-84)
 Dirección hidrostática "Orbitrol" (JD-84)



		Unité de direction Steering unit Orbitrol Stuur-unit Unidad de dirección	Kit réparation Repair kit Reparatursatz Revisieset Juego de reparación
3050, 3140, 3350, 3640, 3640S, 3650	OSPC 200CN 150-0176	26/560-6 (AL55296)	26/561-6 (AL112819, AZ20003)
1550, 1640, 1750, 1850, 1950, 2040, 2040S, 2140, 2250, 2450, 2650, 2850, 3040, 3050, 3140, 3150, 3340, 3350,	OSPC 160CN 150-0178 OSPC 100CN 150-183	26/560-7 (AL41291, AL55308)	
1550, 1640, 1750, 1840, 1840F, 1850, 1950, 2040, 2040S, 2250, 2250F, 2450, 2450F, 2650F, 2650, 2650N, 2850, 3050, 3350	OSPC 125CN 150-0179	26/560-8 (AL41631)	

Les références des pièces sont indicatives.
 Nos pièces ne sont pas d'origine.

Part numbers are quoted for reference purposes only.
 Our parts and accessories are not original.

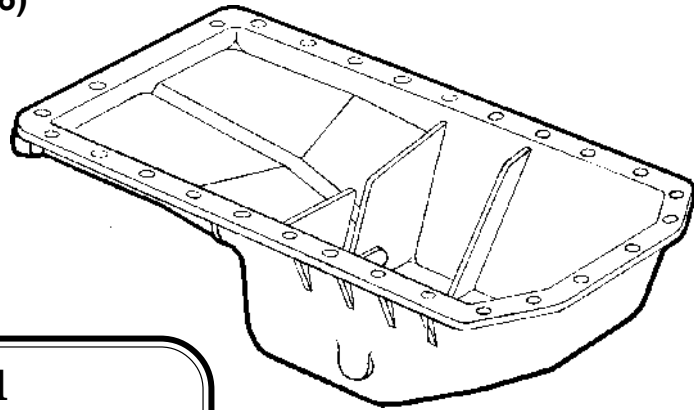


"THE RELIABLE SERVICE"



JOHN DEERE PARTS

Carter d'huile moteur (JD-16)
Oil pan (JD-16)
Ölwanne (JD-16)
Carterpan (JD-16)
Cárter de aceite (JD-16)

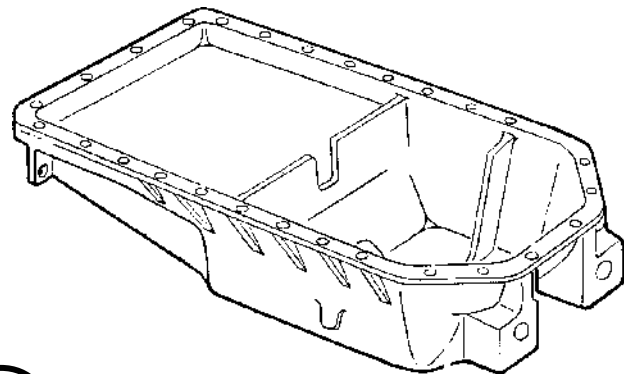


26/6900-1

(R54569)



2020, 2120, 1830, 2030, 2130,
10300U, 16300U, 20300U,
1035EF, 1635EF, 2035EF, 2035, 2135



26/6900-2

(R78032)



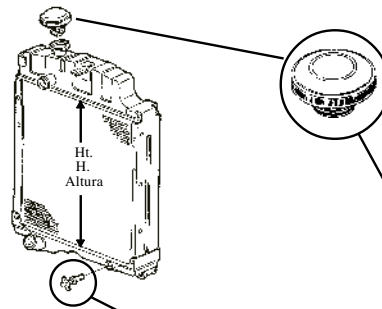
1140F, 1640, 1640F, 1840, 1840F
2040, 2040F, 2040S, 2140


Les références des pièces sont indicatives.
Nos pièces ne sont pas d'origine.

Part numbers are quoted for reference purposes only.
Our parts and accessories are not original.

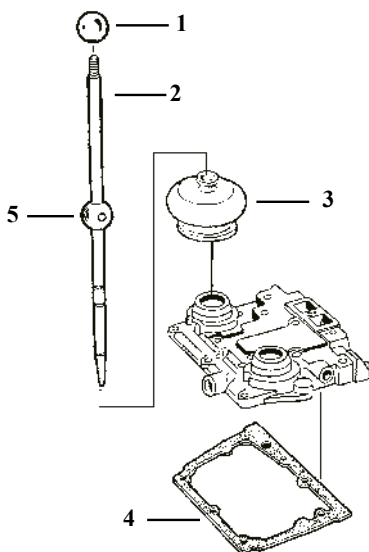
JOHN DEERE PARTS


Radiateur (JD-28)
Radiator (JD-28)
Kühler (JD-28)
Radiator (JD-28)
Radiador (JD-28)



	Radiateur Radiator Kühler Radiator Radiador	Robinet Drain tap Hahn Aftapkraan Grifo	Bouchon de radiateur Radiator cap Kühlerdeckel Radiatorstop Tapón radiador
820, 920, 1020, 1120 830, 930, 1030, 1130, 1630 930VU, 1030VU, 1630VU 1035EV, 1635EV 1030U, 1630U, 2030U 1035EF, 1635EF, 2035EF	26/150-37 (AT20849) Ht./H./Altura 430mm	26/152-2 (AT13740) 1/4"	26/151-9 (AT29054)
1030, 1630, 1830, 2030, 2130 1035, 1635, 2035, 2135 2020, 2120 1030U, 1630U, 2030U 1035EF, 1635EF, 2035EF	26/150-38 (AT25255) Ht./H./Altura 510mm		

Changeur de vitesses (JD-55)
Gear shift lever (JD-55)
Schalthebel (JD-55)
Versnellingspook (JD-55)
Cambio de marchas (JD-55)



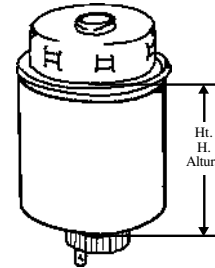
	1	2	3	4	5
	Sphère Ball Schaltknopf Kogel Bola	Levier Gearshift lever Hebel Hendel Palanca	Protecteur Boot Manschette Beschermhoes Protector	Joint Gasket Dichtung Pakking Junta	Sphère Ball Kugel Kogel Bola
820, 830, 840, 920, 930, 940, 1020, 1030, 1040, 1120, 1130, 1140, 1350, 1550, 1630, 1640, 1750, 1830, 1850, 2020, 2030, 2040, 2040S, 2120, 2130, 2250, 2450, 2650, 2850, 3030, 3050, 3120, 3130, 3350, 3640, 4040, 4040S, 4230, 4240, 4240S, 4350, 4430, 4440	26/552-2 (R.50864, AL.58296)				
820, 830, 920, 930, 1020, 1030, 1120, 1130, 1630, 1830, 2020, 2030, 2120		26/554-1 (R.53817)	26/551-2 (L.31055)	26/550-2 (R.54189)	
840, 940, 1040, 1140, 1640, 1840, 2040, 2040S, 2130, 2140, 3030, 3040, 3050, 3120, 3130, 3140, 3350					
840, 940, 1040, 1140, 1350, 1550, 1640, 1750, 1850, 1950, 2040, 2130, 2250, 2450, 3030, 3120, 3130				26/550-2 (R.54189)	
Séries/Series/Serien/Series/Series "20", "30", "40", "50"					26/558-1 (CE.14048)


Les références des pièces sont indicatives.
Nos pièces ne sont pas d'origine.

Part numbers are quoted for reference purposes only.
Our parts and accessories are not original.

JOHN DEERE PARTS

Filtration (JD-34)
Filters (JD-34)
Filter (JD-34)
Filters (JD-34)
Filtros (JD-34)



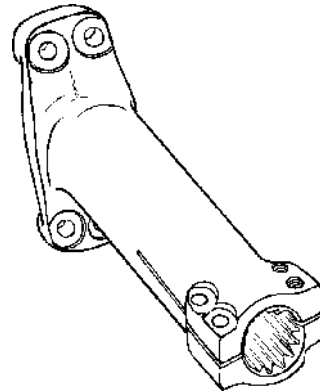
	Air Air Luftfilter Luchtfilter Aire		Huile Oil Öl Olie Aceite	Combustible Fuel Kraftstoff Brandstof Combustible	Hydraulique Hydraulic Hydraulik Hydrauliek Hidráulico
	Ext. Out. Aussen Buiten Exterior	Int. Inn. Innen Binnen Interno			
3100, 3200, 3200X, 3300, 3300X, 3400, 3400X	60/161-153 (RT6005011111) Ht./H./Altura 353mm	60/162-153 (RT6005011112) Ht./H./Altura 344mm	60/97-7 (T19044)	60/111-26 (RE53400) Ht./H./Altura 103mm 60/111-85 (RE64449, RE62418) Ht./H./Altura 91,5mm	60/655-6 (RT6005003244)
6010, 6110, 6210, 6310, 6410	60/161-32 (AL78223) Ht./H./Altura 310mm	60/162-32 (AL78224)	60/97-85 (RE59754)	60/111-85 (RE64449, RE62418) Ht./H./Altura 91,5mm	60/97-18 (RE34958)
6510, 6610, 6810, 6910	60/161-34 (AL78869)	60/162-34 (AL78870)			60/97-19 (AL77061) Transmission Getriebe Transmissie Transmisión
7610	60/161-30 (RE67124)	60/162-30 (RE34963)			60/111-26 (RE53400, RE62419)
7710, 7810	60/161-36 (RE34966)	60/162-36 (RE34967)	60/97-17 (RE57394)	60/111-27 (AR86745)	60/655-20 (RE47313) PW SHIFT


Les références des pièces sont indicatives.
Nos pièces ne sont pas d'origine.

Part numbers are quoted for reference purposes only.
Our parts and accessories are not original.

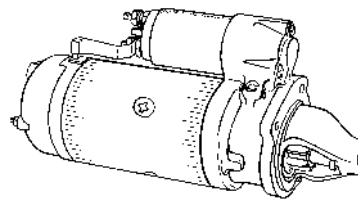
JOHN DEERE PARTS


Entraîneur de pompe hydraulique (JD-85)
Hydraulic pump drives (JD-85)
Antriebswellen für Hydraulikpumpe (JD-85)
Aandrijving v/d hydrauliek pomp (JD-85)
Tuberías de la bomba hidráulica (JD-85)



	Entraîneur Drive Antriebswelle Aandrijving Conducto	Replace OEM	Note Note Anmerkung Opmerking Nota
1640 (430000 ⇄), 1840 (⇄ 429999), 2040 (430000 ⇄), 2040S (430000 ⇄), 2140 1550, 1750, 1850, 1950, 1950N, 2250, 2450, 2650, 2650N, 2850	26/6632-6 180mm	L34573	Pour/For/Für/Voor/Para 40 & 50 cm ³

Démarrreur (JD-97)
Starter motor (JD-97)
Anlasser (JD-97)
Startmotor (JD-97)
Motor de arranque (JD-97)



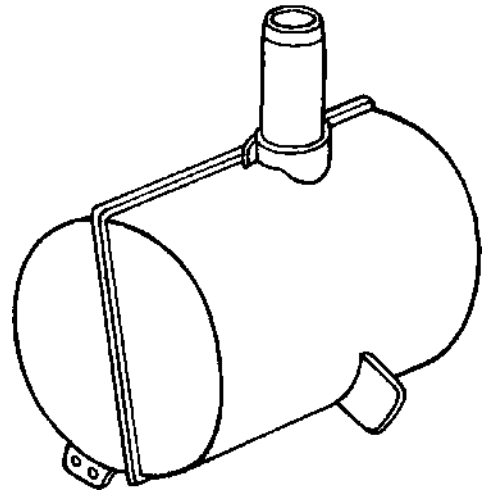
	Démarrreur Starter motor Anlasser Startmotor Motore de arranque	Lanceur Drive ass. Ritzel Bendix Transmisión	Fixation Fitting Befestigung Bevestiging Fijación	Long. sortante Prominent length Länge ab Flansch Totale lengte Longitud sobresaliente	Capacité Capacity Leistung Vermogen Capacidad	Replace OEM
6506, 6600, 6800, 6900 6510, 6610, 6810, 6910	62/930-58	10Z	3 Gauche/LH L/L/Izqda	240	12V., 3,1KW	AL.81154 AL.70852
3100, 3200, 3300, 3400	62/930-86	10Z	2 Droite/RH R/R/Drcha	255	12V., 3KW	RE.60384 AL.62772 AL.39700

Les références des pièces sont indicatives.
Nos pièces ne sont pas d'origine.

*Part numbers are quoted for reference purposes only.
Our parts and accessories are not original.*

JOHN DEERE PARTS

Echappement (JD-36)
Silencers (JD-36)
Schalldämpfer (JD-36)
Uitlaatdempers (JD-36)
Silenciosos (JD-36)

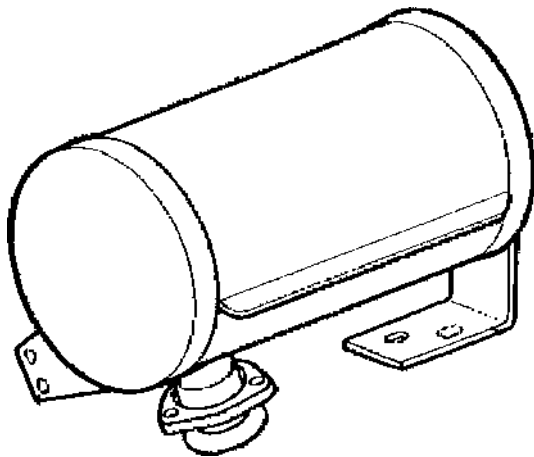


26/165-36

(AL32652)



3140 Turbo, 3340 Turbo, 3350 Turbo
3650, 3640S (Spain)



26/165-39

(AL64409)



2450, 2650, 2450F, 2650F, 2250, 2250F
2250, 2450, 2650, 2650N, 2850

Boîte synchronisée
Synchro transmission
Synchrongetriebe
Gesynchroniseerde versnellingsbak
Caja sincronizada


Les références des pièces sont indicatives.
Nos pièces ne sont pas d'origine.

Part numbers are quoted for reference purposes only.
Our parts and accessories are not original.

JOHN DEERE PARTS


Phare avant (JD-39)
Front lamp (JD-39)
Frontscheinwerfer (JD-39)
Koplamp (JD-39)
Faro delantero (JD-39)



	Phare avant Front lamp Frontscheinwerfer Koplamp Faro delantero	Replace OEM	Description Description Beschreibung Omschrijving Descripción	Ampoule Buld Glühlampe gloeilamp Bombilla
820, 920 1020, 1120 2020, 2120 3120 1830	26/189-5 Droit/RH/Rechts/Rechts/Drcha. Ex. : JD.12064AL	AL.12064	Ø 130mm, avec bride de fixation Ø 130mm, with fitting clamps Ø 130mm, mit Adapter	63/1955-472
2030, 2130 3030, 3130	26/189-6 Gauche/LH/Links/Links/Izquierda Ex. : JD.12065AL	AL.12065	Ø 130mm, met bevestigingsbeugel voor montage Ø 130mm, con bridas de fijación	63/1955-472

Optique avant (JD-39)
Head lamp (JD-39)
Frontscheinwerfer (JD-39)
Koplamp (JD-39)
Faro delantero (JD-39)



	Optique avant Head lamp Frontscheinwerfer Koplamp Faro delantero	Replace OEM
6100, 6200, 6300, 6400, 6506, 6600, 6800, 6900 6110, 6210, 6310, 6410, 6510, 6610, 6810, 6910 SE6010, SE6110, SE6210, SE6310 7600, 7700, 7800, 7610, 7710, 7810	26/189-35	AL.75338 RE.56964

Les références des pièces sont indicatives.
Nos pièces ne sont pas d'origine.

*Part numbers are quoted for reference purposes only.
Our parts and accessories are not original.*

JOHN DEERE PARTS

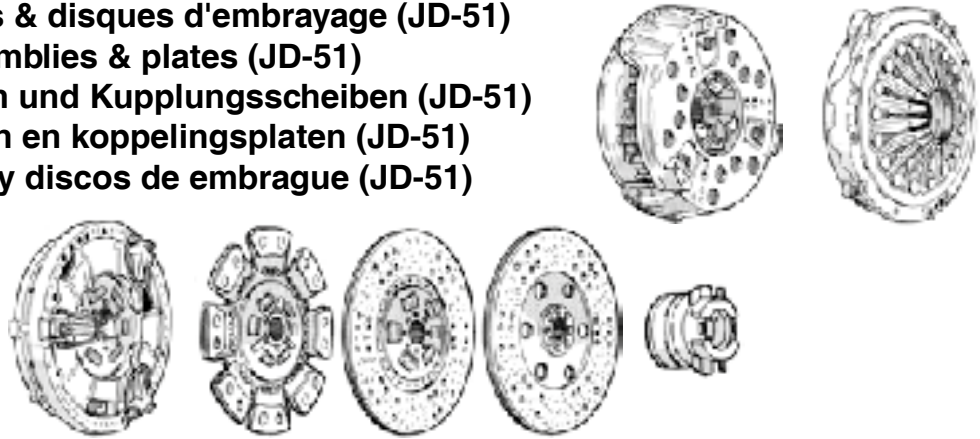
Mécanismes & disques d'embrayage (JD-51)


Clutch assemblies & plates (JD-51)

Druckplatten und Kupplungsscheiben (JD-51)

Drukgroepen en koppelingsplaten (JD-51)

Embragues y discos de embrague (JD-51)



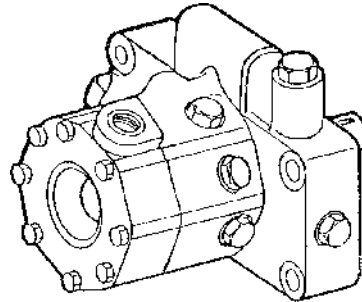
	EMBRAYAGE CLUTCH KUPPLUNG DRUKGROEP EMBRAGUE		DISQUE PLATE SCHEIBE KOPPELINGSPLAAT DISCO		BUTEE DEBRAYAGE RELEASE BEARING AUSRÜCKLAGER DRUKLAGER RODAMIENTO EMPUJE
	Ø	N°	Ø	N°	
2250, 2450, 2650 2250 SG2, 2450 SG2	320 Diaphragme Diaphragm Tellerfeder Diafragma Diafragma	(132 0602 11) 26/200-36 Moyeu 23Z 23Z Hub Nabe 23 Z naaf 23 groeven Cubo Rueda 23z (AL.39592, AL.67046)	320 (A)	(1862 140 003) 26/221-31 (LN) 15Z 22,5x26 Ressorts Springs Federn Geveerd Muelles (AL.64340)	(500 0248 11) 26/232-5 (AL.28860, AL.37539, AL.39541) ou/or/oder/of/o (3182 001 001) 26/232-10 (Φ 649118) (AL.39242) Cde hydraulique Hydraulic drive Hydraulische Ausrückung Hydraulisch bediend Control Hidráulico 3 tuyaux 3 pipes 3 Anschlüsse 3 leidingen 3 Tuberías (3182 001 003) 26/232-11 (649119 Φ) (AL.66088) Cde hydraulique Hydraulic drive Hydraulische Ausrückung Hydraulisch bediend Control Hidráulico 2 tuyaux 2 pipes 2 Anschlüsse 2 leidingen 2 Tuberías 26/230-6 (JD.10107)(RV)
	330 Diaphragme avec c/butée Diaphragm with release plate Tellerfeder mit Druckstück Diafragma met druklagerring Diafragma Con plato de empuje	(133 0606 20) 26/200-99 Moyeu 23Z 23Z Hub naaf 23 groeven Cubo Rueda 23z			

Les références des pièces sont indicatives.
Nos pièces ne sont pas d'origine.

Part numbers are quoted for reference purposes only.
Our parts and accessories are not original.

JOHN DEERE PARTS

Pompe hydraulique 22,6cm³ (JD-87)
Hydraulic pump 22,6cm³ (JD-87)
Hydraulikpumpe 22,6cm³ (JD-87)
Hydrauliekpomp 22,6cm³ (JD-87)
Bomba hidráulica 22,6cm³ (JD-87)



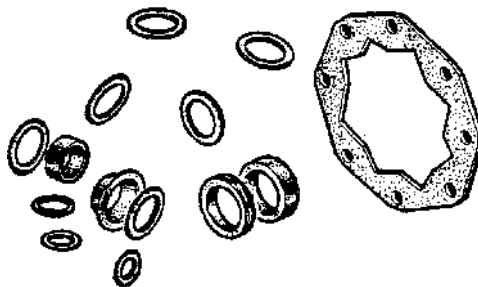
26/640-217

(AR103036, AR103033)



Séries/Series/Serien/Series/Series : "30", "40", "50"

Kit de joints
Seal kit
Dichtungssatz
Dichtungsset
Juego de retenes



26/621-15

(AR39156, AR98993)



Séries/Series/Serien/Series/Series : "30", "40", "50"

Les références des pièces sont indicatives.
Nos pièces ne sont pas d'origine.

Part numbers are quoted for reference purposes only.
Our parts and accessories are not original.

JOHN DEERE PARTS

Refroidisseur d'huile hydraulique (JD-87)

Hydraulic oil cooler (JD-87)

Hydraulik Ölkühler (JD-87)

Hydrauliek oliekoeler (JD-87)

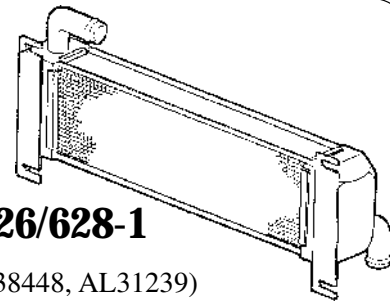
Refrigerador de aceite hidráulico (JD-87)



26/628-2

(AT20848, AL32639)

1020, 1120, 2020, 2120, 830, 930,
930VU, 1030, 1030VU, 1130, 1630,
1630VU, 1830, 2030, 2130, 1035EV,
1635EV, 10300U, 16300U, 20300U,
1035EF, 1635EF, 2035EF, 1035,
1635, 2035, 2135



26/628-1

(AL38448, AL31239)

1140F, 1640, 1640F, 1840, 1840F, 2040, 2040F,
2040S, 2140, 3040, 3140, 3340, 3640, 3640S


Direction hydrostatique "Orbitrol" (JD-84)

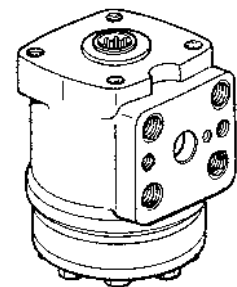
hydrostatic steering "Orbitrol" (JD-84)

Hydrostatische Lenkung "Orbitrol" (JD-84)

Hydrostatische besturing "Orbitrol" (JD-84)

Dirección hidrostática "Orbitrol" (JD-84)

		Réf. Ref. Bestell-Nr. Bestel Nr. Ref
3050, 3140, 3350, 3640, 3640S, 3650	OSPC 200CN 150-0176	26/560-6 (AL55296)
1550, 1640, 1750, 1850, 1950, 2040, 2040S, 2140, 2250, 2450, 2650, 2850, 3040, 3050, 3140, 3150, 3340, 3350,	OSPC 150CN 150-0178	26/560-7 (AL41291, AL55308)
1550, 1640, 1750, 1840, 1840F, 1850, 1950, 2040, 2040S, 2250, 2250F, 2450, 2450F, 2650F, 2650, 2650N, 2850, 3050, 3350	OSPC 125CN 150-0179	26/560-8 (AL41631)



Les références des pièces sont indicatives.
Nos pièces ne sont pas d'origine.

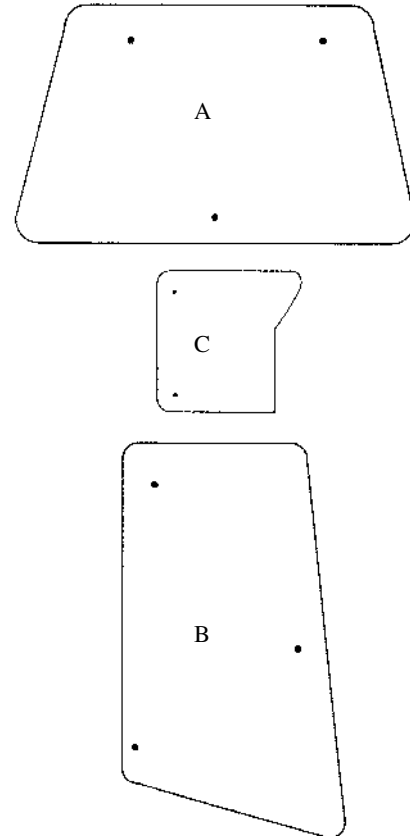
Part numbers are quoted for reference purposes only.
Our parts and accessories are not original.

JOHN DEERE PARTS

Vitrerie de cabine (JD-108)
Cab glass (JD-108)
Kabinenscheiben (JD-108)
Kabineruiten (JD-108)
Cristal de cabina (JD-108)

6100, 6200, 6300, 6400, 6600, 6800, 6900, 6506,
6110, 6210, 6310, 6410, 6510, 6610, 6810, 6910
SE6010, SE6110, SE6210, SE6310

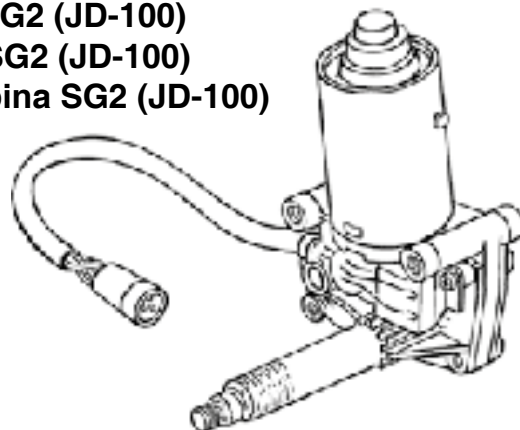
Description Description Beschreibung Omschrijving Descripción	Fig. Fig. Abb. Afb. Figura	Vitrerie de cabine Cab glass Kabinenscheiben Kabineruiten Cristal de cabina	OEM	mm
Pare-brise fixe, 3 trous Windscreen fixed, 3 holes Frontscheibe fest, 3 Bohrungen Voorruit vast, 3 gaten Parabrisas fijo, 3 agujeros	A	26/4000-59	L.78733	1348x794mm
Latérale gauche, 3 trous Side window LH, 3 holes Seite L, 3 Bohrungen Zijkant links, 3 gaten Lateral izq, 3 agujeros	B	26/4047-51	L.78537	760x433mm
Latérale droite, 3 trous Side window RH, 3 holes Seite R, 3 Bohrungen Zijkant rechts, 3 gaten Lateral dcha, 3 agujeros		26/4047-52	L.78538	760x433mm
Avant (Bas gauche), 2 trous Lower front LH, 2 holes Vorne (L unten), 2 Bohrungen Voor (onder links.), 2 gaten Frontal (Inf. izq), 2 agujeros	C	26/4012-46	L.78533	620x480mm
Avant (Bas droit), 2 trous Lower front RH, 2 holes Vorne (R unten), 2 Bohrungen Voor (onder rechts), 2 gaten Frontal (Inf. dcha), 2 agujeros		26/4012-47	L.78534	620x480mm



Moteur d'essuie-glace avant cabine SG2 (JD-100)
SG2 cab front wiper motor (JD-100)
Scheibenwischermotor vorn Kabine SG2 (JD-100)
Ruitenwissermotor voorzijde kabine SG2 (JD-100)
Motor limpia parabrisas delantero cabina SG2 (JD-100)

63/1980-21

(AL34843, AL55527)
(Repl. 0390211702)



Les références des pièces sont indicatives.
Nos pièces ne sont pas d'origine.

Part numbers are quoted for reference purposes only.
Our parts and accessories are not original.

INDEX

ACOPLAMIENOS HIDRÁULICOS	85	AIR PRE-CLEANERS	35
ACOPLAMIENOS	95	ALTERNATORS	96
ALTERNADORES	96	BALANCER SHAFT	20
AMORTIGUADORES	102	BODY PARTS	98
ARTÍCULOS DIVERSOS	44	CAB GLASS	103-108
ASIENTO SUSPENDIDO	101	CAB TRIMS	101
BARRAS ESTABILIZADORAS	93	CAPS (MISCELLANEOUS)	28
BOMBA ACEITE	21	CLUTCH ASSEMBLIES & PLATES	45-52
BOMBAS DE AGUA Y JUEGOS DE REPARACIÓN- EUROPA	24	CLUTCH PEDAL (SPARE PARTS)	54
BOMBAS GAS-OIL	22	CLUTCH SHAFTS	55
BOMBAS HIDRÁULICAS (PIEZAS)	86-87	CLUTCHES (SPARE PARTS)	53
CAMBIO DE MARCHAS	55	COMBINES	110-114
CAMISAS TERMINADAS	15	COMFORT SEAT	101
CIGÜEÑALES Y PIEZAS RELACIONADAS (EUROPA)	4-5	CONNECTING ROD BEARINGS SETS (EUROPE)	7-8
CIGÜEÑALES Y PIEZAS RELACIONADAS (USA)	6	CONNECTING ROD BEARINGS SETS (US)	9
CILINDRO DE FRENO	66	CRANKSHAFTS & RELATED PARTS (EUROPE)	4-5
CORONA DE DISTRIBUCIÓN	19	CRANKSHAFTS & RELATED PARTS (US)	6
CORREAS DEL VENTILADOR	25	DIFFERENTIAL	60
COSECHADORAS	110-114	DISC BRAKES	64-65
CRISTAL DE CABINA	103-108	ENGINE GASKET SETS (EUROPE)	18
DEPÓSITOS Y ACCESORIOS	38	ENGINE GASKET SETS (US)	19
DIFERENCIAL	60	ENGINE OIL COOLER	21
DIRECCIÓN HIDRÁULICA	84	FAN BELTS	25
DIRECCIÓN HIDROSTÁTICA	82,84	FILTERS	30-34
DIRECCIÓN MANUAL E HIDRÁULICA	83	FINAL DRIVE & REAR AXLE	61
DISCOS DE FRENO	64-65	FINISHED LINERS	15
EJE BALANCEADOR	20	FLYWEEL GEAR	19
EJE DEL ELEVADOR INFERIOR	62	FRONT AXLE - UNIVERSAL JOINTS	67
EJE DELANTERO	72	FRONT AXLE DRIVE	70-72
EJE DELANTERO Y ARTICULACIÓN UNIVERSAL	67	FRONT AXLE PARTS	68-69,72,74-76
EJE FRONTAL	70-71	FUEL PUMPS	22
EJE TRASERO	61	GAS STRUTS	102
EJES DE EMBRAGUE	55	GEAR SHIFT LEVER	55
EJES Y EMBRAGUES DE LA TDF	63	GLAZING RUBBER AND DRAFT EXCLUDERS	102
ELEVADOR HIDRÁULICO	58-59,93	HEAVY DUTY SPINDLES & HUBS (PAIR)	73
EMBRAGUE (RESPUESTOS)	53	HI-LO CLUTCH - OIL PUMP TRANSMISSION	56
EMBRAGUE HI-LO Y BOMBA DE TRANSMISIÓN	56	HYDRAULIC COUPLINGS	85
EMBRAGUES Y DISCOS DE EMBRAGUE	45-52	HYDRAULIC LIFT	58-59,93
ENGRANAJES DE DISTRIBUCIÓN	20	HYDRAULIC PIPES	87
ESCOBILLAS DEL LIMPIA-PARABRISAS	100	HYDRAULIC PUMP DRIVES	85
ESTABILIZADORES	94	HYDRAULIC PUMPS	86-87
FILTROS	30-34	HYDRAULIC STEERING	84
GOMAS PARA CRISTALES DE CABINA	102	HYDROSTATIC STEERING	82,84
HORQUILLA NIVELADORA	90-91	INJECTOR NOZZLES & PARTS	23
INSTRUMENTOS (DIVERSOS)	42	INSTRUMENTS (MISCELLANEOUS)	42
INTERRUPTORES VARIOS	29,43	LEVELLING ROD ASSEMBLIES	90-91
JUEGOS DE REVESTIMIENTO	101	LIGHTING	39-41
JUEGO DE SEGMENTOS	14	LINKAGE	95
JUEGOS DE MOTOR COMPLETOS	16	LOWER LINK SENSING SHAFTS	62
JUEGOS DE RODAMIENTOS PARA BIELAS (EUROPA)	7-8	MANUAL & HYDRAULIC STEERINGS	83
JUEGOS DE RODAMIENTOS PARA BIELAS (USA)	9	MASTER BRAKE CYLINDER	66
		MEDALLION & DECAL SETS	99
		MISCELLANEOUS ITEMS	44

Las referencias originales tienen un propósito identificativo.
Nuestras piezas no son originales.

Part numbers are quoted for reference purposes only.
Our parts and accessories are not original.



INDEX

JUEGOS DIRECCIÓN ASISTIDA	73	MISCELLANEOUS PARTS FOR «BOSCH» ALTERNATORS	96
JUEGOS REPARACIÓN BOMBA DE AGUA - USA	24	MISCELLANEOUS PARTS FOR «BOSCH» GENERATOR	96
JUNTAS DE MOTOR (EUROPA)	18	OIL PUMP	21
JUNTAS DE MOTOR (USA)	19	OVERHAUL KITS	16
LLANTAS Y TORNILLOS DE LLANTA	67	PAINT	99
LUCES	39-41	PISTONS	15
MANGUITOS RADIADOR	27	PISTONS, RING SETS & LINERS (EUROPE)	10-13
MEDALLÓN Y JUEGO CALCAS	99	PISTONS, RING SETS & LINERS (USA)	14
MOTORES DE ARRANQUE	97	POWER STEERING KITS	73
PAREJA DE MANGUETAS Y CUBOS DE RUEDA REFORZADAS	73	RADIATOR	28
PEDAL DE EMBRAGUE (PIEZAS)	54	RADIATOR HOSES	27
PIEZAS DE CARROCERÍA	98	REPAIR KITS - WATER PUMPS - USA	24
PIEZAS PARA EL EJE DELANTERO	68-69,72,74-76	RIM & RIM BOLTS	67
PINTURA	99	RING SETS	14
PISTONES	15	SHAFTS AND PTO CLUTCH	63
PISTONES, JUEGOS DE ANILLOS, Y CAMISAS (EUROPA)	10-13	SILENCERS	36-37
PISTONES, JUEGOS DE ANILLOS, Y CAMISAS (USA)	14	SPARE PARTS FOR «BOSCH» STARTER MOTORS	97
PRE-FILTRO DE AIRE	35	STABILISERS	94
RADIADOR	28	STARTER MOTORS	97
REFRIGERADOR DE ACEITE DEL MOTOR	21	STEERING LINKS & SOCKETS	77-82
REPUESTOS PARA ALTERNADORES BOSCH	96	SWAY BLOCKS	93
REPUESTOS PARA MOTORES DE ARRANQUE BOSCH	97	SWITCHES (MISCELLANEOUS)	29,43
REPUESTOS PARA VÁLVULAS Y CULATAS	17	TANKS & ACCESSORIES	38
RÓTULAS Y ACOPLÉS DE DIRECCIÓN	77-82	THERMOSTATS & PARTS	26
SILENCIOSOS	36-37	TILL HYDRAULIC VALVES	92
TABLA DE APLICACIÓN PARA TRACTORES Y MOTORES	3	TIMING GEARS	20
TAPONES (DIVERSOS)	28	TOP LINKS	88-89
TERCEROS PUNTOS	88-89	TRACTORS AND ENGINES APPLICATION CHART	3
TERMOSTATOS Y PIEZAS	26	TRANSMISSION	56-57
TOBERAS Y PIEZAS DE CONEXIÓN	23	VALVES & CYLINDER HEAD PARTS	17
TRANSMISIÓN	56-57	WATER PUMPS & REPAIR KITS - EUROPA	24
TUBERÍAS HIDRÁULICAS «TILL»	92	WIPER BLADES	100
TUBERÍAS DE LA BOMBA HIDRÁULICA	85		
TUBERÍAS DEL HIDRÁULICO	87		

Las referencias originales tienen un propósito identificativo.
Nuestras piezas no son originales.

Part numbers are quoted for reference purposes only.
Our parts and accessories are not original.



TABLA DE APLICACIÓN PARA TRACTORES Y MOTORES
TRACTORS AND ENGINES APPLICATION CHART

Tractores Tractors	Motor Engine	Cilindros Cylinders	Tractores Tractors	Motor Engine	Cilindros Cylinders
EUROPA / EUROPE			USA / USA		
310, 510, 820, 920, 1020 (⇄ 085099)	3-152D	3	3010, 3020	4-270D	4
830, 930, 1020 (085100 ⇄), 1030, 1120, 1130	3-164D	3	4000, 4010, 4020, 4040, 4230	6-404D	6
840, 940, 1040, 1140, 1350, 1550, 1630, 1750, 1850, 1850N, 2150	3-179D	3	4240	6-466D	6
1950, 1950N	3-179T	3	4055, 4255, 4455, 4555, 4560, 4755, 4760, 4955, 4960, 8560	6-076	6
710	4-152D	4	4050 (⇄ 6592), 4250, 4350, 4440, 4450	6-466T	6
1640, 1840, 2040, 2040S, 2130, 2250, 2350, 2450, 2550, 3020	4-239D	4	4320, 4430, 4520	6-404T	6
1830, 2030, 2120	4-219D	4	4620, 4630, 7020 (335845 ⇄)	6-404A	6
2020	4-202D	4	4640, 4650, 4840, 4850, 8430, 8440, 8450	6-466A	6
2140, 2650, 2750, 2850	4-239T	4	7700, 7800	6-076T	6
3030, 3130, 4030	6-329D	6	8100, 8200, 8300	6-076A	6
3040, 3050, 3140, 3350, 3640	6-359D	6	8400	6-081A	6
3120	6-303D	6	8570	6-076H	6
3650, 4040, 4040S, 4050 (6593 ⇄)	6-359T	6			
6100	4-045D	4			
6200, 6300	4-039T	4			
6400	4-045T	4			
6600	6-059T	6			
6800, 6900, 7400, 7600, 7610	6-068T	6			

TRACTORES JD CON MOTORES ZETOR
JD TRACTORS WITH ZETOR ENGINE

John Deere	Motor/Engine	John Deere	Motor/Engine	John Deere	Motor/Engine
Serie 2000	5201	Serie 2300	7701	Serie 2800	1001 Turbo
Serie 2100	6201	Serie 2400	7301	Serie 2900	1301 Turbo
Serie 2200	7201	Serie 2700	1201 Turbo		

Las piezas Zetor están detalladas en nuestro catálogo "Zetor".
 Zetor engine spare parts can be identified in "Zetor" catalogue section.

Las referencias originales tienen un propósito identificativo.
 Nuestras piezas no son originales.

Part numbers are quoted for reference purposes only.
 Our parts and accessories are not original.



CIGÜEÑALES Y PIEZAS RELACIONADAS (EUROPA)
CRANKSHAFTS & RELATED PARTS (EUROPE)

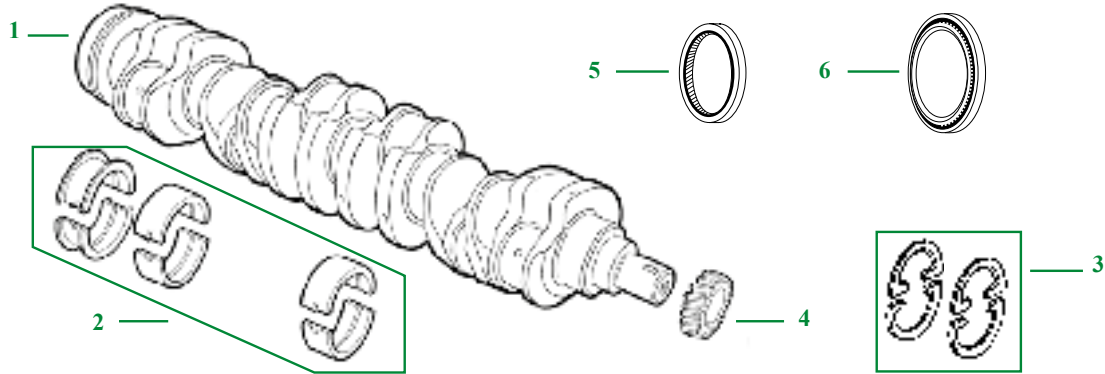


Fig.		1	2	3	4	5	6	
Tractores Tractors	Motor Engine	Cigüeñal Crankshaft	Juego de cojinetes de bancada Main bearing kit	Juego de arandelas Thrust washer kit	Engranaje Crankshaft gear	Retén delantero Front seal	Retén trasero Rear seal	
310, 510	3-152D	26/1-23 (AT.18031, RE.47637, RE.46896)	26/2-12 (3 x AT.21140) + (1 x AT.21139 Con pestaña with flange) B.920		26/12-9 (T.20094)	26/11-14 (AR.67942)	26/13-11 (RE.11036, AR.92893)	
830, 930, 1030, 1130	3-164D							
840, 940, 1040, 1140, 1350, 1550, 1630, 1750, 1850	3-179D							
1020,1120	3-164D							
710	(4 cil. cyl.)	26/1-24 (AT.18030, RE.33197, RE.57664) Final / Snout: 53,6mm	26/ 2-14 (4 x AT.21140) + (1 x AT.21139 Con pestaña with flange) B.922		26/12-9 (T.20094)	26/11-14 (AR.67942)	26/13-11 (RE.11036, AR.92893)	
1640, 1840, 2040, 2040S, 2130	4-239D							
1830, 2030, 2120	4-219D							
2020	4-202D							
2140, 2650, 2850	4-239T	o / or	26/2-15 (4 x AT.21140) + (1 x AR.81786 Sin pestaña less flange) B.923	26/6-11 (RE.13571) STD		26/11-14 (AR.67942)	26/13-11S (RE.24959) Doble labio Twin lips	
2250, 2450	4-239D	26/1-64 (RE.20585) Final / Snout: 79mm						26/6-12 (AR.95932) + 0,007"
6200, 6300	4-039T							

Cojinetes de bancada disponibles en las siguientes sobremedidas: 0.010", 0.020", 0.030". Adjuntar los prefijos A, B y C respectivamente. Los cigüeñales (europeos) incluyen cojinetes, si se requieren sin hay que añadir el sufijo "A" (p.ej. 1-23A). *Main bearing kits are available in 0.010"- 0.020"- 0.030" oversizes. Please add the suffix "A", "B" and "C" respectively. Crankshafts (European) are supplied with the gear. Add suffix "A" (Eg : 1-23A) if the gear is not required.*

Las referencias originales tienen un propósito identificativo.
Nuestras piezas no son originales.

Part numbers are quoted for reference purposes only.
Our parts and accessories are not original.



CIGÜEÑALES Y PIEZAS RELACIONADAS (EUROPA)
CRANKSHAFTS & RELATED PARTS (EUROPE)

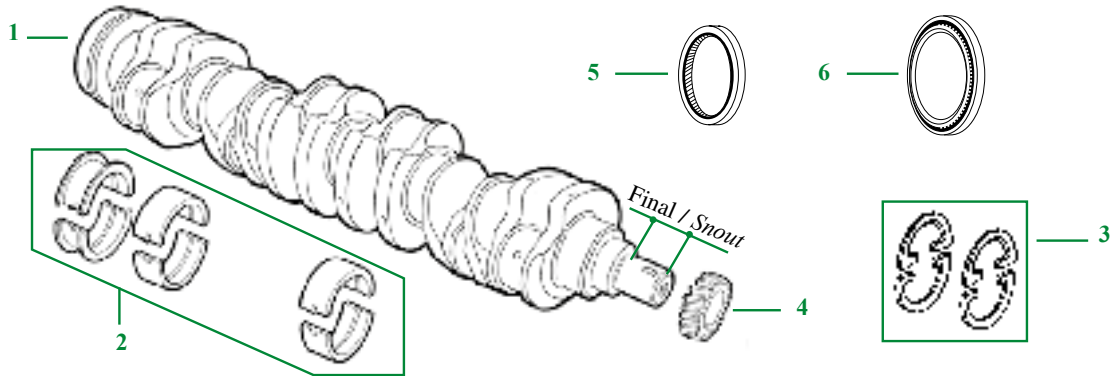


Fig.		1	2	3	4	5	6	
Tractores Tractors	Motor Engine	Cigüeñal Crankshaft	Juego de cojinetes de bancada Main bearing kit	Juego de arandelas Thrust washer kit	Engranaje Crankshaft gear	Retén delantero Front seal	Retén trasero Rear seal	
6100	4-045D	26/1-53 (RE.54883) Final / Snout 79mm	26/2-15 (4 x AT.21140) + (1 x AR.81786 Sin pestaña less flange) B.923	26/6-11 (RE.13571) STD				
6400	4-045T							26/6-12 (AR.95932) + 0,007"
3030, 3130, 4030	6-329D	26/1-25 (AT.22562)	26/2-16 (6 x AT.21140) + (1 x AT.21139 Con pestaña with flange) B.924		26/12-9 (T.20094)	26/11-14 (AR.67942)	26/13-11 (RE.11036, AR.92893) 26/13-11S (RE.24959) Doble labio Twin lips	
3040, 3050, 3140, 3350, 3640	6-359D		26/2-17 (6 x AT.21140) + (1 x AR.81786 Sin pestaña less flange) B.925	26/6-11 (RE.13571) STD				
3120	6-303D		26/2-16 (6 x AT.21140) + (1 x AT.21139 Con pestaña with flange) B.924					
3650, 4040S 4050 (6593 ⚡)	6-359T		26/2-17 (6 x AT.21140) + (1 x AR.81786 Sin pestaña less flange) B.925	26/6-11 (RE.13571) STD				
6600	6-059T		26/2-17 (6 x RE.27352) + (1 x RE.27350 Sin pestaña less flange)	26/6-12 (AR.95932) + 0,007"				
7400, 7600	6-068T		26/1-50 (RE.33687, RE.45517)					

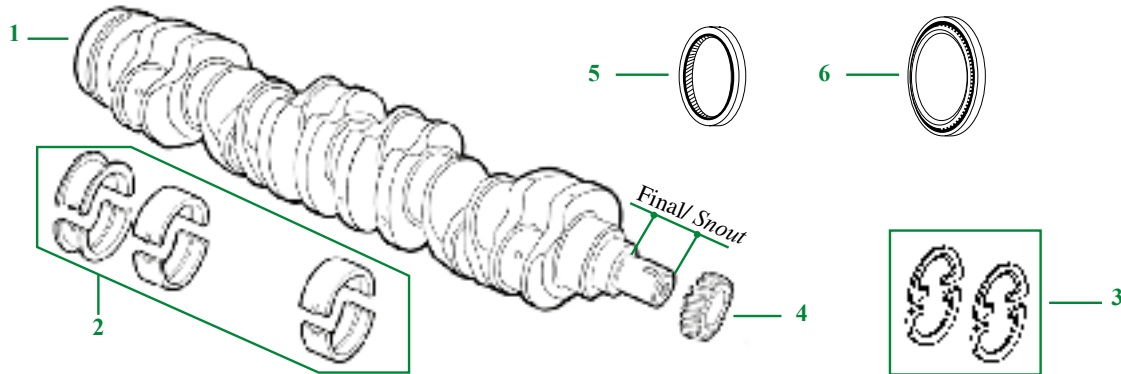
Cojinetes de bancada disponibles en las siguientes sobremedidas: 0.010", 0.020", 0.030". Adjuntar los prefijos A,B y C respectivamente. Los cigüeñales (europeos) incluyen cojinetes, si se requieren sin hay que añadir el sufijo "A" (p.ej. 1-23A).
Main bearing kits are available in 0.010" - 0.020" - 0.030" oversizes. Please add the suffix "A", "B" and "C" respectively.
Crankshafts (European) are supplied with the gear. Add suffix "A" (Eg : **1-23A**) if the gear is not required.

Las referencias originales tienen un propósito identificativo.
Nuestras piezas no son originales.

Part numbers are quoted for reference purposes only.
Our parts and accessories are not original.



CIGÜEÑALES Y PIEZAS RELACIONADAS (USA)
CRANKSHAFTS & RELATED PARTS (USA)



Figuras		1	2	3	4	5	6
Tractores Tractors	Motor Engine	Cigüeñal Crankshaft	Juego de cojinetes de bancada Main bearing kit	Juego de arandelas Thrust washer kit	Engranaje Crankshaft gear	Retén delantero Front seal	Retén trasero Rear seal
4055, 4255, 4455, 4555, 4560, 4755, 4760	6-076	26/1-51 (RE.53422) Final corto Short snout 3"	26/2-51 (6 x AR.74814) + (1 x AR.77748 Sin pestaña less flange)	26/6-51 (AR.77747)	26/12-51 (R.26049)	26/11-51 (AR.49025)	26/13-51 (RE.22764, RE.17352, AR.63095, RE.14953)
8100, 8200, 8300	6-076A	26/1-52 (RE.53201) Final largo Long snout 3 1/2"					
4040, 4230	6-404D	26/1-51 (RE.53422) Final corto Short snout 3"					
4240	6-466D						
4050 (↔ 6592) 4250, 4350, 4440, 4450	6-466T						
4430	6-404T						
4630, 7020 (335845 ↔)	6-404A						
4640, 4650, 4840, 4850, 8430, 8440, 8450	6-466A						

Cojinetes de bancada disponibles en las siguientes sobremedidas: 0.010", 0.020", 0.030". Adjuntar los prefijos A,B y C respectivamente. Los cigüeñales (europeos) incluyen cojinetes, si se requieren sin hay que añadir el sufijo "A" (p.ej. 1-23A).
Main bearing kits are available in 0.010"- 0.020"- 0.030" oversizes. Please add the suffix "A", "B" and "C" respectively.
Crankshafts (European) are supplied with the gear. Add suffix "A" (Eg : **1-23A**) if the gear is not required.

Las referencias originales tienen un propósito identificativo.
Nuestras piezas no son originales.

Part numbers are quoted for reference purposes only.
Our parts and accessories are not original.



JUEGOS DE RODAMIENTOS PARA BIELAS (EUROPA)
CONNECTING ROD BEARINGS SETS (EUROPE)

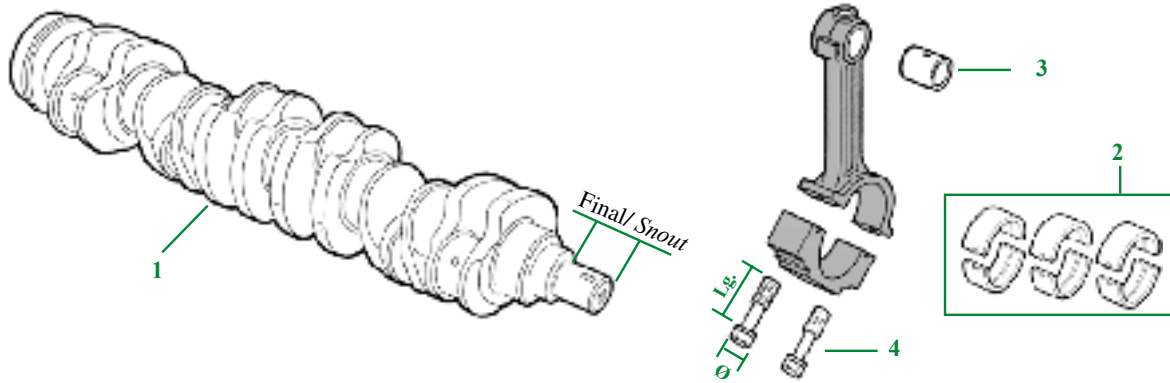


Fig.		1	2	3		4	
Tractores Tractors	Motor Engine	Cigüeñal Crankshaft	Juego de cojinetes de biela Conrod bearings set	Buje biela Small end bush		Tornillo biela Conrod bolt	
310, 510	3-152D	26/1-23 (AT.18031, RE.47637, RE.46896)	26/3-12 (3 x AT.21138) (B.930)	26/28-9 (T.23471)	Ø 30mm	26/26-7 (R.74194, T.20009) L. : 54mm Ø 7/16"	
830, 930, 1030, 1130	3-164D			26/28-10 (R.55647)	Ø 35mm		
840, 940, 1040, 1140, 1350, 1550, 1630, 1750, 1850	3-179D			26/28-9 (T.23471) (⇨ 199742)	Ø 30mm		
1020,1120	3-164D			26/28-10 (R.55647) (199743 ⇨)	Ø 35mm		
710	(4 cil. /cyl.)	26/1-24 (AT.18030, RE.33197, RE.57664)	26/3-14 (4 x AT.21138, 4 x AR.71080, 4 x RE.27348) (B.932)	26/28-9 (T.23471)	Ø 30mm		O / Or
1640, 1840, 2040, 2040S, 2130	4-239D			26/28-10 (R.55647)	Ø 35mm		26/26-8 (R.80033) L. : 59mm Ø 7/16"
1830, 2030, 2120	4-219D	Final/ Snout: 53,6mm	26/3-14 (4 x AT.21138, 4 x AR.71080, 4 x RE.27348) (B.932)	26/28-10 (A) (R.55647)	Ø 35mm		26/26-8 (R.80033) L. : 59mm Ø 7/16"
2020	4-202D	o / or		26/28-9 (T.23471)	Ø 30mm		
2140, 2650, 2850	4-239T	26/1-64 (RE.20585)		26/28-11 (R.57451)	Ø 41mm		
2250, 2450	4-239D	Final/ Snout: 79mm		26/28-10 (R.55647)	Ø 35mm		

(A) Excepto/ Except 2120 (⇨ 199742) : 26/28-9 (T.23471) Ø 30mm.

Cojinetes de biela disponibles en las siguientes sobremedidas: 0.010", 0.020", 0.030". Adjuntar los prefijos A,B y C respectivamente.

Conrod bearings are available in 0.010"- 0.020"- 0.030" oversizes. Please add the suffix "A", "B" and "C" respectively.

Las referencias originales tienen un propósito identificativo.
Nuestras piezas no son originales.

Part numbers are quoted for reference purposes only.
Our parts and accessories are not original.



JUEGOS DE RODAMIENTOS PARA BIELAS (EUROPA)
CONNECTING ROD BEARINGS SETS (EUROPE)

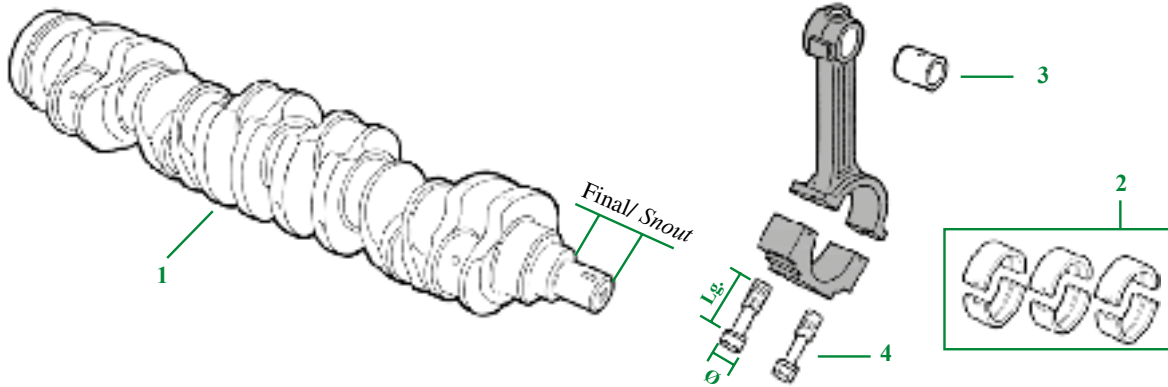


Fig.		1	2	3	4	
Tractores Tractors	Motor Engine	Cigüeñal Crankshaft	Juego de cojinetes de biela Conrod bearings set	Buje biela Small end bush	Tornillo biela Conrod bolt	
6200, 6300	4-039T	26/1-24 (AT.18030, RE.33197, RE.57664) Final / Snout: 53,6mm o / or 26/1-64 (RE.20585) Final / Snout: 79mm	26/3-14 (4 x AR.71080, 4 x RE.27348, 4 x AT.21138) (B.932)	26/28-11 (R.57451) Ø 41mm	26/26-8 (R.80033) L. : 59mm Ø 7/16"	
6100	4-045D	26/1-53 (RE.54883) Final / Snout: 79mm			26/26-9 (R.74195) L. : 64mm Ø 1/2"	
6400	4-045T					
3030, 3130, 4030	6-329D	26/1-25 (AT.22562)	26/3-16 (6 x AT.21138, 6 x RE.27348) (B.934)	26/28-10 (R.55647) Ø 35mm	26/26-7 (R.74194, T.20009) L. : 54mm Ø 7/16"	
3040, 3050, 3140, 3350, 3640	6-359D					O / Or
3120	6-303D			26/28-9 (T.23471) Ø 30mm	26/26-8 (R.80033) L. : 59mm Ø 7/16"	
3650, 4040S 4050 (6593 ⇄)	6-359T			26/28-11 (R.57451) Ø 41mm	26/26-8 (R.80033) L. : 59mm Ø 7/16"	
6600	6-059T				26/26-9 R.74195 L. : 64mm Ø 1/2"	
7400, 7600	6-068T	26/1-50 (RE.33687, RE.45517)				

Cojinetes de biela disponibles en las siguientes sobremedidas: 0.010", 0.020", 0.030". Adjuntar los prefijos A,B y C respectivamente.

Conrod bearings are available in 0.010"- 0.020"- 0.030" oversizes. Please add the suffix "A", "B" and "C" respectively.

Las referencias originales tienen un propósito identificativo.
Nuestras piezas no son originales.

Part numbers are quoted for reference purposes only.
Our parts and accessories are not original.



JUEGOS DE RODAMIENTOS PARA BIELAS (USA)
CONNECTING ROD BEARINGS SETS (USA)

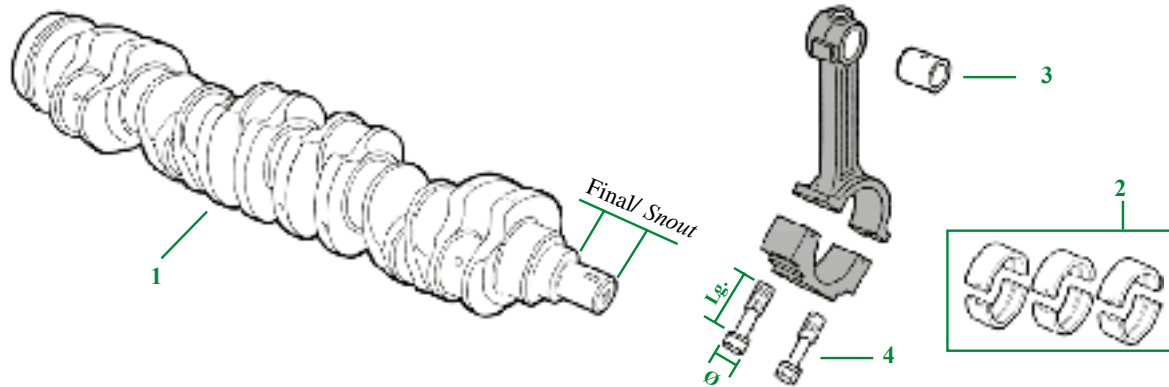


Fig.		1	2	3	4	
Tractores Tractors	Motor Engine	Cigüeñal Crankshaft	Juego de cojinetes de biela Conrod bearings set	Buje biela Small end bush	Tornillo biela Conrod bolt	
4055, 4255, 4455, 4555, 4560, 4755, 4760	6-076	26/1-51 (RE.53422) Final corto Short snout	26/3-52 (6 x AR.73277)	26/28-22 (R.74008)	26/26-10 (R.66452) L. : 63mm Ø 9/16"	
8100, 8200, 8300	6-076A	26/1-52 (RE.53201) Final largo Long snout				
4040, 4230	6-404D	26/1-51 (RE.53422)	26/3-51 (6 x AR.45723)	26/28-20 (R.30939)		
4240	6-466D			26/28-21 (R.42173)		
4050 (⇨ 6592) 4250, 4350, 4440, 4450	6-466T			26/3-52 (6 x AR.73277)		26/28-22 (R.74008)
4430	6-404T			26/3-51 (6 x AR.45723)		26/28-21 (R.42173)
4630, 7020 (335845 ⇨)	6-404A					
4640, 4650, 4840, 4850, 8430, 8440, 8450	6-466A			26/3-52 (6 x AR.73277)		26/28-22 (R.74008)

Cojinetes de biela disponibles en las siguientes sobremedidas: 0.010", 0.020", 0.030". Adjuntar los prefijos A,B y C respectivamente.

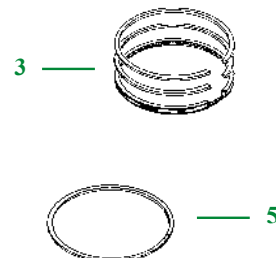
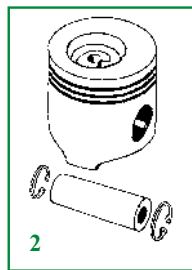
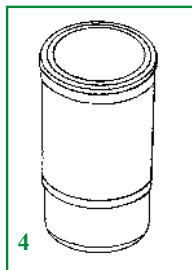
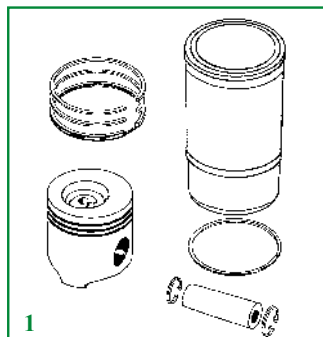
Conrod bearings are available in 0.010"- 0.020"- 0.030" oversizes. Please add the suffix "A", "B" and "C" respectively.

Las referencias originales tienen un propósito identificativo.
Nuestras piezas no son originales.

Part numbers are quoted for reference purposes only.
Our parts and accessories are not original.



PISTONES, JUEGOS DE ANILLOS, Y CAMISAS (EUROPA)
PISTONS, RING SETS & LINERS (EUROPE)



Cada juego está equipado con las gomas de camisa necesarias.
Every kit set is supplied complete with sealing rings.

Fig.				1	2	3	4	5	
Tractores Tractors	Motor Engine	Diámetro pistón Bore	Ø eje Pin Ø	Juego Kit set	Pistón sin anillos Piston less rings	Juego de segmentos Rings set	Camisa Liner	Juego de juntas tóricas Sealing kit	
310, 510	3-152D	98mm	Ø 30mm	26/31-45 (B.1130) Camisa con ranura Grooved liner	26/33-46 (T.23481)	26/34-46 (AR.70633)	26/35-45 (A) (AR.51902) Camisa con ranura Grooved liner	26/37-1 (B.1230)	
1020 (⇨ 074999)				26/31-46 (B.1131, AR.71591)			26/35-46 (T.32340)	26/37-2 (AR.71617)	
1020 (075000 ⇨ 085099)				26/31-47 (B.1132) Camisa con ranura Grooved liner			26/33-48 (T.30355, T.30015)	26/35-47 (B) (AR.51903) Camisa con ranura Grooved liner	26/37-3 (B.1231)
1120 (075000 ⇨ 199742), 1120 (⇨ 074999)	3-164D	102mm	Ø 35mm	26/31-48 (B.1133, AR.71593)	26/33-49 (AR.77762) Marcado/Marked "B"	26/34-48 (AR.55759)	26/35-48 (T.32343)	26/37-4 (AR.71618)	
1120 (075000 ⇨ 199742)				26/31-50 (B.1135, AR.90550) Marcado/Marked "H"					26/33-50 (AR.87736) Marcado/Marked "H"
830, 930, 1030, 1130, 1020 (199743 ⇨), 1120 (199743 ⇨)				26/31-51 (RE.24458, RE.30250) Marcado/Marked "B"					26/33-51 (RE.11515, AR.79868) Marcado/Marked "B"
840, 940, 1040, 1140, 1350, 1550, 1750, 1850, 1850N, 1630	3-179D	106,5mm	Ø 35mm	26/31-52 (RE.24539) Marcado/Marked "H"	26/33-52 (RE.19283, AR.87738) Marcado/Marked "H"	26/34-51 (RE.15674)	26/35-51 (R.51726, R.80724)	26/37-5 (AR.65507)	
1950, 1950N	3-179T			Ø 41mm	26/31-53 (DD.14529, RE.22678, RE.33115) Marcado/Marked "B"				26/33-53 (RE.15595, RE.19278) Marcado/Marked "B"

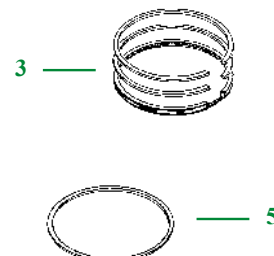
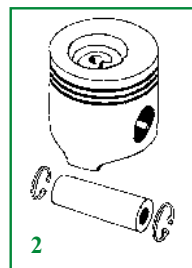
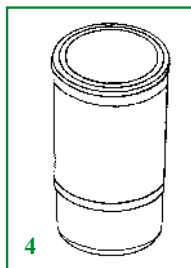
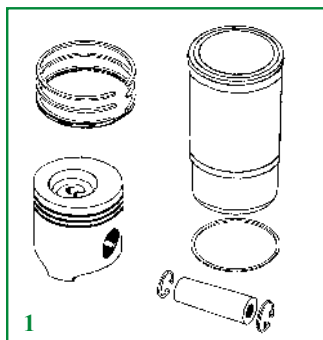
- (A) 26/35-45 (AR.51902) se vende completo con 26/37-1 (2x R.48537 y 1x R.48638)
26/35-45 (AR.51902) is supplied complete with 26/37-1 (2x R.48637 & 1x R.48638)
- (B) 26/35-47 (AR.51903) se vende completo con 26/37-3 (2x R.48537 y 1x T.32241)
26/35-47 (AR.51903) is supplied complete with 26/37-3 (2x R.48637 & 1x T.32241)

Las referencias originales tienen un propósito identificativo.
Nuestras piezas no son originales.

Part numbers are quoted for reference purposes only.
Our parts and accessories are not original.



PISTONES, JUEGOS DE ANILLOS, Y CAMISAS (EUROPA)
PISTONS, RING SETS & LINERS (EUROPE)



Cada juego está equipado con las gomas de camisa necesarias.
Every kit set is supplied complete with sealing rings.

Fig.				1	2	3	4	5
Tractores Tractors	Motor Engine	Diámetro pistón Bore	Ø eje Pin Ø	Juego Kit set	Pistón sin anillos Piston less rings	Juego de segmentos Rings set	Camisa Liner	Juego de juntas tóricas Sealing kit
710		98mm	Ø 30mm	26/31-45 (B.1130) Camisa con ranura Grooved liner	26/33-46 (T.23481)	26/34-46 (AR.70633)	26/35-45 (A)(AR.51902) Camisa con ranura Grooved liner	26/37-1 (B.1230)
2020 (⇄ 074999)	4-202D			26/31-46 (B.1131, AR.71591)			26/35-46 (T.32340)	26/37-2 (AR.71617)
2020 (075000 ⇄)				26/31-47 (B.1132) Camisa con ranura Grooved liner			26/35-47 (B)(AR.51903) Camisa con ranura Grooved liner	26/37-3 (B.1231)
2120 (⇄ 074999)	4-219D	102mm	Ø 35mm	26/31-48 (B.1133, AR.71593)	26/33-48 (T.30355, T.30015)	26/34-48 (AR.55759)	26/35-48 (T.32343)	26/37-4 (AR.71618)
2120 (075000 ⇄ 199742)				26/31-49 (B.1134, AR.78041) Marcado/Marked "B"	26/33-49 (AR.77762) Marcado/Marked "B"			
1830, 2030 2120 (199743 ⇄)				26/31-50 (B.1135, AR.90550) Marcado/Marked "H"	26/33-50 (AR.87736) Marcado/Marked "H"			
1640, 1840, 2040, 2040S, 2130, 2250, 2450	4-239D	106,5mm	Ø 35mm	26/31-51 (RE.24458, RE.30250) Marcado/Marked "B"	26/33-51 (RE.11515, AR.79868) Marcado/Marked "B"	26/34-51 (RE.15674)	26/35-51 (R.51726, R.80724)	26/37-5 (AR.65507)
			26/31-52 (RE.24539) Marcado/Marked "H"	26/33-52 (RE.19283, AR.87738) Marcado/Marked "H"				

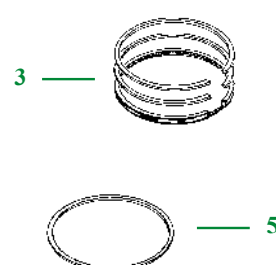
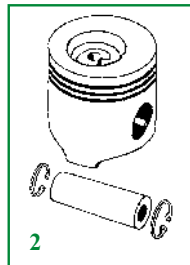
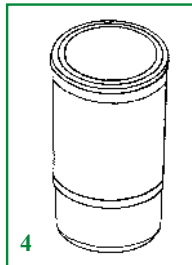
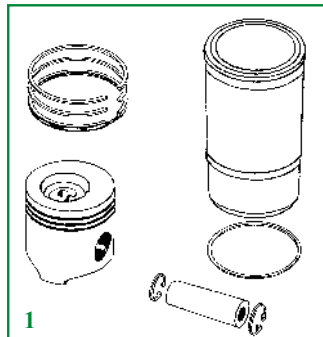
- (A) 26/35-45 (AR.51902) se vende completo con 26/37-1 (2x R.48537 y 1x R.48638)
26/35-45 (AR.51902) is supplied complete with 26/37-1 (2x R.48637 & 1x R.48638)
- (B) 26/35-47 (AR.51903) se vende completo con 26/37-3 (2x R.48537 y 1x T.32241)
26/35-47 (AR.51903) is supplied complete with 26/37-3 (2x R.48637 & 1x T.32241)

Las referencias originales tienen un propósito identificativo.
Nuestras piezas no son originales.

Part numbers are quoted for reference purposes only.
Our parts and accessories are not original.



PISTONES, JUEGOS DE ANILLOS, Y CAMISAS (EUROPA)
PISTONS, RING SETS & LINERS (EUROPE)



Cada juego está equipado con las gomas de camisa necesarias.
Every kit set is supplied complete with sealing rings.

Fig.				1	2	3	4	5
Tractores Tractors	Motor Engine	Diámetro pistón Bore	Ø eje Pin Ø	Juego Kit set	Pistón sin anillos Piston less rings	Juego de segmentos Rings set	Camisa Liner	Juego de juntas tóricas Sealing kit
2140, 2650, 2850	4-239T	106,5mm	Ø 41mm	26/31-53 (DD.14529, RE.22678, RE.33115) Marcado/Marked "B"	26/33-53 (RE.15595, RE.19278) Marcado/Marked "B"	26/34-51 (RE.15674)	26/35-51 (R.51726, R.80724)	26/37-5 (AR.65507)
				26/31-54 (RE.22681) Marcado/Marked "H"	26/33-54 (RE.15596) Marcado/Marked "H"			
6100	4-045D			26/31-150 (RE.19833)	26/33-150 (AR.68188, RE.28919)	26/34-150 (RE.48818)	26/35-150 (R.80500)	
6200, 6300	4-039T			26/31-53 (DD.14529, RE.22678, RE.33115) Marcado/Marked "B"	26/33-53 (RE.15595, RE.19278) Marcado/Marked "B"	26/34-51 (RE.15674)	26/35-51 (R.51726, R.80724)	
				26/31-54 (RE.22681) Marcado/Marked "H"	26/33-54 (RE.15596) Marcado/Marked "H"			
6400	4-045T	26/31-151 (RE.19832, RE.53073)	26/33-151 (AR.96389, RE.48469)	26/34-150 (RE.48818)	26/35-150 (R.80500)			

Las referencias originales tienen un propósito identificativo.
Nuestras piezas no son originales.

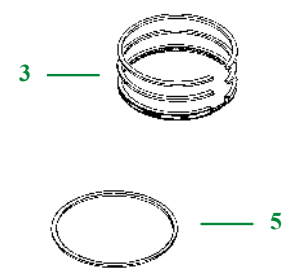
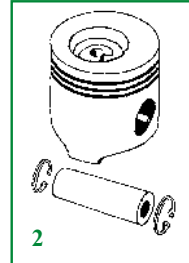
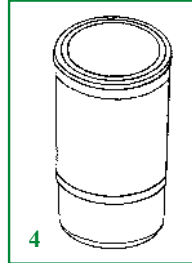
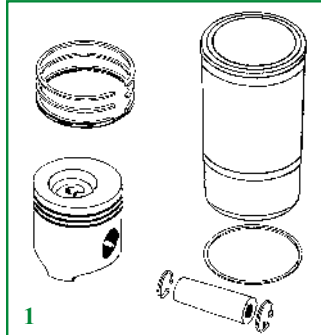
Part numbers are quoted for reference purposes only.
Our parts and accessories are not original.



"THE RELIABLE SERVICE"



PISTONES, JUEGOS DE ANILLOS, Y CAMISAS (EUROPA)
PISTONS, RING SETS & LINERS (EUROPE)



Cada juego está equipado con las gomas de camisa necesarias.
Every kit set is complete with suitable sealing rings.

Fig.				1	2	3	4	5
Tractores Tractors	Motor Engine	Diámetro pistón Bore	Ø eje Pin Ø	Juego Kit set	Pistón sin anillos Piston less rings	Juego de segmentos Rings set	Camisa Liner	Juego de juntas tóricas Sealing kit
3120 (⇨ 074999)	6-239D	98mm	Ø 30mm	26/31-45 (B.1130) Camisa con ranura Grooved liner	26/33-46 (T.23481)	26/34-46 (AR.70633)	26/35-45 (A)(AR.51902) Camisa con ranura Grooved liner	26/37-1 (B.1230)
3120 (075000 ⇨)				26/31-46 (B.1131, AR.71591)			26/35-46 (T.32340)	26/37-2 (AR.71617)
3030, 3130	6-329D	102mm	Ø 35mm	26/31-49 (B.1134, AR.78041) Marcado/Marked "B"	26/33-49 (AR.77762) Marcado/Marked "B"	26/34-48 (AR.55759)	26/35-48 (T.32343)	26/37-4 (AR.71618)
				26/31-50 (B.1135, AR.90550) Marcado/Marked "H"	26/33-50 (AR.87736) Marcado/Marked "H"			
3040, 3050, 3140, 3350, 3640	6-359D	106,5mm		26/31-51 (RE.24458, RE.30250) Marcado/Marked "B"	26/33-51 (RE.11515, AR.79868) Marcado/Marked "B"	26/34-51 (RE.15674)	26/35-51 (R.51726, R.80724)	26/37-5 (AR.65507)
3650				26/31-52 (RE.24539) Marcado/Marked "H"	26/33-52 (RE.19283, AR.87738) Marcado/Marked "H"			
4040, 4040S, 4050 (6593 ⇨)	6-359T		Ø 41mm	26/31-53 (DD.14529, RE.22678, RE.33115) Marque/Marked "B"	26/33-53 (RE.15595, RE.19278) Marcado/Marked "B"			
6600	6-059T	26/31-54 (RE.22681) Marque/Marked "H"		26/33-54 (RE.15596) Marcado/Marked "H"				
6800, 6900, 7400, 7600	6-068T		26/31-151 (RE.19832, RE.53073)	26/33-151 (AR.96389, RE.48469)	26/34-150 (RE.48818)	26/35-150 (R.80500)		

(A) 26/35-45 (AR.51902) se vende completo con / is supplied complete with 26/37-1 (2x R.48637 & 1x R.48638)

Las referencias originales tienen un propósito identificativo.
Nuestras piezas no son originales.

Part numbers are quoted for reference purposes only.
Our parts and accessories are not original.



PISTONES, JUEGOS DE ANILLOS, Y CAMISAS (USA)
PISTONS, RING SETS & LINERS (USA)



Cada juego está equipado con las gomas de camisa necesarias.
Every kit set is supplied complete with sealing rings.

Fig.				1	2	3	4	5
Tractores Tractors	Motor Engine	Diámetro pistón Bore	Ø eje Pin Ø	Juego Kit set	Pistón Piston	Juego de segmentos Rings set	Camisa Liner	Juego de juntas tóricas Sealing kit
4040, 4230	6-404D	108mm	Ø 38mm	26/31-152 (AR.65602, RE.23160)	26/33-152 (RE.23163)	26/34-152 (AR.65502)	26/35-152 (R.40615)	26/37-5 (AR.65507)
4240	6-466D	116mm	Ø 41mm	26/31-153 (AR.83610)	26/33-153 (AR.100442)	26/34-153 (AR.87753)	26/35-155 (AR.63060)	26/37-153 (AR.73628, AR.98850)
4430	6-404T	108mm	Ø 41mm	26/31-154 (AR.63272)	26/33-154 (AR.54552)	26/34-154 (AR.51741)	26/35-152 (R.40615)	26/37-5 (AR.65507)
4630, 7020 (335845 ⇄)	6-404A							
4640, 4840, 8430 (⇄ 572026), 8440, 8450	6-466A	116mm	Ø 47mm	26/31-155 (AR.72079) (A)	26/33-155 (AR.93629) (A)	26/34-155 (RE.48380)	26/35-155 (AR.63060)	26/37-153 (AR.73628, AR.98850)
4050 (⇄ 6592), 4250, 4350, 4440, 4450	6-466T			26/31-156 (AR.100646, AR.100960) (B)	26/33-156 (AR.100616, AR.100673) (B)			
4650, 4850	6-466A							
4055, 4255, 4455, 4555, 4560, 4755, 4760	6-076							
8100, 8200, 8300	6-076A			26/31-157 (RE.60294)	26/33-157 (RE.57512)	26/34-157 (RE.57517)		

JUEGO DE SEGMENTOS
RING SETS

Referencia Reference	Motores Engines	Diámetro pistón Bore dia.			
26/34-46	3152D, 4202D, 6303D	98.00mm			
			CP3 2.38	T1 2.38	CBEH 5.00
26/34-48	3164D, 4219D, 6329D	102.00mm			
			MK3 3.00	T1 2.38	CBEH 5.00
26/34-51	3179D, 4239D, 6359D, 3179T, 4239T, 6359T	106.50mm			
			MK1 3.00	CT5 2.38	CBEH 3.50

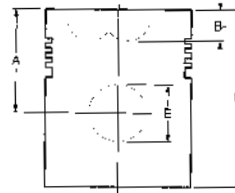
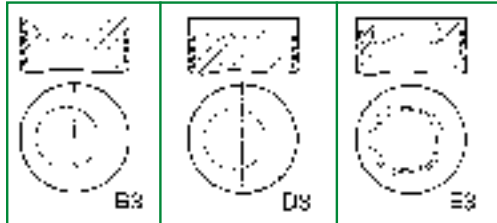
- CP3 : Rectangular exteriormente cromado. Interiormente rebajado en lado superior / *Chrome plated, parallel faced, internally bevelled top*
- T1 : Exteriormente cónico / *Taper faced plain*
- CBEH : Cromado y rebajado con muelle helicoidal / *Chrome plated bevelled edge with helical coil spring*
- MK3 : Trapezoidal ambos lados con recubrimiento de Molibdeno en cara exterior. Internamente rebajado en lado superior / *Molybdenum coated keystone internally bevelled top*
- MK1 : Trapezoidal ambos lados con recubrimiento de Molibdeno en cara exterior / *Molybdenum coated keystone*
- CT5 : Exteriormente cónico y cromado. Interiormente rebajado en lado inferior / *Chrome plated taper faced internally bevelled bottom*

Las referencias originales tienen un propósito identificativo.
Nuestras piezas no son originales.

Part numbers are quoted for reference purposes only.
Our parts and accessories are not original.



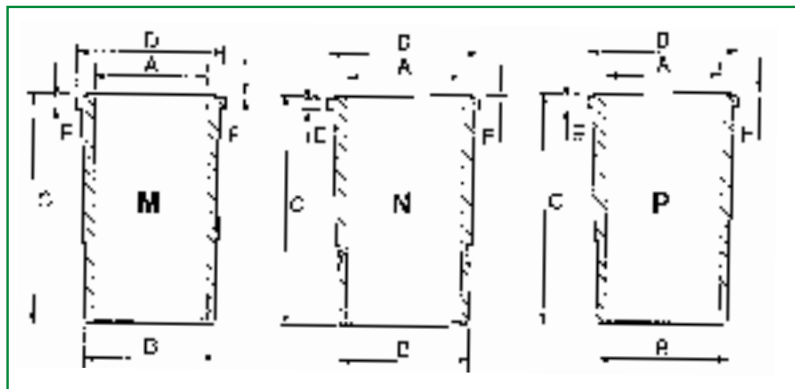
PISTONES
PISTONS



- A : Altura compresión (mm)
Compression height (mm)
- B : Profundidad cámara de combustión (mm)
Combustion bowl depth (mm)
- D : Longitud total (mm)
Overall length (mm)
- E : Diámetro bulón mm.
Gudgeon pin diameter (mm)

Referencia <i>Reference</i>	Diámetro pistón <i>Bore dia.</i>	Tipo <i>Type</i>	Número de anillos <i>Nº of Rings</i>	Al fin <i>Al-fin</i>	A	B	D	E
26/33-46	98.00mm	B3	3		57.35	16.50	99.35	30.17
26/33-48	102.00mm	E3			57.30		103.10	
26/33-49		106.50mm	D3	si <i>Yes</i>	66.30	21.50	112.00	34.92
26/33-50	66.42							
26/33-51	106.50mm	D3	si <i>Yes</i>	66.30	18.75	112.00	41.27	
26/33-52				66.42				
26/33-53	106.50mm	D3	si <i>Yes</i>	66.30	19.65	112.00	41.27	
26/33-54				66.42				

CAMISAS TERMINADAS
FINISHED LINERS



- A : Diámetro pistón
Nominal bore diameter (mm)
- B : Diámetro exterior (mm)
Outside diameter (mm)
- C : Longitud total (mm)
Overall length (mm)
- D : Diámetro pestaña mm.
Flange diameter (mm)
- E : Anchura pestaña (mm)
Flange width (mm)
- F : Altura cortafuego (mm)
Fire lip height (mm)

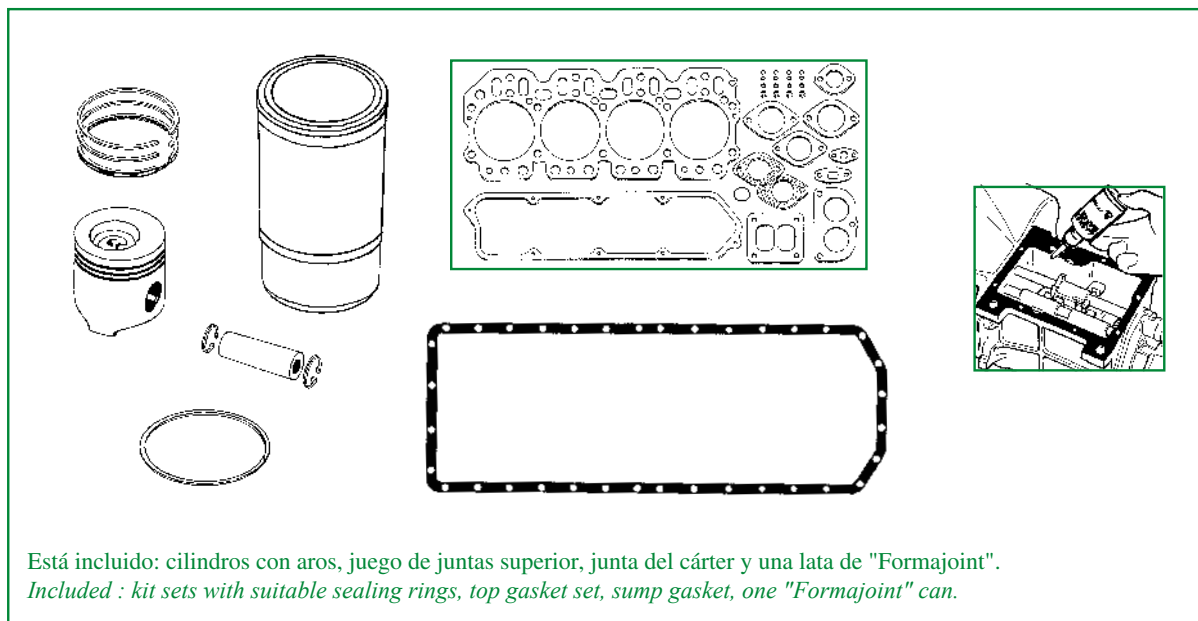
Referencia <i>Reference</i>	Tipo <i>Type</i>	A	B	C	D	E	F
26/35-45	N	98.00	107.60	197.00	123.00	6.00	0.75
26/35-46	P				125.00		
26/35-47	N	102.00	111.00	196.50	126.00	6.00	0.75
26/35-48	P				126.00		
26/35-51	M	106.50	115.70	196.50	126.00	6.00	0.75

Las referencias originales tienen un propósito identificativo.
Nuestras piezas no son originales.

Part numbers are quoted for reference purposes only.
Our parts and accessories are not original.



**JUEGOS DE MOTOR COMPLETOS
OVERHAUL KITS**



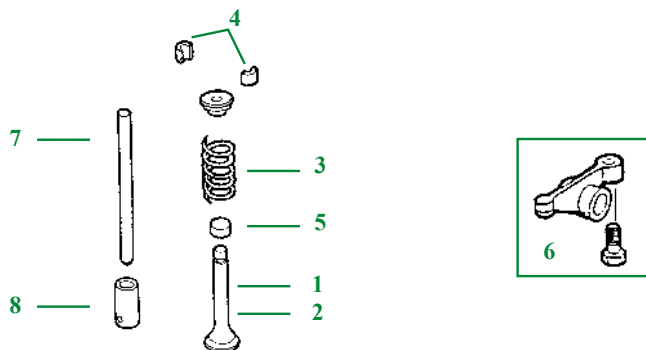
Tractores Tractors	Motor Engine	Díametro pistón Bore	Ø eje Pin Ø	Pedido n° Order N°
840, 940, 1040, 1140, 1350, 1550, 1630, 1750, 1850	3-179D	106,5 mm	35 mm	26/30-85 (Ex : 26/509K3)
1640, 1840, 2040, 2130, 2250, 2350, 2450, 2550, 2650	4-239D			26/30-86 (Ex : 26/509K4)
1830, 2030, 2120	4-219D	102 mm	41 mm	26/30-87
2140, 2650, 2750, 2850	4-239T	106,5 mm		26/30-88
2950, 3040, 3050, 3140, 3150, 3350, 3640	6-359D		102 mm	35 mm
3030, 3130, 4030	6-329D	106,5 mm		41 mm
3650, 4040, 4040S, 4050 (6593 ⇄)	6-359T			

Las referencias originales tienen un propósito identificativo.
Nuestras piezas no son originales.

Part numbers are quoted for reference purposes only.
Our parts and accessories are not original.



REPUESTOS PARA VÁLVULAS Y CULATAS
VALVES & CYLINDER HEAD PARTS



EUROPA / EUROPE

Fig.	1	2	3	4	5	6	7	8
Tractores Tractors	Válvula admisión Inlet valve	Válvula escape Exhaust valve	Muelle Spring	Pareja de pasadores Cotter (pair)	Tapón Cap	Brazo Rocker arm	Empujador Push rod	Tubo Tappet
820, 830, 840, 920, 930, 940, 1020, 1030, 1040, 1120, 1130, 1140, 1350, 1550, 1630, 1640, 1750, 1830, 1840, 1850, 2020, 2030, 2040, 2040S, 2120, 2130, 2250, 2450, 3030, 3040, 3050, 3120, 3130, 3140, 3340, 3350, 3640	26/42-17 (R.52251, R.79623)	26/43-17 (R.52252, R.79624)	26/45-10 (R.26125)	26/46-9 (T.20077)	26/49-1 (T.20129)	26/50-3 (AT.31250, RE.19031, RE.31973)	26/53-3 (T.20310)	26/54-4 (T.20073)
2140, 2650, 2850, 3650, 4040S, 4040	26/42-18 (R.51735)							
6100, 6200, 6300, 6400, 6600, 6800, 7600	26/42-150 (R.98062)	26/43-150 (R.90692)		26/46-10 (R.91889)				

USA / USA

Fig.	1	2	3	4	5
Tractores Tractors	Válvula admisión Inlet valve	Válvula escape Exhaust valve	Muelle Spring	Pareja de pasadores Valve cotter (Pair)	Tapón Cap
4040, 4230, 4240	26/42-151 (R.43883)	26/43-151 (R.43679)			
4050 (⇄ 6592), 4250, 4430, 4440, 4450, 4630, 4640, 4650, 4840, 4850, 7020 (335845 ⇄), 8430 (⇄ 572026), 8440, 8450	26/42-152 (R.50358)	26/43-152 (R.50357)	26/45-10 (R.26125)	26/46-9 (T.20077)	26/49-1 (T.20129)
4055, 4255, 4455, 4555, 4560, 4755, 4760, 4955, 8100, 8200, 8300	26/42-153 (R.84618)	26/43-153 (R.84619)	26/45-23 (R.91822)		

N.B. Válvulas disponibles en 0.003" y 0.015", utilizar los sufijos "A" y "B" respectivamente.
Consultar la lista de referencias cruzadas para identificar las válvulas correspondientes.
Valve available 0.003" and 0.015". When ordering state our part number with suffix "A" or "B" respectively. See cross-reference list for equivalent John Deere part number.

Las referencias originales tienen un propósito identificativo.
Nuestras piezas no son originales.

Part numbers are quoted for reference purposes only.
Our parts and accessories are not original.



JUNTAS DE MOTOR (EUROPA)
ENGINE GASKET SETS (EUROPE)

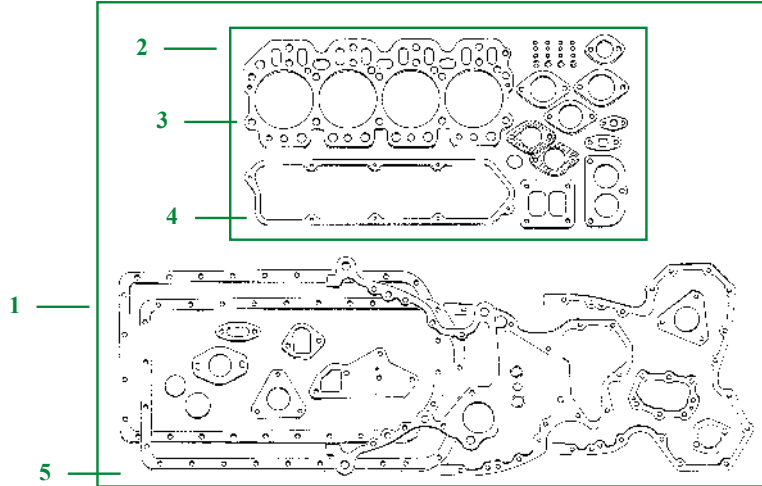


Fig.		1	2	3	4	5
Tractores Tractors	Cil. Cyl.	Juego de juntas completo Full gasket set (A)	Juego de juntas superior Top gasket set	Junta culata Cyl. head gasket	Junta balancin Rocker cover gasket	Junta cárter Sump gasket
310, 510, 1020 (⇄ 085099)	3	26/70-40 (AT.23201, RE.13255, RE.37487, RE.38855)	26/71-40 (AT.21626, AR.102295, RE.38848)	26/73-40 (R.52789, R.98460) Ø 115mm	26/74-40 (R.75729)	26/75-40 (R.97341)
830, 840, 930, 940 1020 (085100 ⇄), 1030, 1040, 1120, 1130, 1140, 1350, 1550, 1630, 1750, 1850, 1950, 2150		26/70-41 (RE.16912, RE.50978, AR.102298, RE.38853)	26/71-41 (AR.102297, , RE.38850, RE.37489)	26/73-41 (R.80241, R.59447, R.97356) Ø 119mm		
710, 2020, 2120	4	26/70-42 (DD.13273, RE.10535, RE.37486, RE.38854)	26/71-42 (AT.21627, AR.100417, RE.38847)	26/73-43 (R.59448, R.80242, R.92425)	26/74-43 (R.73521)	26/75-43 (R.97342, R.49515)
1640, 1830, 1840, 2030, 2040, 2040S, 2130, 2140, 2250, 2450, 2650, 2850, 6200, 6300		26/70-43 (AR.97178, AR.100424, RE.12459, RE.38857, RE.16922)	26/71-43 (AR.71992, RE.38851, RE.16920)			
6100		26/70-150 (RE.16934, RE.38599)				
6400, 6500		26/70-151 (RE.37715)				
3030, 3130, 3040, 3140, 4040, 4040S, 4050 (6593 ⇄)	6	26/70-45 (AR.97786, RE.38858, AR.102268, RE.16925)	26/71-45 (AR.71994, AR.102267, RE.16924, RE.38852)	26/73-45 (R.72791, R.59449, R.80243, R.92426)	26/74-45 (R.75728)	26/75-45 (R.97344)
3040, 3140 Con capacidad elevadora incrementada <i>With increasing lift capacity</i> 3050, 3350, 3640, 3650		26/70-46 (RE.18684, RE.19789, RE.37496, RE.44575, RE.38860)				
3120		26/70-44 (DD.13271, RE.13256, RE.37497, RE.38856)	26/71-44 (AR.61287, RE.13268)			
6600, 6800		26/70-45 (RE.38858)	26/71-45 (AR.71994, AR.102267, RE.16924, RE.38852)			
7400, 7600		26/70-153 (RE.38555, RE.38556)				

(A) : Los retenes delanteros y traseros no están incluidos: ver pag. 4 y 5 / *Front and rear seals are not included : see page 4 & 5*

Las referencias originales tienen un propósito identificativo.
Nuestras piezas no son originales.

*Part numbers are quoted for reference purposes only.
Our parts and accessories are not original.*



"THE RELIABLE SERVICE"



JUNTAS DE MOTOR (USA)
ENGINE GASKET SETS (USA)

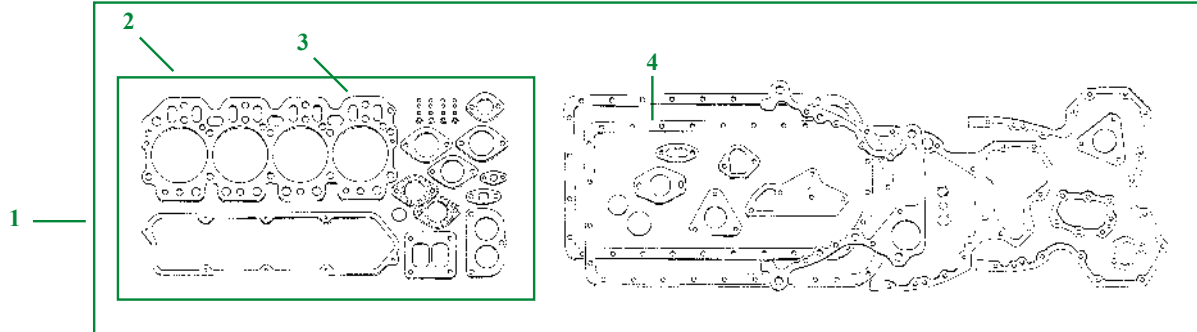
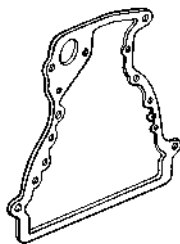


Fig.		1	2	3	4
Tractores Tractors	Cil. Cyl.	Juego de juntas completo Full gasket set (A)	Juego de juntas superior Top gasket set	Junta culata Cyl. head gasket	Junta cárter Sump gasket
4040, 4230	6	26/70-154 (AR.63938)	26/71-154 (AR.53630)	26/73-154 (R.48291)	26/75-46 (R.71918)
4050 (⇄ 6592), 4250, 4350, 4440, 4450, 4640, 4650, 4840, 4850, 8430, 8440, 8450		26/70-155 (AR.98845)	26/71-155 (AR.98851)	26/73-155 (R.55182, RE.34010)	
4055, 4255, 4455, 4555, 4560, 4755, 4760, 4855, 4955, 8100, 8200, 8300		26/70-156 (RE.35647)	26/71-156 (RE.29859)	26/73-156 (RE.47336)	26/75-45 (R.97344)
4240		26/70-157 (AR.100638)	26/71-157 (AR.100632)	26/73-157 (R.66065)	
4430, 4630 7020 (33845 ⇄)		26/70-158 (AR.63269)	26/71-158 (AR.63270)	26/73-154 (R.48291)	

(A) : Los retenes delanteros y traseros no están incluidos: ver pag. 6 / *Front and rear seals are not included : see page 6*

JUNTA DE CARTER DEL VOLANTE DEL MOTOR
FLYWHEEL HOUSING GASKET



26/17-10
(R.49516, R.70483, R.97351)

310, 510, 710, 820, 830, 840, 930, 940, 1020, 1030,
1040, 1120, 1130, 1140, 1630, 1640, 1830, 1840,
2020, 2030, 2040, 2040S, 2120, 2130, 2140, 3030,
3040, 4040

CORONA DE DISTRIBUCIÓN
FLYWHEEL GEAR



26/15-6
(T.20088)

(142 dientes / *teeth*)

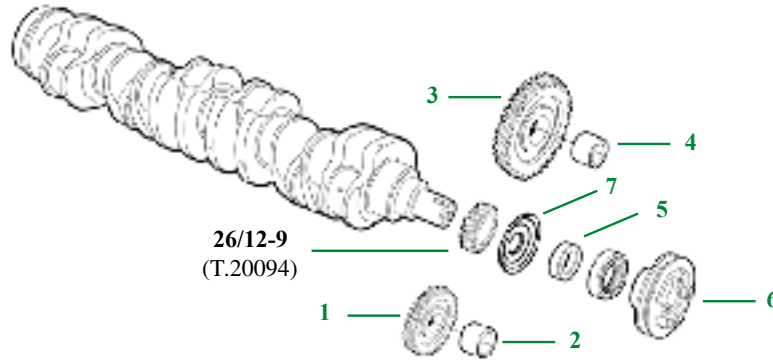
820, 830, 840, 920, 930, 940, 1020, 1030, 1040, 1120,
1130, 1140, 1350, 1630, 1640, 1750, 1830, 1840, 1850,
1950, 2020, 2030, 2040, 2040S, 2120, 2130, 2140, 2250,
2450, 2650, 2850, 3030, 3040, 3050, 3120, 3130, 3140,
3350, 3640, 3650, 6100, 6200, 6300

Las referencias originales tienen un propósito identificativo.
Nuestras piezas no son originales.

Part numbers are quoted for reference purposes only.
Our parts and accessories are not original.



ENGRANAJES DE DISTRIBUCIÓN
TIMING GEARS



(45Z = 45 dientes / Teeth)

Fig.	1	2	3	4	5	6	7
Tractores Tractors	Engranaje Gear	Anillo Ring	Engranaje Gear	Anillo Ring	Polea Pulley	Arandela Washer	
310, 510, 710, 820, 830, 840, 920, 930, 940, 1020, 1030, 1040, 1120, 1130, 1140, 1350, 1550, 1630, 1640, 1750, 1830, 1840, 1850, 1950, 1950N, 2020, 2030, 2040, 2040S, 2120, 2130, 2140, 2250, 2450, 2650, 2850, 3030, 3040, 3050, 3120, 3130, 3140, 3350, 3640, 3650, 4040, 4040S	26/82-6 (AT.24252) 45Z	26/84-2 (T.26321)	26/82-5 (AT.18009, AR.91660) 55Z	26/84-1 (T.20034)			26/11-14B (T.20046)
820, 830, 920, 930, 1020, 1030, 1120, 1130, 1630						26/59-4 (T.25366)	
1830, 2020, 2030, 2120, 2130						26/59-5 (R.59312, R.72111)	
3030, 3040, 3120, 3130, 3140, 3640, 4040, 4040S					26/11-14A (T.30413) (6 cil. /cyl.)		

EJE BALANCEADOR
BALANCER SHAFT

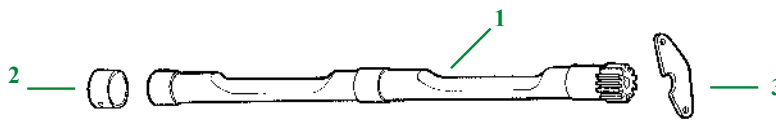


Fig.	1		2	3
Tractores Tractors	Eje derecho Shaft RH	Eje izquierdo Shaft LH	Buje Bush	Retén seguridad Fastener
710, 1640, 1830, 2020, 2030, 2040, 2040S, 2120, 2130, 2250, 2450, 2650	26/93-3 (AR.61351, RE.26282, RE.56349, AT.18155)	26/93-4 (AR.61352, RE.26283, RE.56350, AT.18156)	26/6094-1 (R.57160)	26/6095-1 (R.88112, T.20193)
1840, 2140, 2850				

Las referencias originales tienen un propósito identificativo.
Nuestras piezas no son originales.

Part numbers are quoted for reference purposes only.
Our parts and accessories are not original.



BOMBA ACEITE
OIL PUMP

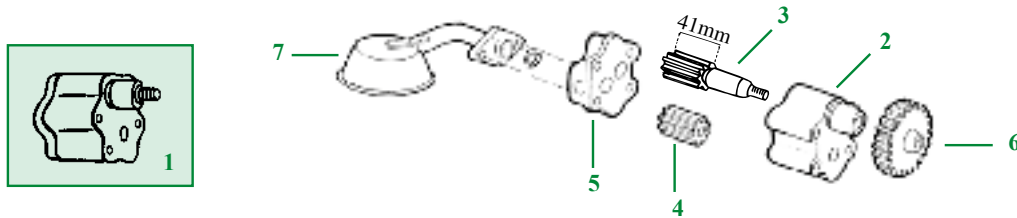


Fig.	1	2	3	4	5	6	7
Tractores Tractors	Bomba aceite Oil pump	Cuerpo Body	Engranaje Pinion		Tapa Cover	Engranaje Gear	Filtro Strainer
310, 510, 710, 820, 920							
830, 840, 930, 940, 1040, 1020, 1030, 1120, 1130, 1140, 1550, 1630, 1640, 1750, 1830, 1840, 1850, 1950, 2020, 2030, 2040, 2040S, 2120, 2130, 2140, 2250, 2450, 2650, 2850	26/90-29 (RE.35685) (A)	26/90-29A (AR.62979)	26/90-29B (AR.62978)	26/90-29C (R.54614)	26/90-29D (R.53382)	26/91-10 (T.20298)	26/87-6 (AR.60701, RE.36425)
3030, 3040, 3050, 3120, 3130, 3140, 3350, 3640, 3640S, 3650							26/87-7 (AR.59621)

(A) 26/90-29 se vende sin tapa (5), sin engranaje (6) y sin filtro (7).

(A) 26/90-29 delivered less end housing (5), less gear (6) and less strainer (7).

REFRIGERADOR DE ACEITE DEL MOTOR
ENGINE OIL COOLER

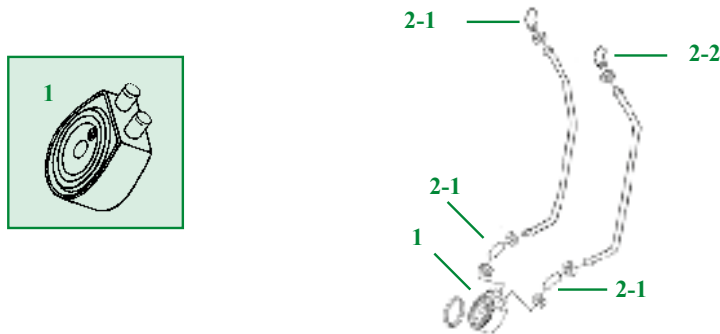


Fig.	1	2
Tractores Tractors	Refrigerador de aceite Oil cooler	Manguito Hose
820, 1020, 1030, 1040, 1140, 1640, 1840, 2030, 2040, 2040S, 2130, 2140, 2250, 2450, 2650, 2850, 3040, 3050, 3140, 3150, 3350, 3650, 4040, 4040S, 6200, 6300, 6400, 6500, 7400, 7600	26/6097-1 (AR.98852, RE.31929, RE.14448, RE.61767, RE.12261)	
1040, 1140, 1140V, 1630, 1640, 1840, 2030, 2040, 2040S, 2130, 2140, 2250, 2450, 2650, 3040, 3140, 3350, 4040, 4040S		26/6098-1 (T.22942, R.55127) (2-1)
1630, 2030, 2130		26/6098-2 (R.48989) (2-2)

Las referencias originales tienen un propósito identificativo.
Nuestras piezas no son originales.

Part numbers are quoted for reference purposes only.
Our parts and accessories are not original.



bepco tractor parts

JOHN DEERE
(REPLACEMENT PARTS)

**BOMBAS GAS-OIL
FUEL PUMPS**

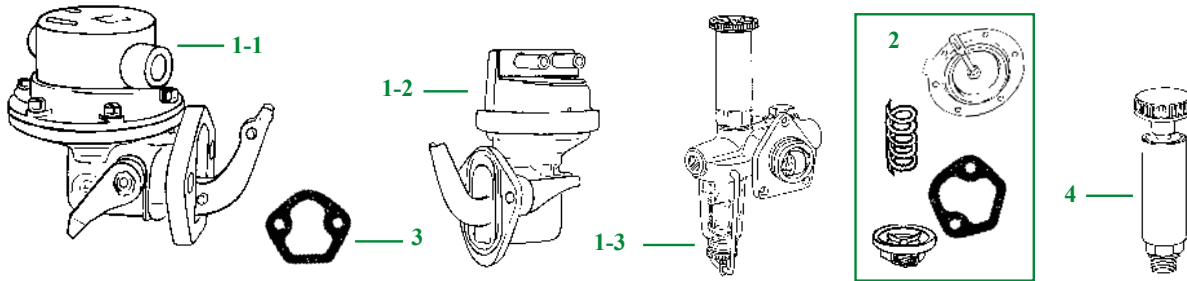


Fig.	1	2	3	4
Tractores Tractors	Bomba completa Complete pump	Juego de reparación Repair kit	Junta Gasket	Bomba pistón Hand primer
820, 830, 840, 920, 930, 940, 1020, 1030, 1040, 1120, 1130, 1140, 1630, 1640, 1830, 2020, 2030, 2040, 2040S, 2120, 2130, 2140, 3030, 3040, 3120, 3130, 3140, 3640, 4040, 4040S	26/100-21 Typo Corona Type (AR.52729, AR.77914, AR.92777, DD.13483, DD.14195, DD.14292) 1-1 26/100-29 Sustitución económica Economy replacement (RE.37482) 1-1	26/101-21 (DD.14194) (BCD-CORONA)	26/100-21G (R.27285)	
1350, 1550, 1750, 1850, 1850N, 1950, 1950N, 2250, 2450, 2650, 2650N, 2850, 3050, 3350, 3650	26/100-26 (RE.38009) 1-2			
4350, 4430, 4440	26/100-150 (AR.63831) Con equipo BOSCH With BOSCH Equip. 1-3			26/100-150P (R.70135) Con equipo BOSCH With BOSCH Equip.

**CALENTADORES
HEATER PLUGS**



26/60-6
(AR.63103, DDX.4375, AR.63105)



26/60-5
(AT.26190)

310, 510, 710, 820, 830, 840, 920, 930, 940, 1020, 1030, 1040, 1120, 1130, 1140, 1630, 1640, 1830, 1840, 2020,
2030, 2040, 2040S, 2120, 2130, 2140, 3030, 3040, 3120, 3130, 3140, 3640, 4040S

**TUBERÍA DE COMBUSTIBLE PARA CALENTADORES
FUEL LINE FOR HEATER PLUGS**

Con depósito combustible de plástico / With plastic fuel tank

26/61-1
(AR.94126)



820, 830, 840, 920, 940, 1020, 1030, 1040, 1120, 1130, 1140, 1630, 1830, 1840,
2020, 2030, 2040, 2040S, 2120, 2130, 2140, 3030, 3040, 3130, 3140, 3340, 3640

Las referencias originales tienen un propósito identificativo.
Nuestras piezas no son originales.

Part numbers are quoted for reference purposes only.
Our parts and accessories are not original.



TOBERAS Y PIEZAS DE CONEXIÓN
INJECTOR NOZZLES & PARTS

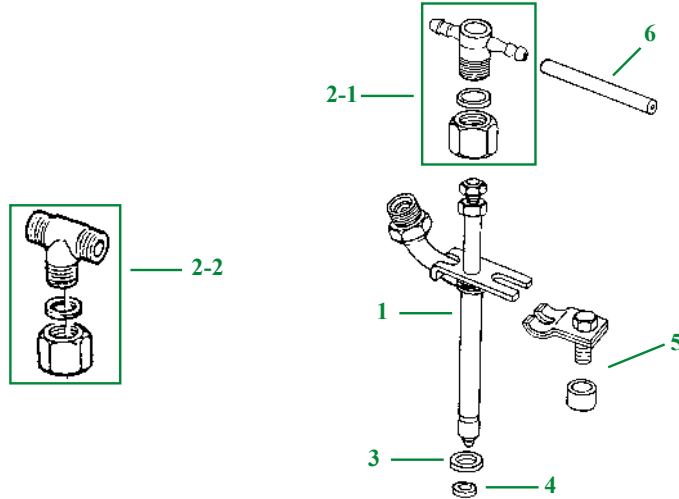
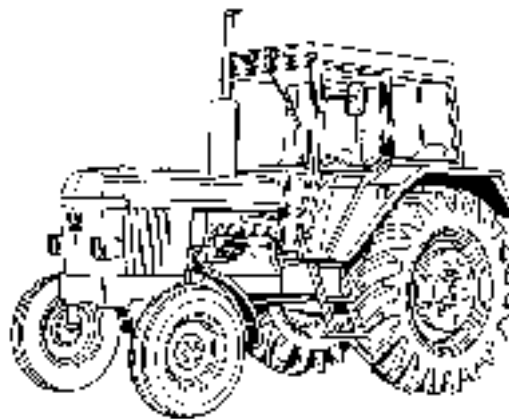


Fig.	1			2	3	4	5	6	
Tractores Tractors	Tobera Inj. nozzle	Presión Flow	No. tobera N° inj. nozzle	Unión Union	Retén Seal	Abrazadera Clamp	Manguito Hose		
310, 510, 710, 4040, 4040S, 4230									
Series 20, 30, 40 & 50 Sin Turbo / Less Turbo	26/117-44 (AR.89564, AR.89563)	210 bars	27333	26/113-2 (AT.27622) + (AT.29539) 2-1	26/119-2 (R.34764, R.60746) Juego 12 Set 12	26/116-1 (R.34760)	26/115-1 (T.27465, R.68283)		
Series 40 & 50 (↔ 753261) Con Turbo / With Turbo	26/117-45 (AR.90024, AR.90023)		27336	o / or					
Serie 50 (753262 ↔) Con Turbo / With Turbo	26/117-46 (RE.31757, RE.37503)		26993	26/113-3 (AR.85618) + (AT.29539) 2-2	26/119-3 (R.34767, R.48000) Juego 12 Set 12				26/115-2 (R.66090)
3300, 3300X, 3400, 3400X, 6100, 6200, 6300, 6400, 6600, 6800, 6900	26/117-47 (RE.36939, RE.38087)		28485 28484						
7600, 7700, 7800	26/117-48 (RE.48786, RE.44508)		29279						

We contribute his efficiency

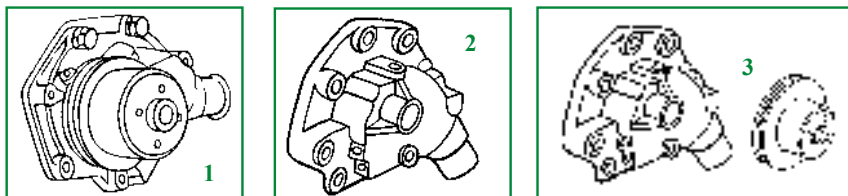


Las referencias originales tienen un propósito identificativo.
Nuestras piezas no son originales.

Part numbers are quoted for reference purposes only.
Our parts and accessories are not original.



BOMBAS DE AGUA Y JUEGOS DE REPARACIÓN- EUROPA
WATER PUMPS & REPAIR KITS - EUROPE



Tractores Tractors	Fig. Fig.	Ref. OEM OEM Ref.	Bomba Pump	Juego de reparación Repair kit
820, 830, 920, 930, 1020, 1030, 1120, 1130, 1630, 1830, 2020, 2030, 2120, 2130	1	(AT.27018, AT.29619 AR.65260, AR.85250)	26/130-41 (A-C)	26/131-21 (RE.11345)
510, 710, 1750, 1850, 1950				
840, 940, 1040, 1140	2	(AR.92416, RE.46257)	26/130-50 (B)	26/131-23 (RE.11347)
1640, 1840, 2040, 2040S, 2140	3	(AR.92417, AR.92418, AR.92903, RE.12836, RE.12835, RE.46238)	26/130-51 (A)	
2250, 2450, 2650, 2650N, 2850				
3030, 3120, 3130				26/131-22 (RE.11346)
3040, 3140, 3640, 4040, 4040S, 3050, 3350, 3650				26/131-24 (RE.11348)

(A) Con polea / *With pulley*

(B) Sin polea / *Without pulley*

(C) Bomba equipada para la instalación en tractores con o sin enfriador / *Pump supplied with parts for fitting on tractors with or without cooler*

JUEGOS REPARACIÓN BOMBA DE AGUA - USA
REPAIR KITS - WATER PUMPS - USA

Bomba marcada Pump marked	Motor Engine	Ref. Ref.	Dimensiones del eje Axle dimensions		
			Lg. total Total length	Ø rodamiento Bearing Ø	Ø eje Axle Ø
R.41316	4-270D 6-404D	26/131-50 (AR.9834) (A)	146mm (JD.9257)	38,1mm	18,95x15,90mm
R.26337, R.27547, R.34982, R.34977		26/131-51 (AR.55617) (A)	119,6mm (JD.9212)	30mm	18,97x15,97mm
R.41315, R.41318, R.44122		26/131-52 (AR.55619) (A)	118,95mm (JD.9355)	30mm	15,97x15,97mm
R.46561, R.50408, R.58713	6-404T 6-466D-T 6-466A	26/131-53 (B)	146mm (JD.9257)	38,1mm	18,93x15,90mm
R.54955	6-404T 6-466T	26/131-54 (B)	118,95mm (JD.9355)	30mm	15,97x15,97mm
R.50409, R.51683	6-404D	26/131-55 (A)		30mm	15,97x15,97mm

(A) Con turbina / *With impeller*

(B) Sin turbina / *Less impeller*

Las referencias originales tienen un propósito identificativo.
Nuestras piezas no son originales.

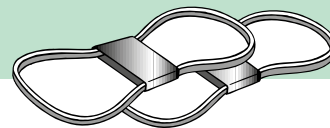
Part numbers are quoted for reference purposes only.
Our parts and accessories are not original.



bepco tractor parts

JOHN DEERE
(REPLACEMENT PARTS)

CORREAS DEL VENTILADOR
FAN BELTS



EUROPA / EUROPE

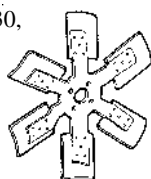
Tractores Tractors	Alternador Alternator	Bomba agua Water pump	Dinamo Dynamo
510, 710, 1020, 1120 (⇄ 075344), 2020, 2120 (⇄ 075344)		26/144-14 (T.23505)	
510, 820, 830, 920, 930, 1020, 1030, 1120 (075345 ⇄), 1130, 1630, 1830, 2020, 2030, 2120 (075345 ⇄), 2130	26/144-15 (T.20334)		
840, 940, 1040, 1140, 1350, 1550, 1640, 1750, 1840, 1850, 1950 (⇄ 788872), 2040, 2040S, 2140, 3120, 3030 (⇄ 318122), 3130 (⇄ 235169)	26/144-16 (R.73784, R.97940)		
1950 (788873 ⇄ 785962) Sin ventilador Visco-estatico / <i>Visco-static less fan</i>			
1950 (785963 ⇄) Con ventilador Visco-estatico / <i>Visco-static with fan</i>	26/144-50 (R.97939)		
2250, 2450, 2650, 2850 Con ventilador Visco-estatico / <i>Visco-static with fan</i>	26/144-51 (R.87153)		
2250, 2450, 2650, 2850 Sin ventilador Visco-estatico / <i>Visco-static less fan</i>	26/144-52 (R.87154)		
3030 (318123 ⇄), 3130 (235170 ⇄)	26/144-17 (N.150864)		
3040, 3140	26/144-18 (R.73785)		
3050, 3350 Con ventilador Visco-estatico / <i>Visco-static with fan</i>	26/144-53 (R.87152)		
3050, 3350, 3650 Sin ventilador Visco-estatico / <i>Visco-static less fan</i>	26/144-54 (R.87151)		
3640	26/144-19 (R.82174)		
3650 Con ventilador Visco-estatico / <i>Visco-static with fan</i>	26/144-55 (R.91407)		
4040, 4040S	26/144-20 (R.46113, R.79024)		

USA / USA

Tractores Tractors	Alternador Alternator	Bomba agua Water pump
4040, 4050, 4240, 4250, 4350, 4440, 4450, 4650, 4850		26/144-150 (AR.74662) Juego 2 - Set 2

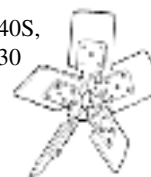
VENTILADORES
FAN BLADES

1040, 1140, 1750, 1830,
1850, 2030



26/145-19
(AT.26373)

1640, 1840, 2040, 2040S,
2140, 3030, 3120, 3130



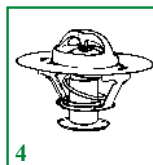
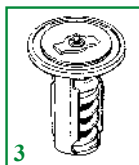
26/145-20
(AR.26382, RE.41269)

Las referencias originales tienen un propósito identificativo.
Nuestras piezas no son originales.

Part numbers are quoted for reference purposes only.
Our parts and accessories are not original.



TERMOSTATOS Y PIEZAS
THERMOSTATS & PARTS



Tractores <i>Tractors</i>	Fig. <i>Fig.</i>	Termostato <i>Thermostat</i>	
820, 830, 920, 930, 1950	1	26/143-10 (AT.22961)	82°
1020, 1030, 1120, 1130, 1630, 1830, 2030, 2035, 2020, 2120		26/143-10 (AT.22961)	82°
		26/143-11 (AT.22963)	88°
940, 1040, 1140, 1640, 1840, 2040, 2040S, 2130, 2140, 2250, 2450, 2650, 2850	2	26/143-12 (AR.61538)	82°
1550 (↔ 751243), 1750 (↔ 751243), 1850 (↔ 743472)			
1550 (751244 ↔), 1750 (751244 ↔), 1850 (743473 ↔)	1	26/143-10 (AT.22961)	
3120, 3130 (↔ 235169)	3	26/143-13 (AR.77411)	
3030, 3040, 3050, 3130 (235170 ↔), 3140, 3350, 3640, 3650, 4040S, 4050, 4055, 4250, 4255, 4350, 4450, 4455, 4555, 4650, 4755, 4850, 4955, 6100, 6200, 6300, 6400, 6506, 6600, 6800, 6900, 7600, 7700, 7800, 8100, 8200, 8300, 8400	4	26/143-14 (AR.48675)	

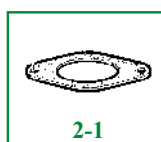
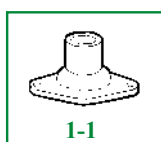


Fig.	1	2
Tractores <i>Tractors</i>	Base <i>Flange</i>	Junta <i>Gasket</i>
310, 510, 710, 1830, 2030, 2130	26/149-1 (T.20317) 1-1	26/147-3 (T.20215) 2-1
820, 830, 920, 930, 1020, 1030, 1120, 1130, 1350, 1550, 1630, 1750, 1850, 1950, 2020, 2030, 2120, 2130	26/149-2 (T.23620) 1-2	
840, 940, 1040, 1140, 1350, 1550, 1640, 1840, 2040, 2040S, 2140, 2250, 2450, 2650, 2850		
3030, 3040, 3050, 3130, 3140, 3350, 3640, 3650, 4040, 4040S, 6100, 6200, 6300, 6400, 6506, 6600, 6800, 6900, 7600, 7700		26/147-4 (R.54638) 2-2

Las referencias originales tienen un propósito identificativo.
Nuestras piezas no son originales.

Part numbers are quoted for reference purposes only.
Our parts and accessories are not original.

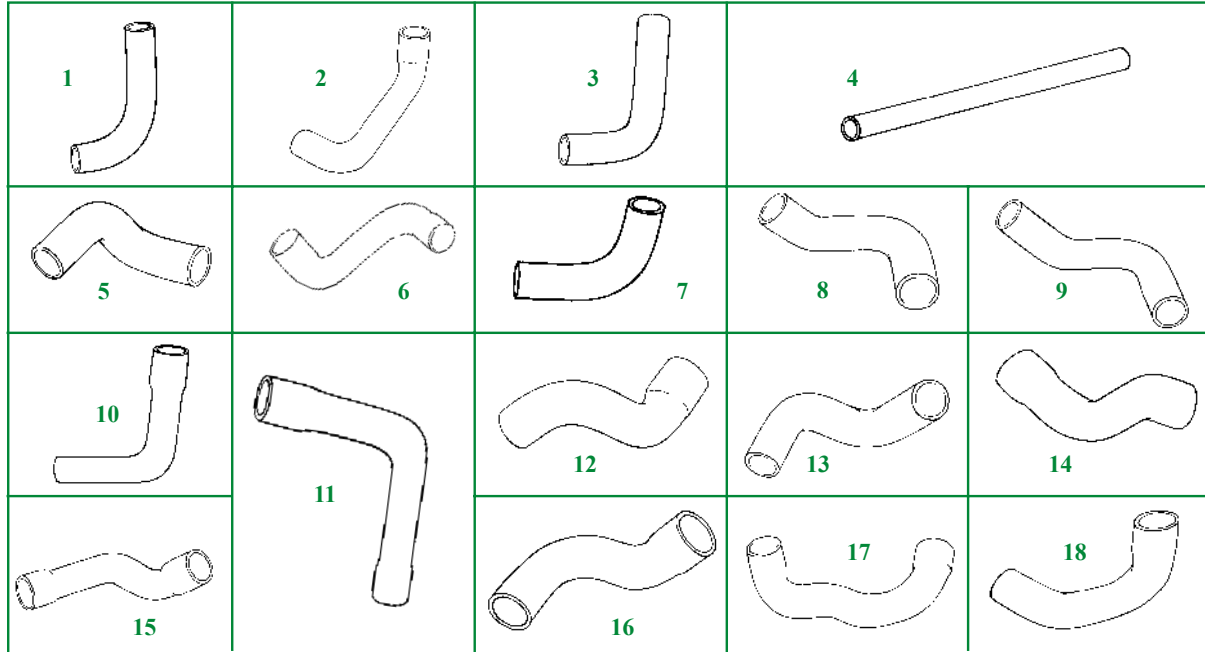


"THE RELIABLE SERVICE"



(Ed.2) 10/01

MANGUITOS RADIADOR
RADIATOR HOSES



Tractores Tractors	Fig. Fig.	Manguito By-pass	Fig. Fig.	Manguito superior Top hose	Fig. Fig.	Manguito inferior Bottom hose
820, 830, 920, 930, 1020, 1030, 1130, 1630,	1	26/141-5 (T.20277)	5	26/153-16 (T.23534)	13	26/154-16 (T.22500)
840, 940, 1040, 1140	2	26/141-8 (R.70737)	6	26/153-20 (L.34920)		
1350, 1550, 1750, 1850 (⇄ 751243)						
1350, 1550, 1750, 1850 (751244 ⇄)	1	26/141-5 (T.20277)	7	26/153-17 (L.29263, T.23533)		
1830, 2020, 2030, 2120	3	26/141-6 (L.35843, R.60765, R.42281)	7	26/153-17 (L.29263, T.23533)		
1640, 1840, 2040, 2040S, 2140	2	26/141-8 (R.70737)	8	26/153-21 (L.34898)	14	26/154-21 (L.34921)
2250, 2450, 2650, 2650N			9	26/153-70 (L.56296)	15	26/154-70 (L.56295)
3120	4	26/141-7 (T.25471)	10	26/153-18 (T.28425)	16	26/154-18 (T.28426)
3030, 3130 (⇄ 189677)			11	26/153-19 (L.31795)		
3030, 3130 (189678⇄)			12	26/153-22 (L.32456)	17	26/154-22 (L.34922)
3040, 3140, 3640					18	26/154-23 (L.32468)
4040, 4040S						

Las referencias originales tienen un propósito identificativo.
Nuestras piezas no son originales.

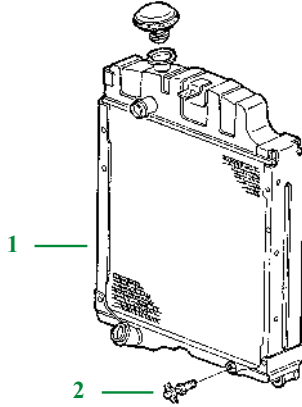
Part numbers are quoted for reference purposes only.
Our parts and accessories are not original.



bepco tractor parts

JOHN DEERE
(REPLACEMENT PARTS)

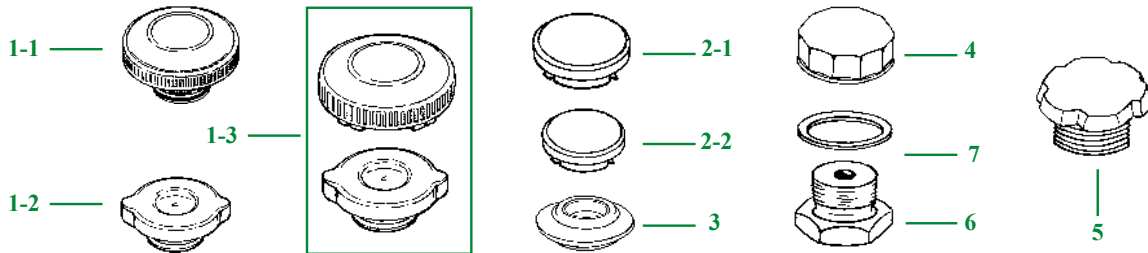
**RADIADOR
RADIATOR**



(A) También para bloque / Also fits engine housing

Fig.	1	2
Tractores Tractors	Radiador Radiator	Grifo (A) Drain valve
310, 510, 710, 820, 830, 840, 920, 930, 940, 1020, 1030, 1040, 1120, 1130, 1140, 1350, 1630, 1640, 1750, 1830, 1850, 1950, 2020, 2030, 2130, 2140, 2250, 2450, 2650, 2850, 3030, 3040, 3050, 3120, 3130, 3140, 3150, 3350, 3640, 3650, 4040, 4040S, 4020, 4050, 4055, 4230, 4240, 4250, 4255, 4350, 4430, 4440, 4450, 4455, 4555, 4755, 4955		26/152-2 (AT.13740) 1/4"
1640, 1840, 2040, 2040S, 2140	26/150-36 (AL.37568, AL.31237)	

**TAPONES (DIVERSOS)
CAPS (MISCELLANEOUS)**



(A) Para depósito de plástico / For plastic tank

(B) Para depósito metálico / For metallic tank






Fig.	1	2	3	4	5	6	7
Tractores Tractors	Tapón radiador Radiator cap	Tapón depósito Fuel tank cap	Anillo Ring	Tapón aceite Oil filler cap	Tapón del hidráulico Hydr. lift housing cap	Tapón carter Sump plug	Arandela Washer
820, 830, 840, 920, 930, 940, 1020, 1030, 1040, 1120, 1130, 1140, 1630, 1640, 1830, 1840, 2020, 2030, 2040, 2120, 2130, 2140, 3030, 3040, 3120, 3130, 3140	26/151-9 (AT.29054) 1-1	26/105-5 (AT.20911) Ø 73mm (B) 2-2	26/6105-1 (R.39613)	26/85-7 (T.20294)	26/85-8 (L.29872, T.21563, AL.38083, AL.32620)	26/88-7 (T.20098) Para carter de acero For steel sump	26/6088-7 (T.13213)
840, 940, 1040, 1140, 1350, 1550, 1640, 1750, 1840, 1850, 2040, 2040S, 2140, 3040, 3140, 3640	26/151-10 (AL.38374) 1-3	26/105-9 (AL.34678) Ø 98mm (A) Rojo / Red 2-1				26/88-8 (M.1746T) For cast iron sump	
2250, 2450, 2650, 2850, 3050, 3350, 3650	26/151-20 (AL.56759) 1-2						
4020, 4040, 4040S, 4050, 4055, 4230, 4240, 4250, 4255, 4350, 4430, 4440, 4450, 4455, 4555, 4755, 4955		26/105-5 (AT.20911) Ø 73mm (B) 2-2	26/6105-1 (R.39613)	26/85-7 (T.20294)			

Las referencias originales tienen un propósito identificativo.
Nuestras piezas no son originales.

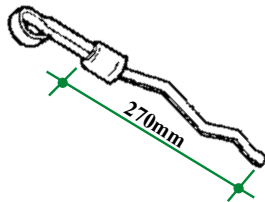
Part numbers are quoted for reference purposes only.
Our parts and accessories are not original.



INTERRUPTORES VARIOS
SWITCHES (MISCELLANEOUS)

<p>26/180-5 (DE.12465, AL.24527, AZ.15473, RE.51774)</p>	<p>Sensor de temperatura Rosca 1/2" BSP <i>Temperature sender</i> <i>Thread 1/2" BSP</i></p>		<p>820, 830, 840, 920, 930, 940, 1020, 1030, 1040, 1120, 1130, 1140, 1350, 1550, 1630, 1640, 1750, 1830, 1840, 1850, 1950, 2020, 2030, 2040, 2040S, 2120, 2130, 2140, 2250, 2450, 2650, 2850, 3030, 3040, 3050, 3120, 3130, 3140, 3350, 3640, 3650</p>
<p>26/180-6 (DX.10361, DE.11572)</p>	<p>Sensor de temperatura Rosca 5/8" UNF <i>Temperature sender</i> <i>Thread 5/8" UNF</i></p>		<p>820, 830, 840, 920, 930, 940, 1020, 1030, 1040, 1130, 1140, 1630, 1640, 1830, 1840, 2020, 2030, 2040, 2040S, 2120, 2130, 2140, 2250, 2450, 2650, 2850, 3030, 3040, 3120, 3130, 3140, 3350, 3640, 3650</p>
<p>26/187-7 (R.36265, AT.31756, AR.89691, AR.85323, AT.85153, AL.58356)</p>	<p>Interruptor de seguridad <i>Safety switch</i></p>		<p>820, 830, 840, 920, 930, 940, 1020, 1030, 1040, 1130, 1140, 1630, 1640, 1830, 1840, 2020, 2030, 2040, 2040S, 2120, 2130, 3030, 3040, 3120, 3130, 3140, 3340, 3640, 3640S, 4040, 4040S, 4230, 4240, 4240S, 4350, 4430, 4440</p>
<p>26/187-3 (AL.27809, AL.67715)</p>	<p>Interruptor de luz de parada <i>Stop light switch</i></p>		<p>820, 830, 840, 920, 930, 940, 1020, 1030, 1040, 1120, 1130, 1140, 1350, 1550, 1630, 1640, 1750, 1850, 1950, 2020, 2030, 2040, 2040S, 2120, 2130, 2140, 2250, 2450, 2650, 2850, 3030, 3040, 3050, 3130, 3140, 3350, 3640, 3650, 4040, 4040S, 4230, 4240, 4350, 4430, 4440</p>
<p>26/186-4 (AR.27977, AT.85174)</p>	<p>Interruptor presión aceite <i>Oil pressure switch</i></p>		<p>310, 510, 710, 820, 830, 840, 920, 930, 940, 1020, 1030, 1040, 1120, 1130, 1140, 1350, 1550, 1630, 1640, 1750, 1830, 1840, 1850, 1950, 2020, 2030, 2040, 2040S, 2120, 2130, 2140, 2250, 2450, 2650, 2850, 3030, 3040, 3050, 3100, 3120, 3130, 3140, 3200, 3200X, 3300, 3300X, 3350, 3400, 3400X, 3640, 3650</p>

VARILLA DEL ACEITE
ENGINE OIL DIPSTICK



26/86-11
(AT.21534, AR.78192, RE.47261, RE.49440)

310, 510, 710, 820, 830, 840, 920, 930, 940, 1020, 1030, 1040, 1120, 1130, 1140, 1630, 1830, 2020, 2030, 2120, 2130, 2250, 2450, 2650, 2650N, 2850, 3030, 3040, 3050, 3130, 3140, 3350, 3640, 3640S, 3650, 4040, 4040S

Las referencias originales tienen un propósito identificativo.
Nuestras piezas no son originales.

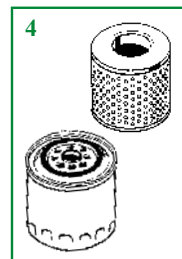
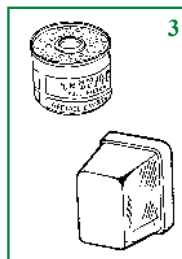
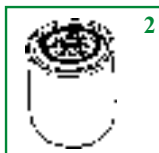
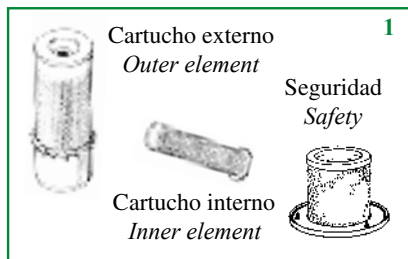
Part numbers are quoted for reference purposes only.
Our parts and accessories are not original.



bepco tractor parts

JOHN DEERE
(REPLACEMENT PARTS)

FILTROS
FILTERS



Tractores <i>Tractors</i>	1		2	3	4
	Aire / Air		Aceite <i>Oil</i>	Combustible <i>Fuel</i>	Hidráulico <i>Hydraulic</i>
	Ext. / Out.	Int. / Inn.			
T300, T500, T700			60/97-7 (T.19044)	60/111-28 (L.12824)	
310, 510, 710, 820, 920	60/161-7 (AT.20728) Ht.: 285mm			60/111-3 (AT.17387) (Sust./Repl. CAV 296)	60/240-2 (AR.75603) Ht.: 140 mm Sin / Less HI-LO Ø Int. / Int. 56/56mm
830, 930, 1020, 1030, 1120, 1130, 1630, 1830, 2020, 2030, 2120, 2130, 3020, 3120, 4020	60/161-7 (AT.20728) (⇨ 190319) Ht.: 285mm 60/161-8 (AR.84228, AL.65501) (190320 ⇨) Ht.: 315mm	60/162-8 (AL.27159, AE.31724) Ht.: 281mm		60/111-3 (AT.17387) (Sust./Repl. CAV 296) (⇨ 173884) 60/111-12 (AR.50041) (173885 ⇨)	o / or 60/240-1 (AL.25554) Con / With HI-LO Ø Int. / Int. 56/12mm
840, 940, 1040, 1140, 1640, 1840, 2040, 2040S	60/161-8 (AR.84228, AL.65501) Ht.: 315mm	60/162-8 (AL.27159, AE.31724) Ht.: 281mm		60/111-12 (AR.50041)	60/240-2 (AR.75603) Ht.: 140mm o / or 60/240-3 (AR.94510, AR.98098) Ht.: 201mm
1350, 1550, 1750, 1850, 1950, 2150, 2350, 2550					60/240-2 (AR.75603) Ht.: 140mm 60/655-14 (AL.56469) (Retorno/Return)
2140, 3040, 3140	60/161-10 (AL.30394) Ht.: 374mm	60/162-10 (AL.30395) Ht.: 332 mm o / or 60/162-102 (L.34832) Ht.: 306mm			60/240-2 (AR.75603) Ht.: 140mm o / or 60/240-3 (AR.94510, AR.98098) Ht.: 201mm

Las referencias originales tienen un propósito identificativo.
Nuestras piezas no son originales.

Part numbers are quoted for reference purposes only.
Our parts and accessories are not original.



"THE RELIABLE SERVICE"



bepco tractor parts
JOHN DEERE
 (REPLACEMENT PARTS)

Tractores Tractors	1		2	3	4			
	Aire / Air					Aceite Oil	Combustible Fuel	Hidráulico Hydraulic
	Ext. / Out.	Int. / Inn.						
2250, 2450, 2650	60/161-35 (AZ.20623) (Φ 634102) Ht.: 353mm 60/161-8 (AR.84228, AL.65501) (634103 Φ) Ht.: 315mm	60/162-35 (AL.58730, AL.67195) Ht.: 235mm 60/162-8 (AL.27159, AE.31724) Ht.: 281mm			60/240-2 (AR.75603) Ht.: 140mm 60/655-14 (AL.56469) (Retorno/Return)			
2750, 2850, 2950	60/161-10 (AL.30394) Ht.: 374mm o / or 60/161-35 (AZ.20623) Ht.: 353mm	60/162-10 (AL.30395) Ht.: 332mm o / or 60/162-35 (AL.58730, AL.67195) Ht.: 235mm						
3030, 3130	60/161-9 (AL.27158) Ht.: 260mm	60/162-9 (AL.27160) Ht.: 229mm			60/240-2 (AR.75603) Ht.: 140mm Sin / Less HI-LO Ø Int. / Int. 56/56mm o / or 60/240-1 (AL.25554) Ht.: 137mm Con / With HI-LO Ø Int. / Int. 56/12mm			
3050, 3350	60/161-35 (AZ.20623) Ht.: 353mm o / or 60/161-9 (AL.27158) Ht.: 260mm	60/162-35 (AL.58730, AL.67195) Ht.: 235mm o / or 60/162-9 (AL.27160) Ht.: 229mm			60/240-2 (AR.75603) Ht.: 140mm			
3640	60/161-10 (AL.30394) Ht.: 374mm	60/162-10 (AL.30395) Ht.: 332mm o / or 60/162-102 (L.34832) Ht.: 308mm			60/655-14 (AL.56469) (Retorno/Return)			
3650	60/161-31 (AZ.30757) Ht.: 375mm	60/162-31 (AL.61764) Ht.: 373mm						
4030	60/161-11 (AR.79941) Ht.: 394mm	60/162-11 (AR.79942) Ht.: 340mm			60/240-2 (AR.75603) Ht.: 140mm			

Las referencias originales tienen un propósito identificativo.
 Nuestras piezas no son originales.

Part numbers are quoted for reference purposes only.
 Our parts and accessories are not original.

(Ed.2) 10/01


"THE RELIABLE SERVICE"


JD - 31

bepco tractor parts
JOHN DEERE
 (REPLACEMENT PARTS)

Tractores Tractors	1		2	3	4
	Aire / Air		Aceite Oil	Combustible Fuel	Hidráulico Hydraulic
	Ext. / Out.	Int. / Inn.			
4040, 4040S			60/97-7 (T.19044)	60/111-12 (AR.50041)	60/240-3 (AR.94510, AR.98098) Ht.: 201mm
4040 (US), 4230, 4240	60/161-11 (AR.79941) Ht.: 394mm	60/162-11 (AR.79942) Ht.: 340mm	60/97-20 (AR.43634)	60/111-12 (AR.50041) + 60/111-29 (AR.86755) (Con separador de agua With water separated)	60/240-2 (AR.75603) Ht.: 140mm o / or 60/240-3 (AR.94510, AR.98098) Ht.: 201mm
4050, 4250, 4350, 4450			60/97-17 (AR.101278, RE.46380, RE.57394)	60/111-27 (AR.86745) + 60/111-29 (AR.86755) (Con separador de agua With water separated)	60/240-3 (AR.94510, AR.98098) Ht.: 201mm
4055, 4255, 4455					
4320	60/161-37 (AR.79679) Ht.: 425mm	60/162-37 (AR.79680) Ht.: 356mm	60/97-20 (AR.43634)	60/111-12 (AR.50041)	60/240-2 (AR.75603) Ht.: 140mm
4430				60/111-12 (AR.50041) + 60/111-29 (AR.86755) (Con separador de agua With water separated)	60/240-2 (AR.75603) Ht.: 140mm (⇆ 048974) o / or 60/240-3 (AR.94510, AR.98098) Ht.: 201mm (048975 ⇆)
4440				60/111-12 (AR.50041)	60/240-3 (AR.94510, AR.98098) Ht.: 201mm
4520, 4620					60/240-2 (AR.75603) Ht.: 140mm
4555, 4650, 4755, 4850, 4955	60/161-150 (AR.80652) Ht.: 492mm	60/162-150 (AR.80653) Ht.: 398mm	60/97-17 (AR.101278, RE.46380, RE.57394)		60/240-3 (AR.94510, AR.98098) Ht.: 201mm

Las referencias originales tienen un propósito identificativo.
Nuestras piezas no son originales.

Part numbers are quoted for reference purposes only.
Our parts and accessories are not original.



"THE RELIABLE SERVICE"



bepco tractor parts

JOHN DEERE
(REPLACEMENT PARTS)

Tractores Tractors	1		2	3	4
	Aire / Air		Aceite Oil	Combustible Fuel	Hidráulico Hydraulic
	Ext. / Out.	Int. / Inn.			
4630			60/97-20 (AR.43634)	60/111-27 (AR.86745) + 60/111-29 (AR.86755) (Con separador de agua With water separated)	60/240-2 (AR.75603) Ht.: 140mm (Φ 015516) 60/240-3 (AR.94510, AR.98098) Ht.: 201mm (015517 Φ)
4640, 4840	60/161-150 (AR.80652) Ht.: 492mm	60/162-150 (AR.80653) Ht.: 398mm		60/111-12 (AR.50041) + 60/111-29 (AR.86755) (Con separador de agua With water separated)	60/240-3 (AR.94510, AR.98098) Ht.: 201mm
4650, 4850			60/111-27 (AR.86745) + 60/111-29 (AR.86755) (Con separador de agua With water separated)		
6100, 6200, 6300, 6400	60/161-32 (AL.78223) Ht.: 310mm	60/162-32 (AL.78224) Ø 128mm (Seguridad Safety)	60/97-7 (T.19044)	60/111-26 (RE.53400)	60/97-18 (RE.34958) Ht.: 240mm 60/97-19 (AL.77061) Ht.: 155mm (Caja de cambios Gear box)
6600, 6800, 6900	60/161-34 (AL.78869) Ht.: 313mm	60/162-34 (AL.78870) Ø 161mm (Seguridad Safety)			
7020, 7520			60/97-20 (AR.43634)	60/111-12 (AR.50041)	60/240-2 (AR.75603) Ht.: 140mm
7600	60/161-30 (RE.34962) Ht.: 330mm o / or 60/161-34 (AL.78869) Ht.: 313mm	60/162-30 (RE.34963) Ht.: 300mm o / or 60/162-34 (AL.78870) Ø 161mm (Seguridad Safety)	60/97-7 (T.19044)	60/111-26 (RE.53400)	60/641-10 (RE.39527) Ht.: 240mm 2 x

Las referencias originales tienen un propósito identificativo.
Nuestras piezas no son originales.

Part numbers are quoted for reference purposes only.
Our parts and accessories are not original.

(Ed.2) 10/01



"THE RELIABLE SERVICE"



JD - 33

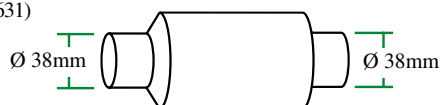
bepco tractor parts

JOHN DEERE
(REPLACEMENT PARTS)

Tractores Tractors	1		2	3	4
	Aire / Air		Aceite Oil	Combustible Fuel	Hidráulico Hydraulic
	Ext. / Out.	Int. / Inn.			
7700	60/161-36 (RE.34966) Ht.: 400mm	60/162-36 (RE.34967) Ht.: 374mm	60/97-17 (AR.101278, RE.46380, RE.57394)	60/111-26 (RE.53400)	60/641-10 (RE.39527) Ht.: 240mm 2 x
7800	<i>o / or</i>	<i>o / or</i>		60/111-27 (AR.86745)	
8100, 8200, 8300	60/161-151 (RE.51629) Ht.: 385mm	60/162-151 (RE.51630) Ht.: 377mm		60/111-27 (AR.86745) + 60/111-29 (AR.86755) (Con separador de agua With water separated)	60/641-16 (RE.51797) Ht.: 362mm
8430	60/161-152 (9677, AR.70106) Ht.: 518mm	60/162-152 (9678, AR.70107) Ht.: 468mm	60/97-20 (AR.43634)	60/111-12 (AR.50041) + 60/111-29 (AR.86755) (Con separador de agua With water separated)	60/240-2 (AR.75603) Ht.: 140mm (☞ 005625)
8440	60/161-150 (AR.80652) Ht.: 492mm	60/162-150 (AR.80653) Ht.: 398 mm			60/240-3 (AR.94510, AR.98098) Ht.: 201mm (005626 ☞)
8630, 8640	60/161-152 (AR.70106) Ht.: 518mm	60/162-152 (AR.70107) Ht.: 468mm	60/97-17 (AR.101278, RE.46380, RE.57394)	60/111-27 (AR.86745) + 60/111-29 (AR.86755) (Con separador de agua With water separated)	60/240-2 (AR.75603) Ht.: 142mm (☞ 007636)
8450, 8650, 8850					60/240-3 (AR.94510, AR.98098) Ht.: 201mm (007637 ☞)
3100, 3200, 3200X, 3300, 3300X, 3400, 3400X	60/161-153 (RT.6005011111) Ht.: 353mm	60/162-153 (RT.6005011112) Ht.: 344mm	60/97-7 (T.19044)	60/111-26 (RE.53400)	60/655-6 (RT.6005003244)

FILTRO RESPIRADOR (HIDRÁULICO)
BREATHER FILTER (HYDRAULIC)

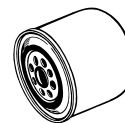
60/641-12
(RT.6005007631)



3100, 3200, 3200X, 3300, 3300X, 3400, 3400X

FILTRO DE AGUA
WATER FILTER

60/156-2
(AR.89381)



4040, 4040S, 4440, 4640, 4840, 8430, 8450,
8630, 8640, 8650, 8850

Las referencias originales tienen un propósito identificativo.
Nuestras piezas no son originales.

Part numbers are quoted for reference purposes only.
Our parts and accessories are not original.



PRE-FILTRO DE AIRE
AIR PRE-CLEANERS

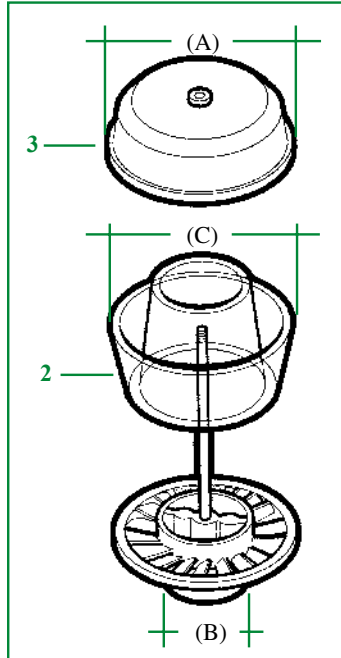
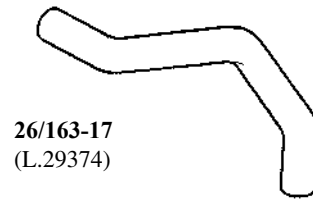


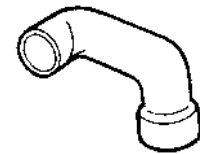
Fig.	1	2	3
Tractores Tractors	Pre-filtro de aire completo Air pre-cleaner assy	Vaso Bowl	Tapa Dust shield
940, 1020, 1030, 1040, 1120, 1130, 1140, 1630, 1640, 1830, 1840, 2020, 2030, 2040, 2120, 2130, 2250, 2450, 2650, 2850	26/168-3 (AL.39934, AL.37357) (A) 186mm (B) Ø 80mm	26/169-3 (R.28794) (C) 182mm	26/168-3A (AL.37364, FE.0648) (A) 186mm
2140, 3030, 3040, 3050, 3120, 3130, 3140, 3350, 3640, 3650	26/168-4 (AZ.24175) (A) 269mm (B) Ø 80mm	26/169-4 (L.28519) (C) 265mm	26/168-4A (AR.1729R, FE.6548) (A) 269mm
2140, 3030, 3040, 3050, 3120, 3130, 3140, 3350, 3640, 3650 <i>Versión económica</i> <i>Economy version</i>	26/168-16 (AZ.24175)	26/169-11 (L.28519)	

MANGUITO DE FILTRO DE AIRE
AIR CLEANER HOSES



26/163-17
(L.29374)

820, 830, 920, 930, 1020, 1030, 1120, 1130, 1630



26/163-18
(L.29373)

820, 830, 920, 930, 1020, 1030, 1120, 1130, 1630, 1830, 2030, 2130

EVACUADOR
EVACUATOR

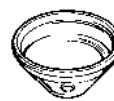
26/155-1
(T.23262, T.23263)



820, 830, 840, 930, 940, 1020, 1030, 1040, 1120, 1130, 1140, 1350, 1550, 1630, 1640, 1750, 1830, 1840, 1850, 2020, 2030, 2040, 2040S, 2120, 2130, 3040, 3140, 3640

VASO CRISTAL
FUEL GLASS BOWL

26/112-2
(R.56434, T.19119)



Tipo : CAV
Base convexa/ *Convex bottom*
Altura/ *Height* 43mm
Ø agujero/ *hole* Ø : 17,4mm

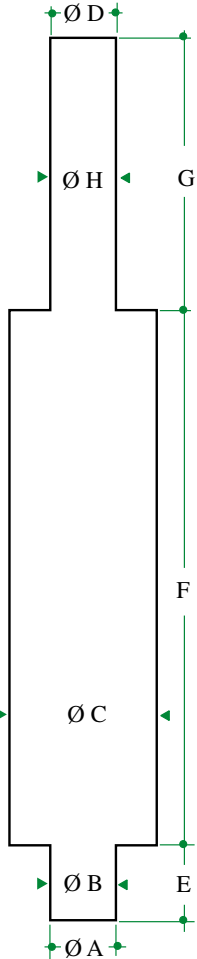
310, 510, 710, 820, 830, 920, 930, 1020, 1030, 1120, 1130, 1630, 1830, 2020, 2030, 2120, 2130, 3020, 3120, 4020

Las referencias originales tienen un propósito identificativo.
Nuestras piezas no son originales.

Part numbers are quoted for reference purposes only.
Our parts and accessories are not original.

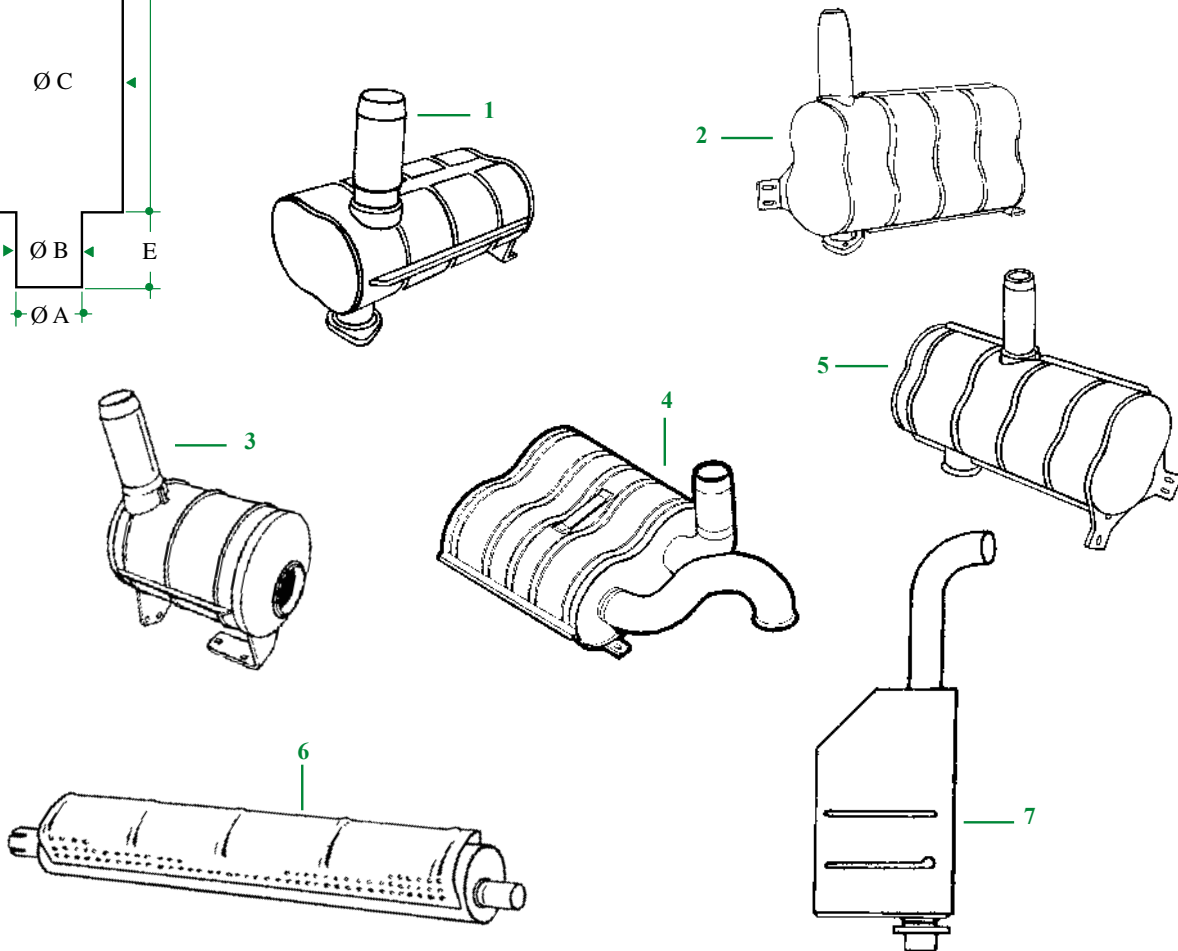


SILENCIOSOS
SILENCERS



Referencia Reference	A	B	C	D	E	F	G	H
26/165-82 (AT.21795)	52	55	120	41	55	79	60	45
26/165-15 (AL.27388)	63	66	138/220	48	90	485	225	51
26/165-16 (AL.27389)	63	66	117/215	48	200	500	160	51
26/165-17 (AL.24553)	74	76	112/230	64	100	620	200	66
26/165-86 (AR.41171, AR.86595)	75	78	110/230	54	88	490	100	57
26/165-83 (AR.86599, RE.20224)	99	104	112/220	88	20	845	90	92
26/165-85 (AR.48773, AR.61073)	101	104	112/210	85	28	840	65	90

Dimensiones en mm / size in mm

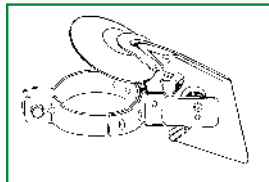


Las referencias originales tienen un propósito identificativo.
Nuestras piezas no son originales.

Part numbers are quoted for reference purposes only.
Our parts and accessories are not original.



SILENCIOSOS
SILENCERS



Junta colector
Exhaust manifold gasket

26/66-12 Todos los tractores
(T.20006) *All tractors*



Tractores Tractors	Fig. Fig.	Silencioso Silencer	Tubo Pipe	Junta Gasket	Tapa Weathercap
830, 840, 930, 940, 1020, 1030, 1040, 1120, 1130, 1140, 1350, 1550, 1630, 1750, 1850, 1850N	Vertical Vertical	26/165-15 (AL.27388)	26/166-1 (R.38358)	26/6167-2 (T.20141)	70/2930-51 (AT.10611)
840, 940, 1040, 1140, 1350, 1550, 1750, 1850, 1850N	1	26/165-18 (AL.31552)	26/166-5 (AL.34694) 1050mm 26/166-6 (AL.31863) 1200mm	26/6167-1 (L.34455, L.62441)	70/2930-76 (AL.28307)
1830, 2020, 2030, 2120, 2130	Vertical Vertical	26/165-16 (AL.27389)	26/166-1 (R.38358)	26/6167-2 (T.20141)	70/2930-51 (AT.10611)
1640, 1840, 2040, 2040S, 2250, 2450	2	26/165-20 (AL.31492)	26/166-5 (AL.34694) 1050mm 26/166-6 (AL.31863) 1200mm	26/6167-1 (L.34455, L.62441)	70/2930-76 (AL.28307)
2140, 2650, 2850	3	26/165-22 (AL.35753)	26/166-7 (AL.31862) 1330mm		
3030, 3120, 3130	Vertical Vertical	26/165-17 (AL.24553)	26/166-2 (T.32537)		70/2930-70 (AT.32240)
3040, 3140 (⇨ 252123)	4	26/165-24 (AL.30338)	26/166-5 (AL.34694) 1050mm 26/166-6 (AL.31863) 1200mm	26/6167-3 (R.31142, 51M7057)	70/2930-76 (AL.28307)
3040, 3050, 3140 (252124 ⇨), 3150, 3350, 3640	5	26/165-25 (AL.37167)	26/166-7 (AL.31862) 1330mm		
4040, 4040S, 4050, 4250, 4440, 4450	Vertical Vertical	26/165-83 (AR.86599, RE.20224)			70/2930-95 (AR.86600)
830, 930, 1020, 1030, 1120, 1130, 1630, 1830, 2020, 2030, 2120, 2130	6 Horizontal Horizontal	26/165-82 (AT.21795)			
1035EV, 1635EV	7	26/165-84 (DE.12410)			
4320, 4430, 4630	Vertical Vertical	26/165-85 (AR.48773, AR.61073)			70/2930-95 (AR.86600)
4020, 4230, 4240	Vertical Vertical	26/165-86 (AR.41171, AR.86595)			70/2930-57

Las referencias originales tienen un propósito identificativo.
Nuestras piezas no son originales.

Part numbers are quoted for reference purposes only.
Our parts and accessories are not original.



DEPÓSITOS Y ACCESORIOS
TANKS & ACCESSORIES

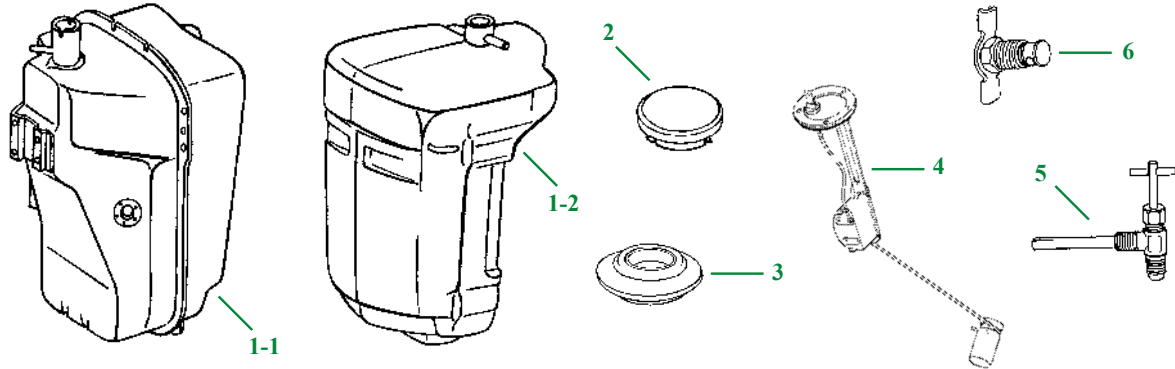


Fig.	1	2	3	4	5	6
Tractores Tractors	Depósito con tapa Tank with cap	Tapón depósito Tank cap	Anillo Ring	Flotador Sender unit	Grifo combustible Fuel tap	Grifo Drain tap
820, 830, 920, 930, 1020, 1030, 1120, 1130, 1630	26/6099-1 (AR.72910, AL.24219) 1-1					
1830, 2020, 2030, 2120	26/6099-2 (AR.72868, AL.24482) 1-1					
2130	26/6099-3 (AR.72951, AL.23213) 1-2					
820, 830, 920, 930, 1020, 1030, 1040, 1120, 1130, 1140, 1630, 1640, 1830, 2020, 2030, 2040, 2040S, 2120, 2130, 2140, 3030, 3040, 3120, 3130, 3140		26/105-5 (AT.20911) Ø 73mm (A)	26/6105-1 (R.39613) Ø 73mm	26/172-6 (AT.31619) (A)	26/103-7 (R.34656)	26/152-2 (AT.13740)
4020, 4040, 4050, 4055, 4230, 4240, 4250, 4255, 4350, 4430, 4440, 4450, 4455, 4555, 4755, 4955						
1640, 1840, 2040, 2040S, 2140		26/105-9 (AL.34678) Ø 98mm (B) Rojo / Red		26/172-15 (AL.38314, AL.33498, AL.68201) (B)		
1040, 1140, 3040, 3140						
840, 940, 1350, 1550, 1750, 1850, 1950, 2250, 2450, 2650, 2850, 3050, 3350, 3640, 3650						

(A) Para depósito metálico / For metallic tank
Sin manguito / Less fuel hose

(B) Para depósito de plástico / For plastic tank
Con manguito / With fuel hose

Las referencias originales tienen un propósito identificativo.
Nuestras piezas no son originales.

Part numbers are quoted for reference purposes only.
Our parts and accessories are not original.

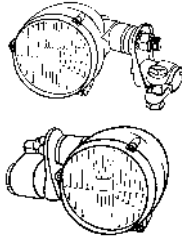
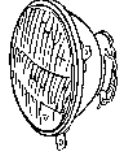


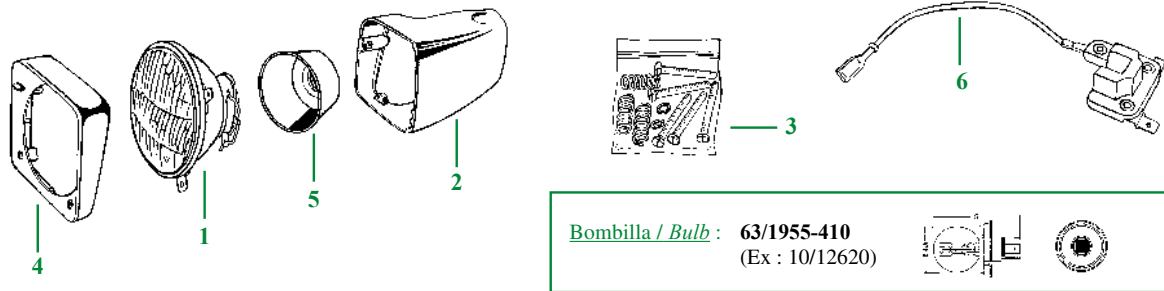
bepco tractor parts

JOHN DEERE
(REPLACEMENT PARTS)

**LUCES
LIGHTING**

LUCES FRONTALES / FRONT LAMPS

<p>26/189-202K (ET.1400K2)</p>	<p>Pareja de faros halógenos AV Ø 144mm 3 funciones, Ø 144mm Con bridas de fijación para tubos Ø 24mm Sustituye AL.12064 & AL.12065</p> <p><i>Pair of front lamps Ø 144mm (3 functions lens) With fitting clamps for Ø 24mm tube</i></p> <p>Bombilla / Bulb : 63/1955-472 (Ex : 10/12342)</p>		<p>Modelos antiguos series "20" & "30" <i>Early tractors "20" & "30" series</i></p>
<p>26/181-204 (AL.56091)</p>	<p>Faro, Halógen H4 <i>Lens, halogen H4</i></p> <p>Bombilla / Bulb : 63/1955-472 (Ex : 10/12342)</p>		<p>1550, 1750, 1850, 1850N, 1950, 1950N, 2250, 2450, 2650, 2650N, 2850, 3050, 3350, 3650, 4050, 4055, 4250, 4255, 4450, 4455, 4555, 4650, 4755, 4850, 4955</p>

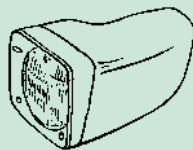


Bombilla / Bulb : 63/1955-410
(Ex : 10/12620)



Fig.	1	2	3	4	5	6	
Tractores Tractors	Faro delantero Lens	Caja faro (izq.) LH cowl	Caja faro (drcha.) RH cowl	Juego de tornillos Fastening kit	Marco Frame	Guardapolvo Dust shield	Porta bombilla Bulb holder
830, 930, 1030, 1130, 1630, 1830, 2030, 2130, 3030, 3130	26/181-203 (DE.12298)	26/182-8 (R.60139)	26/182-9 (R.60138)	26/184-2 (B.18402)	26/188-200 (R.60135)	26/187-200 (CE.14071)	26/1956-1 (AR.49563)
840, 4640, 4840							
940, 1040, 1140, 1640, 2040, 2040S, 2140, 3040, 3140, 3640		26/182-8 (R.60139)	26/182-9 (R.60138)	26/184-2 (B.18402)			
4040, 4240S							

FAROS COMPLETOS / LAMPASSEMBLIES



26/189-200 Izquierda / LH
(DE.13524)

26/189-201 Derecha / RH
(DE.13523)

Las referencias originales tienen un propósito identificativo.
Nuestras piezas no son originales.

Part numbers are quoted for reference purposes only.
Our parts and accessories are not original.

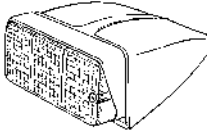






bepco tractor parts

JOHN DEERE
(REPLACEMENT PARTS)

**LUCES
LIGHTING**

LUCES TRASERAS / REAR LIGHTS

<p>26/1912-16K (ET.954/5, AL.25875)</p>	<p>Luces traseras / <i>Rear light (pair)</i> <u>Bombillas / Bulbs</u> : 63/1955-245 (10W) (Ex : 10/12814) 63/1955-382 (21W) (Ex : 10/12498)</p>		<p>Serie "20"</p>
<p>26/1912-17 (AL.24545) (Derecha/RH)</p> <p>26/1912-18 (AL.25645) (Izquierda/LH)</p>	<p>Luz trasera con enganches / <i>Rear light with clips</i> <u>Cristal / Glass</u> : 26/1913-17 (AL.27008) (Derecha/RH) 26/1913-18 (AL.27014) (Izquierda/LH) <u>Bombillas / Bulbs</u> : 63/1955-245 (10W) (Ex : 10/12814) 63/1955-382 (21W) (Ex : 10/12498)</p>		<p>Series "30" & "40"</p>
<p>26/1912-19 (AL.32070, AL.64946) (Derecha/RH)</p> <p>26/1912-20 (AL.32071) (Izquierda/LH) Con luces de matrícula <i>With plate lighting</i></p>	<p>Luz trasera <i>Rear light</i> <u>Cristal / Glass</u> : 26/1913-80 (Derecha/RH) 26/1913-81 (Izquierda/LH) <u>Bombillas / Bulbs</u> : 63/1955-245 (10W) (Ex : 10/12814) 63/1955-382 (21W) (Ex : 10/12498)</p>		<p>Serie "40"</p>
<p>26/1912-19 (AL.32070, AL.64946) (Derecha/RH)</p> <p>26/1912-21 (AL.35176, AL.64947) (Izquierda/LH) Sin luces de matrícula <i>Less plate lighting</i></p>	<p>Luz trasera <i>Rear light</i> <u>Cristal / Glass</u> : 26/1913-80 (Derecha/RH) <u>Bombillas / Bulbs</u> : 63/1955-245 (10W) (Ex : 10/12814) 63/1955-382 (21W) (Ex : 10/12498)</p>		<p>Serie "50"</p>
<p>26/1920-1 (AT.27535)</p>	<p>Luces de matrícula / <i>Plate lighting</i> <u>Bombilla / Bulb</u> : 63/1955-245 (10W) (Ex : 10/12814)</p>		<p>Series "30" & "40"</p>




Las referencias originales tienen un propósito identificativo.
Nuestras piezas no son originales.

Part numbers are quoted for reference purposes only.
Our parts and accessories are not original.



**LUCES
LIGHTING**

LUCES DELANTERAS E INTERMITENTES / FRONT LIGHTS AND SIDE INDICATORS

<p>26/1918-2 (AL.13659)</p>	<p>Bombillas / Bulbs : 63/1955-202 (3W) (Ex : 10/12842) 63/1955-270 (18W) (Ex : 10/12807)</p>		<p>Serie "20"</p>
<p>26/1918-3 (AL.25644)</p>	<p>Cristal / Glass : 26/1919-3 (AL.27013) Bombillas / Bulbs : 63/1955-239 (5W) (Ex : 10/12844) 63/1955-382 (21W) (Ex : 10/12498)</p>		<p>Series "30" & "40"</p>
<p>26/1918-4 (AL.25877)</p>	<p>Luces blancas de posición en la cabina <i>Cab white light</i></p> <p>Cristal / Glass : 26/1919-4 (AL.27012) Bombillas / Bulbs : 63/1955-239 (5W) (Ex : 10/12844)</p>		<p>940, 1040, 1140, 1640, 2030, 2040, 2040S, 2130, 2140, 3030, 3040, 3130, 3140, 3640, 4040, 4040S, 4240, 4240S, 4350, 4440</p>

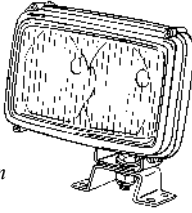
FAROS DE TRABAJO / PLOUGH LAMPS

63/1931-3
(ET.5171)

TWIN-POWER

Faro de trabajo
Caja faro (anti-choque)
Gran ángulo de iluminación
Luz halógena H3 - sin asa

*Work lamp with free-form reflector
Extremely wide-angled illumination
Halogen H3 - Less handle*

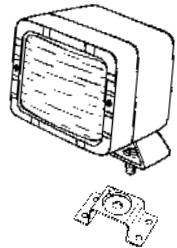


Bombillas / Bulbs : **63/1955-453** (12V./55W)
(Ex : 10/12336)

63/1931-5
(10/W.394)

Faro ajustable 360 grados
Luz halógena H3 - 112 x 126mm
(Cristal : 82 x 82mm)

*Adjustable lamp 360°
Halogen H3 - 112 x 126mm
(Glass : 82 x 82mm)*



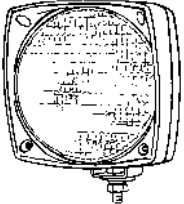
Bombillas / Bulbs : **63/1955-453** (12V./55W)
(Ex : 10/12336)

63/1934-5 (ET.131) Fijación para 1931-5
Bracket for 1931-5

63/1931-4
(ET.1253/F)

Luz halógena H3
Con interruptor

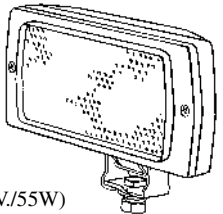
*Halogen H3
With switch*



Bombillas / Bulbs : **63/1955-453** (12V./55W)
(Ex : 10/12336)


63/1931-6
(ET.1251/H)

182 x 100mm
Luz halógena H3
Halogen H3



Bombillas / Bulbs : **63/1955-453** (12V./55W)
(Ex : 10/12336)

Otras clases de luces se pueden encontrar en la sección de luces en la 1a. parte del catálogo.
Other suitable lights can be found in the lighting section (part 1 of the catalogue).

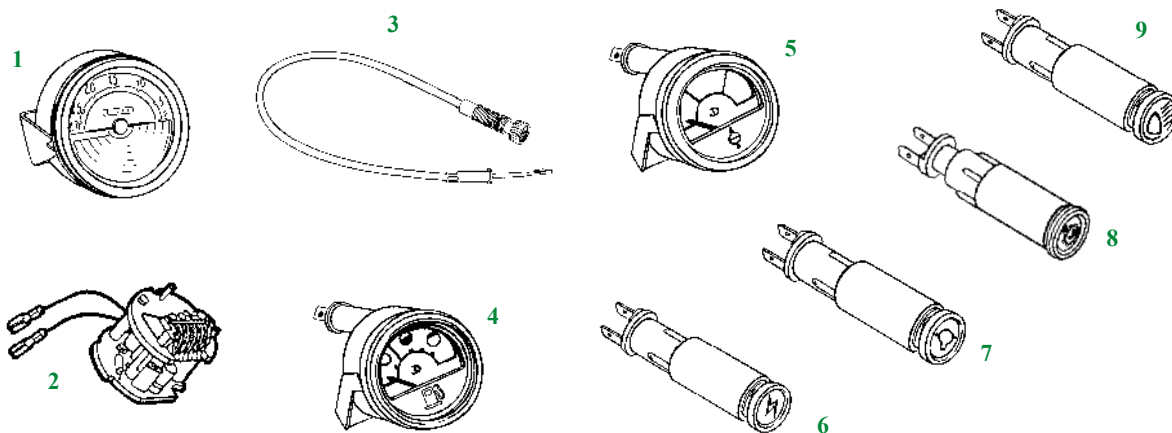


Las referencias originales tienen un propósito identificativo.
Nuestras piezas no son originales.

Part numbers are quoted for reference purposes only.
Our parts and accessories are not original.



INSTRUMENTOS (DIVERSOS)
INSTRUMENTS (MISCELLANEOUS)



Tractores Tractors	Fig. Fig.	Descripción Description	Ref. Ref.
820, 830, 920, 930, 1020, 1030, 1120, 1130, 1630, 2020, 2030, 2120, 2130	1	Tractómetro 25km/H <i>Tractometer</i>	26/176-29 (AL.24291, DE.14411, AL.30802)
		Tractómetro 32km/H <i>Tractometer</i>	26/176-28 (AL.24289, DE.14410, AL.30800)
840, 940, 1040, 1140, 1550, 1640, 1750, 1840, 1850, 1850N, 1950, 1950N, 2040, 2040S, 2140, 2250, 2450, 2650, 2650N, 2850, 2850N, 3040, 3050, 3140, 3350, 3640, 3650	2	Cuentahoras eléctrico <i>Electric hour meter</i>	26/176-30 (AL.33164)
830, 930, 1020, 1030, 1130, 1630	3	Eje flexible Lg. : 600mm <i>Flexible shaft</i>	26/177-15 (AL.23837)
1830, 2020, 2030, 2120, 2130 Sin cabina / <i>Less cab</i>		Eje flexible Lg. : 650mm <i>Flexible shaft</i>	26/177-14 (AL.23838)
2030, 2130, 3030, 3130		Eje flexible Lg. : 860mm <i>Flexible shaft</i>	26/177-13 (AL.25366)
820, 830, 920, 930, 1020, 1030, 1130, 1630, 1830, 2020, 2030, 2120, 2130, 3030, 3120, 3130	4	Indicador combustible <i>Fuel gauge</i>	26/171-11 (AL.24294)
820, 830, 930, 1020, 1030, 1120, 1130, 1630, 1830, 2020, 2030, 2120, 2130, 3030, 3120, 3130	5	Indicador temperatura <i>Temperature gauge</i>	26/174-13 (AL.24526, AL.24293, DE.14419)
830, 930, 1020, 1030, 1120, 1130, 1630, 1830, 2020, 2030, 2120, 2130, 3030, 3120, 3130	6	Indicador de batería <i>Battery indicator</i>	26/971-1 (AT.24692)
	7	Indicador presión del aceite <i>Oil pressure indicator</i>	26/970-1 (AT.24693)
820, 920, 1020, 1120, 1830, 2020, 2030, 2120, 2130, 3030, 3130	8	Indicador de velocidades <i>Gear box indicator</i>	26/972-1 (AT.27371)
830, 930, 1020, 1030, 1120, 1130, 1630, 1830, 2020, 2030, 2120, 3030, 3120, 3130, 4040S, 4240S, 4350	9	Indicador luces principales <i>Main lights indicator</i>	26/973-1 (AT.24691)

Las referencias originales tienen un propósito identificativo.
Nuestras piezas no son originales.

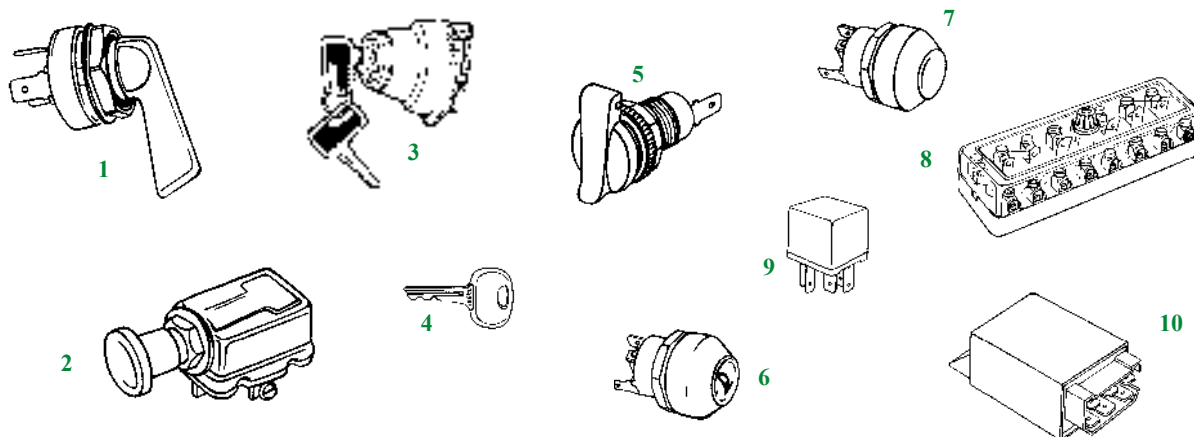
Part numbers are quoted for reference purposes only and
are not used as original equipment.



"THE RELIABLE SERVICE"



INTERRUPTORES VARIOS
SWITCHES (MISCELLANEOUS)



Tractores Tractors	Fig. Fig.		Referencia Reference
1020, 1120, 1830, 2020, 2030, 2120, 2130, 3030, 3120, 3130	1	Interruptor luz Switch (flasher)	26/956-3 (AT.30194, AT.27651)
820, 830, 920, 930, 1020, 1030, 1120, 1130, 1630, 2020, 2030, 2120, 2130, 3030, 3120, 3130, 4040, 4230, 4240, 4430, 4440	2	Interruptor de arranque Starter switch	26/950-11 (Ex : 10/343B) (AL.23512)
820, 830, 920, 930, 1020, 1030, 1120, 1630, 1830, 2020, 2030, 2120, 2130, 3030, 3120, 3130	3	Interruptor de luz con llave Lightning switch with key	26/950-6 (AL.19890) 6 Posición/positions
840, 940, 1040, 1140, 1550, 1750, 1850, 1950, 1950N, 1640, 2040, 2040S, 2140, 2650, 2650N, 2850, 3040, 3050, 3140, 3350, 3650, 3640, 3640S			26/950-7 (AL.35864) 5 Posición/positions
820, 830, 920, 930, 1020, 1030, 1120, 1630, 1830, 2020, 2030, 2120, 2130, 3030, 3120, 3130	4	Llave Key	26/951-5 (Z.44576, L.28520)
840, 940, 1040, 1140, 1550, 1750, 1850, 1950, 1950N, 1640, 2040, 2040S, 2140, 2650, 2650N, 2850, 3040, 3050, 3140, 3350, 3650, 3640, 3640S, 4050, 4055, 4250, 4255, 4450, 4455, 4755, 4955			26/951-6 (AL.35863)
510, 710, 820, 830, 920, 930, 1020, 1030, 1120, 1130, 1630, 2020, 2030, 2120, 2130, 3030, 3120, 3130	5	Tapón Plug	26/963-1 (AL.16048)
830, 930, 940, 1020, 1030, 1040, 1120, 1130, 1140, 1550, 1630, 1640, 1750, 1830, 1840, 1850, 1950, 1950N, 2020, 2030, 2040, 2040S, 2120, 2130, 2140, 2250, 2450, 2650, 2650N, 2850, 3030, 3040, 3050, 3120, 3130, 3140, 3350, 3640, 3650, 6100, 6200, 6300, 6400	6	Accionador del claxon Horn push button	26/953-2 (AT.29073)
	7	Interruptor de arranque Starter push button	26/950-8 (AL.17684)
310, 510, 710, 820, 830, 920, 930, 1020, 1030, 1120, 1130, 1630, 1830, 2020, 2030, 2120, 2130, 3030, 3120, 3130, 4040, 4040S, 4230, 4240, 4240S, 4350, 4430, 4440	8	Caja de fusibles (8) Fuses box (8)	26/964-1 (AL.14007)
840, 940, 1040, 1140, 1350, 1550, 1640, 1750, 1840, 1850, 1950, 2040, 2040S, 2140, 2250, 2450, 2650, 2850, 3040, 3050, 3140, 3340, 3350, 3640, 3640S, 3650	9	Interruptor solenoide Solenoid switch	26/965-1 (AL.36335, AL.32072, AL.58367)
310, 510, 710, 820, 840, 920, 930, 940, 1020, 1030, 1040, 1120, 1130, 1140, 1350, 1630, 1640, 1750, 1840, 1850, 1950, 2020, 2030, 2040, 2040S, 2120, 2130, 2250, 2450, 2650, 2850, 3030, 3040, 3050, 3120, 3130, 3140, 3340, 3350, 3640, 3640S, 3650, 4040, 4230, 4240, 4430, 4440	10	Unidad de intermitencias Flasher unit	26/961-2 (AL.14008, AL.25646, AL.32891, AL.27855)

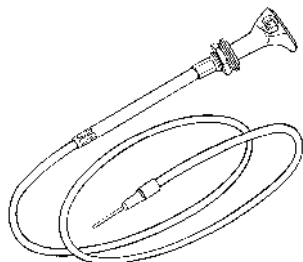
Las referencias originales tienen un propósito identificativo.
Nuestras piezas no son originales.

Part numbers are quoted for reference purposes only.
Our parts and accessories are not original.



ARTÍCULOS DIVERSOS
MISCELLANEOUS ITEMS

CABLES PARADA
STOP CABLES



- 26/107-6** L. : 920mm
(AL.36919, AL.24784 840, 940, 1040, 1140, 1640, 2030,
AL.36924, RE.10596) 2040, 2040S, 2130, 2140, 3030,
3120, 3130
- 26/107-2** L. : 1680mm
(Ex : JD.9331K) Juego cables y adaptadores
Sustituye otras aplicaciones
Kit cable and adaptors
Replaces further applications
- 26/107-7** L. : 1280mm
(AL.58243) 1550, 1750, 1850, 1950, 1950N
- 26/107-8** L. : 1590mm
(AL.58240) 2250, 2450, 2650, 2650N, 2850

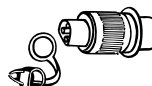
CONECTORES ELÉCTRICOS
ELECTRICAL PLUG SOCKET

26/1971-3
(AL.66414)



Toma de tres puntos
3 point socket poles

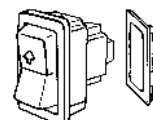
26/1970-3
(AL.68707)



Conexión del 3 punto
3 point socket poles

INTERRUPTOR HIDRÁULICO
HYDR. LIFT SWITCH

26/966-1
(AL.64190)



3050, 3350, 3650

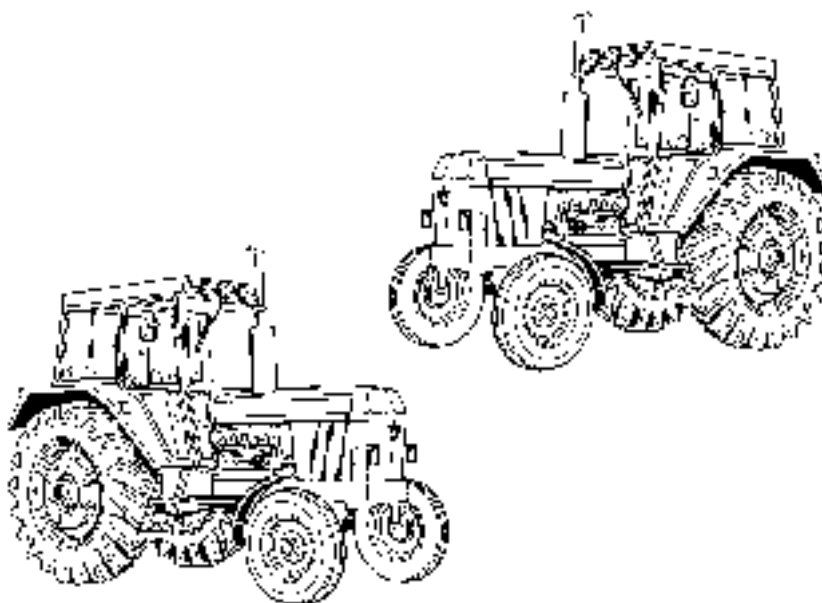
INTERRUPTOR POLIVALENTE
MULTIPURPOSE SWITCH

26/967-1
(AL.58803)



Lado drcho. Cabina SG2
Right side cab SG2

1350, 1550, 1640, 1750, 1850, 1950, 2040, 2040S, 2140, 2250,
2450, 2650, 2850, 3040, 3050, 3150, 3350, 3640, 3640S, 3650

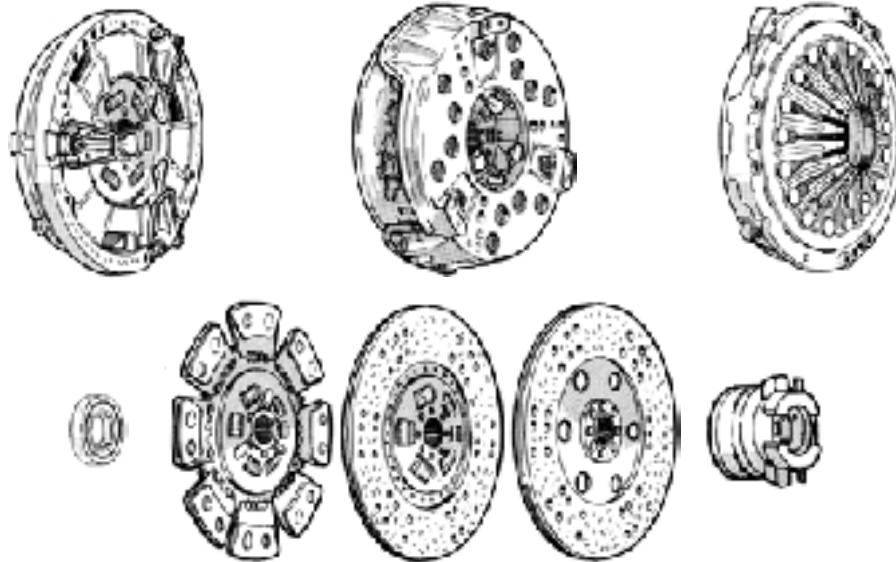


Las referencias originales tienen un propósito identificativo.
Nuestras piezas no son originales.

Part numbers are quoted for reference purposes only.
Our parts and accessories are not original.



EMBRAGUES Y DISCOS DE EMBRAGUE
CLUTCH ASSEMBLIES & PLATES



TRACTORES TRACTORS	EMBRAGUE CLUTCH		DISCO PLATE		RODAMIENTO EMPUJE RELEASE BEARING
	Ø	REF. No.: ORDER N°	Ø	REF. No.: ORDER N°	
T 100, T 200	200	(1882 196 005) 26/200-102	200 (A)	(1860 049 026) 26/221-102 (LN) 10Z 23x29 (AL.17503)	(1859 029 000) 26/232-7 (AL.11726)
T 300, T 500, T 700	250	(1882 248 104) 26/200-103 (AL.17471)	250 (A)	(1861 244 101) 26/221-103 (LN) 10Z 26x32 (AL.13283, AL.16938)	(1859 103 001) 26/232-8
T 310, T 510	250/250 3 palancas 3 levers	(1882 206 203) 26/200-104 (AH) (AL.17456)	250 (A) ----- 250 (A)	(1861 257 101) 26/221-104 (LG) 8Z 46x50 (AL.16776, AL.17451) ----- (1861 250 101) 26/212-29 (LI) 10Z 23 x 29 (AL.16775, AL.17278)	(3151 023 101) 26/232-9 (AL.16333) 26/230-6 (JD.10107) (RV)
T 710	280/280 3 palancas 3 levers	(1882 207 201) 26/200-105 (AH) (AL.15970)	280 (A) ----- 280 (A)	(1864 203 101) 26/221-105 (LG) 8Z 46x50 (AL.16778) ----- (1864 028 209) 26/212-30 (LI) 10Z 23 x 29	(3151 023 101) 26/232-9 (AL.16333) 26/230-6 (JD.10107) (RV)

Las referencias originales tienen un propósito identificativo.
Nuestras piezas no son originales.

Part numbers are quoted for reference purposes only.
Our parts and accessories are not original.



bepco tractor parts
JOHN DEERE
 (REPLACEMENT PARTS)

TRACTORES TRACTORS	EMBRAGUE / CLUTCH		DISCO / PLATE		RODAMIENTO EMPUJE RELEASE BEARING
	Ø	N° / N°	Ø	N° / N°	
820, 830, 840, 920, 940 1020, 1030, 1040, 1120, 1140	225/280 3 palancas 3 levers	(1888 053 101) 26/200-32 (AL.55140)	225 (A)	(1861 289 502) 26/212-10 (LK) 23Z 35x38 (AL.19092 AT.21675)	26/231-7 (JD.10248) Rodamiento solo Bearing only
			225 (A)	26/212-10E (AL.19092 - E) (LK)(VZ) 23Z 35x38	(3151 080 101) 26/232-3 Ø Int./ In. 50mm (AT.24699, AL.27231, AL.30777)
			280 (A)	(1861 686 033) 26/221-22 (LN) 15Z 22,5x26 (AL.33315) Muelles / Springs	o/or
			280 (A)	26/221-21E (LN)(VZ) 15Z 22,5x26 Fijo / Fixed (AL.23511, AL.67525)	Rodamiento solo Bearing only (3151 092 101) 26/232-4 Ø Int./ In. 57mm (7/76 ⇄) (AL.28738, AL.57298)
			280 (B)	(1861 966 001) 26/221-23 (LN)(E) 15Z 22,5x26 (AL.38892)	26/230-6 (JD.10107) (RV)
840, 940, 1040, 1140 (⇄ 1/83) (⇄ NR 495151)	280 3 palancas 3 levers	(1882 284 306) 26/200-33 Cubo rueda 23Z 23Z Hub (AL.56167)	280 (A)	(1861 686 033) 26/221-22 (LN) 15Z 22,5x26 Muelles / Springs (AL.33315)	(500 0248 11) 26/232-5 (AL.28860, AL.37539, AL.39541)
			280 (B)	(1861 966 001) 26/221-23 (LN)(E) 15Z 22,5x26 (AL.38892)	26/230-6 (JD.10107) (RV)
840, 940, 1040, 1140 (2/83 ⇄) (NR 495152 ⇄)	320 Diafragma Diaphragm	(132 0602 11) 26/200-36 Cubo rueda 23Z 23Z Hub (AL.39592, AL.67046)	280 (A)	(1861 924 102) 26/221-25 (LN) 15Z 22,5x26 (AL.64338, AL.39123)	(500 0248 11) 26/232-5 (AL.28860, AL.37539, AL.39541)
					26/230-6 (JD.10107) (RV)
1020, 1120, 1030, 1130	280 3 palancas 3 levers	(1882 284 306) 26/200-33 Cubo rueda 23Z 23Z Hub (AL.56167)	280 (A)	26/221-21E (LN)(VZ) 15Z 22,5x26 Fijo / Fixed (AL.23511, AL.67525)	26/231-7 (JD.10248) Rodamiento solo Bearing only
			280 (A)	(1861 686 033) 26/221-22 (LN) 15Z 22,5x26 Muelles / Springs (AL.33315)	(3151 080 101) 26/232-3 Ø Int./ In. 50mm (AT.24699, AL.27231, AL.30777)
			280 (B)	(1861 966 001) 26/221-23 (LN)(E) 15Z 22,5x26 (AL.38892)	26/230-6 (JD.10107) (RV)

Las referencias originales tienen un propósito identificativo.
Nuestras piezas no son originales.

Part numbers are quoted for reference purposes only.
Our parts and accessories are not original.



"THE RELIABLE SERVICE"



bepco tractor parts
JOHN DEERE
 (REPLACEMENT PARTS)

TRACTORES TRACTORS	EMBRAGUE / CLUTCH		DISCO / PLATE		RODAMIENTO EMPUJE RELEASE BEARING
	Ø	N° / N°	Ø	N° / N°	
1350, 1550, 1630, 1640, 1750, 1830, 1840, 1850, 1950N	225/280 3 palancas 3 levers	(1888 053 101) 26/200-32 (AL.55140)	225 (A)	(1861 289 502) 26/212-10 (LK) 23Z 35x38 (AL.19092, AT.21675)	26/231-8 (JD.10243) Rodamiento solo Bearing only
			225 (A)	26/212-10E (AL.19092 - E) (LK)(VZ) 23Z 35x38	(3151 092 101) 26/232-4 (AL.28738, AL.57298)
			280 (A)	(1861 686 033) 26/221-22 (LN) 15Z 22,5x26 Muelles / Springs (AL.33315)	26/230-6 (JD.10107) (RV)
			280 (A)	26/221-21 (LN)(VZ) 15Z 22,5x26 Fijo / Fixed (AL.23511, AL.67525)	
1350, 1550, 1750, 1850N, 1950N	320 Diafragma Diaphragm	(132 0602 11) 26/200-36 Cubo rueda 23Z 23Z Hub (AL.39592, AL.67046)	280 (A)	(1861 924 102) 26/221-25 (LN) 15Z 22,5x26 (AL.64338, AL.39123)	(500 0248 11) 26/232-5 (AL.28860, AL.37539, AL.39541)
1530	225/280 3 palancas 3 levers	(1888 053 101) 26/200-32 (AL.55140)	225 (A)	(1861 289 502) 26/212-10 (LK) 23Z 35x38 (AL.19092, AT.21675)	26/231-7 (JD.10248) Rodamiento solo Bearing only
			225 (A)	26/212-10E (AL.19092 - E) (LK)(VZ) 23Z 35x38	(3151 080 101) 26/232-3 Ø Int./ In. 50mm (AT.24699, AL.27231, AL.30777)
			280 (A)	(1861 686 033) 26/221-22 (LN) 15Z 22,5x26 Muelles / Springs (AL.33315)	26/230-6 (JD.10107) (RV)
			280 (A)	26/221-21E (LN)(VZ) 15Z 22,5x26 Fijo / Fixed (AL.23511, AL.67525)	
1530, 1630, 1830, 2020, 2030, 2120, 2130	280 3 palancas 3 levers	(1882 284 306) 26/200-33 Cubo rueda 23Z 23Z Hub (AL.56167)	280 (A)	26/221-21E (LN)(VZ) 15Z 22,5x26 Fijo / Fixed (AL.23511, AL.67525)	26/231-7 (JD.10248) Rodamiento solo Bearing only
			280 (A)	(1861 686 033) 26/221-22 (LN) 15Z 22,5x26 Muelles / Springs (AL.33315)	(3151 080 101) 26/232-3 Ø Int./ In. 50mm (AT.24699, AL.27231, AL.30777)
			280 (A)	(1861 928 102) 26/221-24 (LN) 15Z 22,5x26 Muelles reforzados Springs (Heavy duty) (AL.66183)	26/230-6 (JD.10107) (RV)

Las referencias originales tienen un propósito identificativo.
Nuestras piezas no son originales.

Part numbers are quoted for reference purposes only.
Our parts and accessories are not original.



bepco tractor parts
JOHN DEERE
 (REPLACEMENT PARTS)

TRACTORES TRACTORS	EMBRAGUE / CLUTCH		DISCO / PLATE		RODAMIENTO EMPUJE RELEASE BEARING
	Ø	N° / N°	Ø	N° / N°	
1640, 1840, 2040, 2240 (⇄ 8/82)	280 3 palancas 3 levers	(1882 284 306) 26/200-33 Cubo rueda 23Z 23Z Hub (AL.56167)	280 (A)	(1861 686 033) 26/221-22 (LN) 15Z 22,5x26 Muelles / Springs (AL.33315)	(500 0248 11) 26/232-5 (AL.28860, AL.37539, AL.39541) 26/230-6 (JD.10107) (RV)
			280 (A)	(1861 928 102) 26/221-24 (LN) 15Z 22,5x26 Muelles reforzados Springs (Heavy duty) (AL.66183)	
			280 (A)	26/221-21E (LN)(VZ) 15Z 22,5x26 Fijo / Fixed (AL.23511, AL.67525)	
1640, 1840, 2040, 2240 (9/82 ⇄)	320 Diafragma Diaphragm	(132 0602 11) 26/200-36 Cubo rueda 23Z 23Z Hub (AL.39592, AL.67046)	320 (A)	(1862 140 003) 26/221-31 (LN) 15Z 22,5x26 (AL.64340)	(500 0248 11) 26/232-5 (AL.28860, AL.37539, AL.39541)
			320 (B)	(1861 914 002) 26/221-32 (LN) 15Z 22,5x26 (AL.67974)	26/230-6 (JD.10107) (RV)
2020, 2120	225/280 3 palancas 3 levers	(1888 053 101) 26/200-32 (AL.55140)	225 (A)	(1861 289 502) 26/212-10 (LK) 23Z 35x38 (AL.19092, AT.21675)	26/231-7 (JD.10248) Rodamiento solo Bearing only
			225 (A)	26/212-10E (AL.19092 - E) (LK)(VZ) 23Z 35x38	(3151 080 101) 26/232-3 Ø Int./ In. 50mm (AT.24699, AL.27231, AL.30777)
			280 (A)	26/221-21E (LN)(VZ) 15Z 22,5x26 Fijo / Fixed (AL.23511, AL.67525)	26/230-6 (JD.10107) (RV)
			280 (A)	(1861 686 033) 26/221-22 (LN) 15Z 22,5x26 Muelles / Springs (AL.33315)	
			280 (A)	(1861 928 102) 26/221-24 (LN) 15Z 22,5x26 Muelles reforzados Springs (Heavy duty) (AL.66183)	
			280 (B)	(1861 966 001) 26/221-23 (LN)(E) 15Z 22,5x26 (AL.38892)	

Las referencias originales tienen un propósito identificativo.
Nuestras piezas no son originales.

Part numbers are quoted for reference purposes only.
Our parts and accessories are not original.



"THE RELIABLE SERVICE"



bepco tractor parts
JOHN DEERE
 (REPLACEMENT PARTS)

TRACTORES TRACTORS	EMBRAGUE / CLUTCH		DISCO / PLATE		RODAMIENTO EMPUJE RELEASE BEARING
	Ø	N° / N°	Ø	N° / N°	
2040, 2240	225/280 3 palancas 3 levers	(1888 053 101) 26/200-32 (AL.55140)	225 (A)	(1861 289 502) 26/212-10 (LK) 23Z 35x38 (AL.19092, AT.21675)	26/231-8 (JD.10243) Rodamiento solo <i>Bearing only</i>
			225 (A)	26/212-10E (AL.19092 - E) (LK)(VZ) 23Z 35x38	
			280 (A)	26/221-21E (LN)(VZ) 15Z 22,5x26 Fijo / Fixed (AL.23511, AL.67525)	26/230-6 (JD.10107) (RV)
			280 (A)	(1861 686 033) 26/221-22 (LN) 15Z 22,5x26 Muelles / Springs (AL.33315)	
			280 (A)	(1861 928 102) 26/221-24 (LN) 15Z 22,5x26 Muelles reforzados Springs (Heavy duty) (AL.66183)	
			280 (B)	(1861 966 001) 26/221-23 (LN)(E) 15Z 22,5x26 (AL.38892)	
2040S, 2140 (⇄ 416039) 2940, 3040, 3140 (⇄ 415943)	320 Diafragma <i>Diaphragm</i>	(3482 039 101) 26/200-37 Cubo rueda 27Z 27Z Hub (AL.33127)	320 (A)	(1862 140 005) 26/221-33 (LN) 10Z 26x32 (AL.33126)	(500 0248 11) 26/232-5 (AL.28860, AL.37539, AL.39541)
			320 (B)	(332 0002 10) 26/221-34 (LN)(C) 10Z 26x32 (AL.64759)	
2040S, 2140 (416040 ⇄), 3040, 3140 (415944 ⇄)	330 Diafragma <i>Diaphragm</i>	(133 0602 10) 26/200-38 Cubo rueda 27Z 27Z Hub (AL.68485)	327 (A)	(333 0042 12) 26/221-177 (LN) 10Z 26x32 (AL.69935)	(500 0248 11) 26/232-5 (AL.28860, AL.37539, AL.39541) (⇄ 1985)
			327 (B)	(333 0042 11) 26/221-107 (LN)(D) 10Z 26x32 (AL.68022, AL.70272)	
		(633 1129 09) 26/200-200K Juego con disco <i>Kit with plate</i> (333 0042 11) (AL.64948)			26/230-6 (JD.10107) (RV)

Las referencias originales tienen un propósito identificativo.
Nuestras piezas no son originales.

Part numbers are quoted for reference purposes only.
Our parts and accessories are not original.



bepco tractor parts
JOHN DEERE
 (REPLACEMENT PARTS)

TRACTORES TRACTORS	EMBRAGUE / CLUTCH		DISCO / PLATE		RODAMIENTO EMPUJE RELEASE BEARING
	Ø	N° / N°	Ø	N° / N°	
2130 sin HI - LO / with HI - LO	300 3 palancas 3 levers	(1882 271 501) 26/200-35 Cubo rueda 27Z 27Z Hub (AL.28039)	300 (A)	(1864 313 201) 26/221-28 (LN) 10Z 26x32 Fijol Fixed (AL.30452)	26/231-7 (JD.10248) Rodamiento solo Bearing only (3151 080 101) 26/232-3 Ø Int./ In. 50mm (AT.24699, AL.27231, AL.30777) 26/230-6 (JD.10107) (RV)
			300 (A)	26/221-28E (AL.30452 - E) (LN)(VZ) 10Z 26x32 Fijo / Fixed	
			300 (A)	(1861 886 102) 26/221-29 (LN) 10Z 26x32 Muelles / Springs (AL.37706)	
			300 (B)	(1864 338 001) 26/221-30 (LN) 10Z 26x32 Fijo / Fixed (AL.26466)	
2130 sin HI - LO / less HI - LO	300 3 palancas 3 levers	(1882 271 403) 26/200-34 Cubo rueda 23Z 23Z Hub (AL.23095)	300 (A)	(1864 314 202) 26/221-26 (LN) 15Z 22,5x26 Fijol Fixed (AL.30451)	26/231-7 (JD.10248) Rodamiento solo Bearing only (3151 080 101) 26/232-3 Ø Int./ In. 50mm (AT.24699, AL.27231, AL.30777) 26/230-6 (JD.10107) (RV)
			300 (A)	(1861 886 101) 26/221-27 (LN) 15Z 22,5x26 Muelles / Springs (AL.37705)	
2250, 2450	225/280 3 palancas 3 levers	(1888 053 101) 26/200-32 (AL.55140)	225 (A)	(1861 289 502) 26/212-10 (LK) 23Z 35x38 (AL.19092, AT.21675)	(500 0248 11) 26/232-5 (AL.28860, AL.37539, AL.39541) 26/230-6 (JD.10107) (RV)
			225 (A)	26/212-10E (AL.19092 - E) (LK)(VZ) 23Z 35x38	
			280 (A)	26/221-21E (LN)(VZ) 15Z 22,5x26 Fijo / Fixed (AL.23511, AL.67525)	
			280 (A)	(1861 686 033) 26/221-22 (LN) 15Z 22,5x26 Muelles / Springs (AL.33315)	
			280 (A)	(1861 928 102) 26/221-24 (LN) 15Z 22,5x26 Muelles reforzados Springs (Heavy duty) (AL.66183)	

Las referencias originales tienen un propósito identificativo.
Nuestras piezas no son originales.

Part numbers are quoted for reference purposes only.
Our parts and accessories are not original.



"THE RELIABLE SERVICE"



bepco tractor parts
JOHN DEERE
 (REPLACEMENT PARTS)

TRACTORES TRACTORS	EMBRAGUE / CLUTCH		DISCO / PLATE		RODAMIENTO EMPUJE RELEASE BEARING
	Ø	N° / N°	Ø	N° / N°	
2250, 2450, 2650 2250 SG2, 2450 SG2	320 Diafragma <i>Diaphragm</i>	(132 0602 11) 26/200-36 Cubo rueda 23Z 23Z Hub (AL.39592, AL.67046)	320 (A)	(1862 140 003) 26/221-31 (LN) 15Z 22,5x26 Muelles / Springs (AL.64340)	(500 0248 11) 26/232-5 (AL.28860, AL.37539, AL.39541) <i>or</i> (3182 001 001) 26/232-10 (⇆ 649118) (AL.39242) Control hidráulico <i>Hydraulic drive</i> (3 tuberías / 3 pipes) (3182 001 003) 26/232-11 (649119 ⇆) (AL.66088) Control hidráulico <i>Hydraulic drive</i> (2 tuberías / 2 pipes) 26/230-6 (JD.10107) (RV)
2650N (25 km/H)	320 Diafragma <i>Diaphragm</i>	(132 0602 11) 26/200-36 Cubo rueda 23Z 23Z Hub (AL.39592, AL.67046)	320 (A)	(1862 140 003) 26/221-31 (LN) 15Z 22,5x26 (AL.64340)	(500 0248 11) 26/232-5 (AL.28860, AL.37539, AL.39541) 26/230-6 (JD.10107) (RV)
2650N (40 km/H), 2850N, 3050N, 3350, 3640	330 Diafragma <i>Diaphragm</i>	(133 0602 10) 26/200-38 Cubo rueda 27Z 27Z Hub (AL.68485) (633 1129 09) 26/200-200K Juego con disco <i>Kit met plate</i> (333 0042 11) (AL.64948)	327 (A) 327 (B)	(333 0042 12) 26/221-177 (LN) 10Z 26x32 (AL.69935) (333 0042 11) 26/221-107 (LN)(D) 10Z 26x32 (AL.68022, AL.70272)	(500 0248 11) 26/232-5 (AL.28860, AL.37539, AL.39541) 26/230-6 (JD.10107) (RV)
2650 SG2, 2850 SG2, 3050 SG2, 3350 SG2, 3640 SG2	330 Diafragma <i>Diaphragm</i>	(133 0602 10) 26/200-38 Cubo rueda 27Z 27Z Hub (AL.68485) (633 1129 09) 26/200-200K Juego con disco <i>Kit with plate</i> (333 0042 11) (AL.64948)	327 (A) 327 (B)	(333 0042 12) 26/221-177 (LN) 10Z 26x32 (AL.69935) (333 0042 11) 26/221-107 (LN)(D) 10Z 26x32 (AL.68022, AL.70272)	(3182 001 001) 26/232-10 (⇆ 649118) (AL.39242) Control hidráulico <i>Hyd.drive</i> (3 tuberías / 3 pipes) (3182 001 003) 26/232-11 (649119 ⇆) (AL.66088) Control hidráulico <i>Hyd.drive</i> (2 tuberías / 2 pipes) 26/230-6 (JD.10107) (RV)

Las referencias originales tienen un propósito identificativo.
Nuestras piezas no son originales.

Part numbers are quoted for reference purposes only.
Our parts and accessories are not original.



bepco tractor parts
JOHN DEERE
 (REPLACEMENT PARTS)

TRACTORES TRACTORS	EMBRAGUE / CLUTCH		DISCO / PLATE		RODAMIENTO EMPUJE RELEASE BEARING
	Ø	N° / N°	Ø	N° / N°	
3030, 3120, 3130	300 3 palancas 3 levers	(1882 271 501) 26/200-35 Cubo rueda 27Z 27Z Hub (AL.28039)	300 (A)	(1864 313 201) 26/221-28 (LN) 10Z 26x32 Fijo / Fixed (AL.30452)	26/231-7 (JD.10248) Rodamiento solo Bearing only (3151 080 101) 26/232-3 Ø Int./ In. 50mm (AT.24699, AL.27231, AL.30777)
			300 (A)	26/221-28E (AL.30452 - E) (LN)(VZ) 10Z 26x32 Fijo / Fixed	
			300 (A)	(1861 886 102) 26/221-29 (LN) 10Z 26x32 Muelles / Springs (AL.37706)	26/230-6 (JD.10107) (RV)
			300 (B)	(1864 338 001) 26/221-30 (LN) 10Z 26x32 Fijo / Fixed (AL.26466)	
3650 SG2	330 Diafragma Diaphragm	(133 0603 10) 26/200-1137 Cubo rueda 27Z 27Z Hub (AL.68486)	327 (B)	(333 0044 11) 26/221-108 (LN)(D) 10Z 26x32 (AL.70273)	(3182 001 001) 26/232-10 (↔ 649118) (AL.39242) Control hidráulico Hydraulic drive (3 tuberías / 3 pipes) (3182 001 003) 26/232-11 (649119 ↔) (AL.66088) Control hidráulico Hydraulic drive (2 tuberías / 3 pipes)
					26/230-6 (JD.10107) (RV)

(Z) Dientes
 (A) Revestimiento orgánico sin amianto
 (B) Revestimiento ceramético
 (C) Con 7 pares de palas
 (D) Con 6 pares de palas
 (E) Con 8 pares de palas
 (VZ) Versión económica
 (RV) Cojinete
 (AH) Embrague con dos discos integrados
 (LG) Disco principal, transmisión lateral montada
 (LH) Disco principal, motor lateral, montada
 (LI) Disco TdF, motor lateral, montada
 (LK) Disoc TdF, transmisión lateral, montada
 (LM) Disoc TdF, motor lateral, suelta
 (LN) Disco principal, motor lateral, suelta

(Z) Teeth
 (A) Organic lining asbestos free
 (B) Cera metallic lining
 (C) 7 pairs of pads
 (D) 6 pairs of pads
 (E) 8 pairs of pads
 (VZ) Economy version
 (RV) Pilot bearing
 (AH) Both driven plates built in
 (LG) Main disc, transmission side, mounted
 (LH) Main disc, engine side, mounted
 (LI) PTO disc, engine side, mounted
 (LK) PTO disc, transmission side, mounted
 (LM) PTO disc, engine side, loose
 (LN) Main disc, engine side, loose

26/200-200K : Juego de embrague Ø 330mm con disco ceramético + instrucciones de montaje (para equipamiento, para colocar el volante de motor 840, 940, 1040, 1140, 1350, 1550, 1750, 1640, 1840, 1850/N, 1950/N, 2040, 2040S, 2140, 2240, 2250, 2450, 2650/N3040, 3140)

26/200-200K : Clutch kit Ø 330mm with ceramic plate + fitment note (to bore the flywheel for tractors 840, 940, 1040, 1140, 1350, 1550, 1750, 1640, 1840, 1850/N, 1950/N, 2040, 2040S, 2140, 2240, 2250, 2450, 2650/N3040, 3140)

Las referencias originales tienen un propósito identificativo.
 Nuestras piezas no son originales.

Part numbers are quoted for reference purposes only.
 Our parts and accessories are not original.



EMBRAGUE (RESPUESTOS)
CLUTCHES (SPARE PARTS)

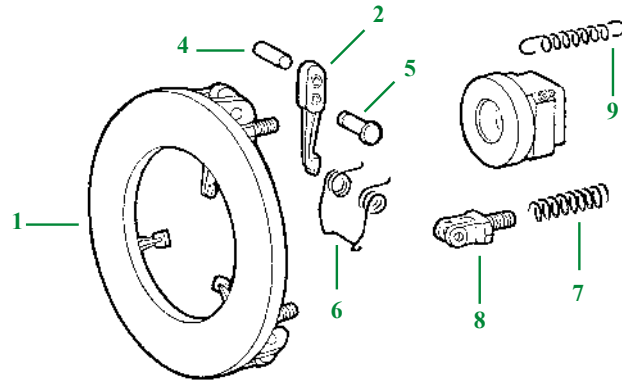
Embrague simple F-S / Single clutch F-S

Ø 300mm

(AL.23095/1882.271.403, AL.28039/1882.271.501)

2130, 2130 Hi-Lo, 3120, 3030, 3130

- | | | | | |
|----|-----------------|------------------------|---|------------------|
| 1. | 26/218-3 | (AL.18903) | - | Plato / Plate |
| 2. | 26/202-4 | (L.38063,
AL.18905) | - | Palanca / Lever |
| 4. | 26/206-4 | (L.26762) | - | Pasador / Pin |
| 5. | 26/204-4 | (L.26764) | - | Pasador / Pin |
| 6. | 26/203-4 | (L.26759) | - | Muelle / Spring |
| 7. | 26/215-6 | (L.29230) | - | Muelle / Spring |
| 8. | 26/219-4 | (L.26763) | - | Horquilla / Fork |
| 9. | 26/233-4 | (T.21450) | - | Muelle / Spring |



Embrague simple F-S / Single clutch F-S

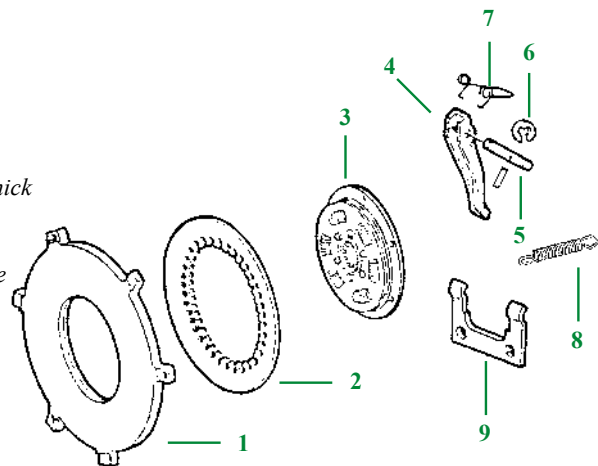
Ø 280mm

(1882.284.101/206 - 1882.284.306, AL.19084, AL.39618)

840, 940, 1020, 1030, 1040, 1120, 1130, 1140, 1530, 1630,

1640, 1830, 1840, 2020, 2030, 2040, 2130, 2240

- | | | | | |
|----|------------------|-------------------------|---|--|
| 1. | 26/217-11 | (L.27182,
L.39950) | - | Plato / Plate
Grosor 25mm / 25mm thick |
| 2. | 26/210-12 | (L.29246,
L.39302) | - | Diafragma / Diaphragm |
| 3. | 26/212-31 | (AL.32964,
AL.19085) | - | Plato rígido / Rigid plate
(23 estrías / 23 spl.) |
| 4. | 26/202-3 | (T.28221) | - | Palanca / Lever |
| 5. | 26/206-3 | (T.28222) | - | Pasador / Pin |
| 6. | 26/207-3 | (T.28231) | - | Cierre / Fastener |
| 7. | 26/203-3 | (T.28230) | - | Muelle / Spring |
| 8. | 26/233-4 | (T.21450) | - | Muelle / Spring
(1030, 1130, 1630, 1830, 2030) |
| 9. | 26/237-2 | (L.32029) | - | Horquilla / Fork |



Embrague doble / Dual-stage clutch F-S

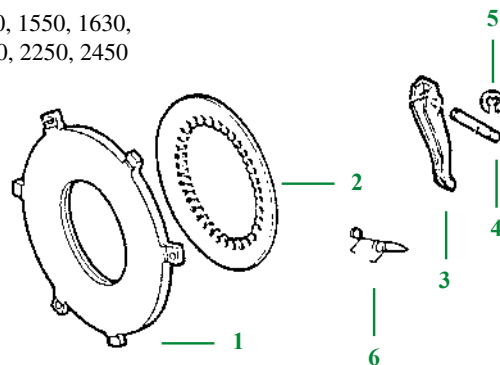
Ø 280mm

(1882.053.101, AL.18714)

820, 830, 840, 920, 940, 1020, 1040, 1120, 1130, 1140, 1350, 1530, 1550, 1630,

1640, 1750, 1830, 1840, 1850, 1950, 2020, 2030, 2040, 2120, 2240, 2250, 2450

- | | | | | |
|----|------------------|-----------------------|---|---|
| 1. | 26/217-12 | (T.29647) | - | Plato / Plate
Grosor 15mm / 15mm thick |
| 2. | 26/210-12 | (L.29246,
L.25750) | - | Diafragma / Diaphragm |
| 3. | 26/202-3 | (T.28221) | - | Palanca / Lever |
| 4. | 26/206-3 | (T.28222) | - | Pasador / Pin |
| 5. | 26/207-3 | (T.28231) | - | Cierre / Fastener |
| 6. | 26/203-3 | (T.28230) | - | Muelle / Spring |



Las referencias originales tienen un propósito identificativo.
Nuestras piezas no son originales.

Part numbers are quoted for reference purposes only.
Our parts and accessories are not original.



PEDAL DE EMBRAGUE (PIEZAS)
CLUTCH PEDAL (SPARE PARTS)

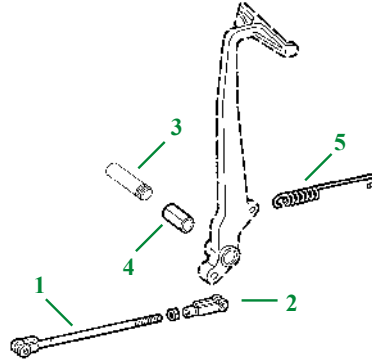
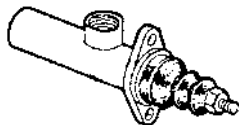


Fig.	1	2	3	4	5
Tractores Tractors	Rótula Rod	Yugo Yoke	Eje Shaft	Buje Bushing	Muelle Spring
820, 830, 840, 920, 930, 940, 1020, 1030, 1040, 1120, 1130, 1140, 1630, 1640, 1830, 1840, 2020, 2030, 2040, 2040S, 2120, 2130, 3030, 3120	26/239-1 (AT.22926) Lg. : 240mm	26/238-1 (L.324T)	26/235-2 (T.21448)	26/234-2 (T.21998)	26/233-2 (T.21452) Lg. : 263mm
2030, 2130, 3030, 3120, 3130	26/239-2 (AT.26771) Lg. : 252mm				
1350, 1550, 1750, 1850, 1950, 2140, 2250, 2450, 2650, 2850, 3040, 3050, 3140, 3350	26/239-1 (AT.22926) Lg. : 240mm				26/233-2 (T.21452) Lg. : 263mm
4240, 4440					
1640, 2030, 2040, 2040S, 2130, 2140, 3030, 3040, 3050, 3120, 3130, 3140, 3350 Con cabina SG2 / With cab SG2					26/233-3 (T.28801) Lg. : 101mm

CILINDRO PRICIPAL (EMBRAGUE)
MASTER CYLINDER (CLUTCH)



26/226-1 1640, 2040, 2040S, 2140, 3040, 3140
(AL.34743) Con cabina SG2 / With SG2 cab

26/227-1 Juego de reparación / Repair kit
(AL.37517)

26/226-2 3640, 3640S
(AL.40974)

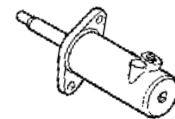
26/226-3 2250, 2450, 2650, 2850, 3050, 3350, 3650
(AL.66918)

26/227-3 Juego de reparación / Repair kit
(AL.67034)

CILINDRO RECEPTOR (EMBRAGUE)
SLAVE CYLINDER (CLUTCH)

26/228-1 1640, 2040, 2040S, 2140, 3040, 3140
(AL.34744) Con cabina SG2 / With SG2 cab

26/229-1 Juego de reparación
(AL.37520) Repair kit



JUNTA CARTER (EMBRAGUE)
HOUSING GASKET (CLUTCH)

26/331-2
(T.21968, R.99290)

820, 830, 930, 1020, 1030, 1120, 1130, 1630, 1830, 2020, 2030, 2120, 2130, 3030, 3120, 3130



Las referencias originales tienen un propósito identificativo.
Nuestras piezas no son originales.

Part numbers are quoted for reference purposes only.
Our parts and accessories are not original.



**EJES DE EMBRAGUE
CLUTCH SHAFTS**

SIN "HI-LOW"
LESS "HI-LOW"

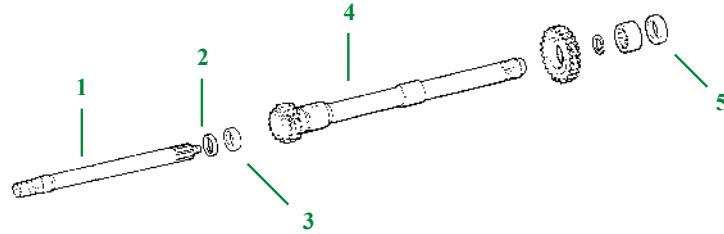


Fig.	1	2	3	4	5
Tractores Tractors	Eje interno Inner shaft	Retén Seal	Guía Guide	Eje principal (A) Main shaft	Retén Seal
820, 830, 840, 920, 930, 940, 1030, 1040, 1120, 1130, 1140, 1350, 1550, 1630, 1750, 1830, 1850, 2020, 2030, 2120	26/258-10 (T.30791, R.56514)	26/256-7 (AT.21780)	26/247-1 (T.23062)	26/255-5 (T.22219)	26/250-11 (T.22198)
2130				26/255-6 (L.28531)	
2040S, 2140, 2250, 2450, 2650, 2850, 3140, 3350, 3640, 3640S, 3650					

(A) Con TdF de 540 RPM / With 540 RPM. PTO

**CAMBIO DE MARCHAS
GEAR SHIFT LEVER**

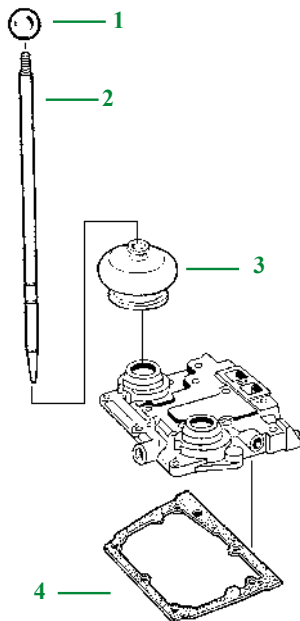


Fig.	1	2	3	4
Tractores Tractors	Bola Ball	Palanca de cambio Gearshift lever	Protector Boot	Junta Gasket
820, 830, 840, 920, 930, 940, 1020, 1030, 1040, 1120, 1130, 1140, 1350, 1550, 1630, 1640, 1750, 1830, 1850, 2020, 2030, 2040, 2040S, 2120, 2130, 2250, 2450, 2650, 2850, 3030, 3050, 3120, 3130, 3350, 3640, 4040, 4040S, 4230, 4240, 4240S, 4350, 4430, 4440	26/552-2 (R.50864, AL.58296)			
820, 830, 920, 930, 1020, 1030, 1120, 1130, 1630, 1830, 2020, 2030, 2120		26/554-1 (R.53817)	26/551-2 (L.31055)	26/550-2 (R.54189)
840, 940, 1040, 1140, 1640, 1840, 2040, 2040S, 2130, 2140, 3030, 3040, 3050, 3120, 3130, 3140, 3350				
840, 940, 1040, 1140, 1350, 1550, 1640, 1750, 1850, 1950, 2040, 2130, 2250, 2450, 3030, 3120, 3130				26/550-2 (R.54189)

Las referencias originales tienen un propósito identificativo.
Nuestras piezas no son originales.

Part numbers are quoted for reference purposes only.
Our parts and accessories are not original.



EMBRAGUE HI-LO Y BOMBA DE TRANSMISIÓN
"HI-LO" CLUTCH - OIL PUMP TRANSMISSION

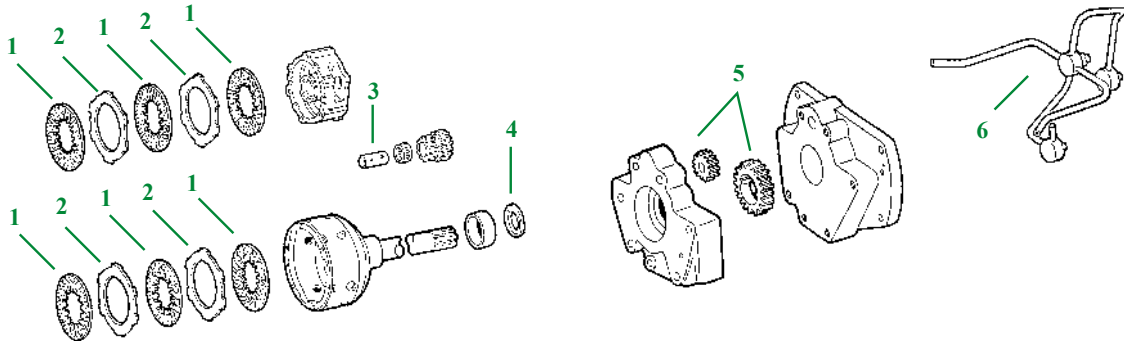
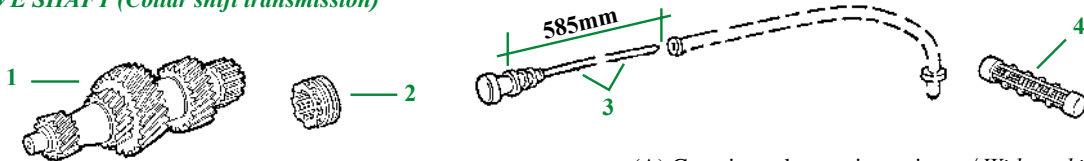


Fig.	1	2	3	4	5	6
Tractores Tractors	Disco Disc		Eje Pin	Retén Seal	Juego de engranajes Gear set	Tubería de aceite Oil pipe
830, 1020, 1030, 1120, 1130, 1630, 1830, 2020, 2030, 2120, 2130	26/317-12 (AR.39128) Grosor : 1,5mm Thickness : 1,5mm	26/316-9 (R.39259)	26/307-1 (R.52382)	26/250-11 (T.22198)	26/6239-1K (AR.39164)	26/6090-1 (AL.24496, AL.28232, AL.23125)
840, 940, 1040, 1140						
1350, 1550, 1750, 1850						
1640, 1840, 1950, 2040, 2250, 2450, 2650						
3030, 3120, 3130						

TRANSMISIÓN
TRANSMISSION

EJE MANDO AUXILIAR
DRIVE SHAFT (Collar shift transmission)



(A) Con cierre de estacionamiento / With parking lock

Fig.	1	2	3	4
Tractores Tractors	Eje mando auxiliar Drive shaft	Casquillo Collar	Varilla Dipstick	Filtro Strainer
1020, 1120, 2020, 2120	26/265-16 (T.21980)	26/287-2 (L.28666) (A)	26/86-10 (AL.27108, AL.38634)	26/335-2 (R.53169, AR.26375)
840, 1350, 1550		26/287-2 (L.28666) (A)		
940, 1030, 1040, 1130, 1140, 1630, 1640, 1750, 1830, 1840, 1850, 2020, 2030, 2040, 2250, 2450				
2130, 2140	26/265-17 (L.28662)			
1950, 2650, 2850, 3030, 3040, 3050, 3120, 3130, 3140, 3150, 3340, 3350, 3640, 3650, 4040, 4230, 4240, 4430, 4440				

Las referencias originales tienen un propósito identificativo.
Nuestras piezas no son originales.

Part numbers are quoted for reference purposes only.
Our parts and accessories are not original.



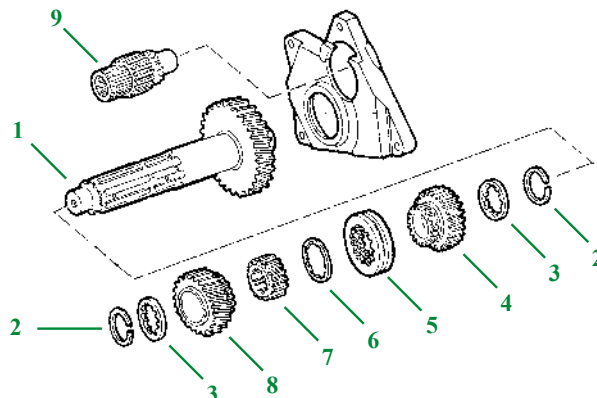
"THE RELIABLE SERVICE"



(Ed.2) 10/01

TRANSMISIÓN
TRANSMISSION

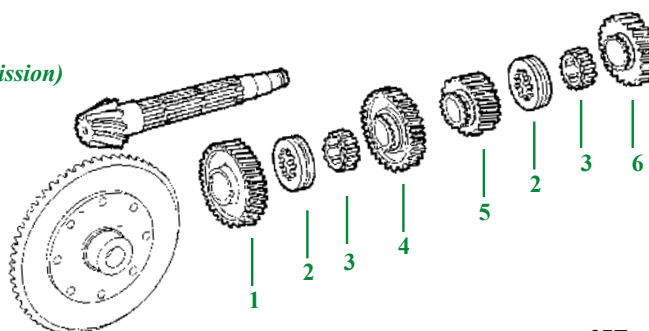
EJE REENVIO
COUNTER SHAFT



37Z = 37 dientes / teeth

Fig.	1	2	3	4	5	6	7	8	9
Tractores Tractors	Eje Shaft	Arandela Snap ring	Arandela Washer	Engranaje Gear	Pestaña Flange	Arandela Washer	Pestaña Gear		Eje Shaft
2130								26/281-3 (L.28661) (22Z)	26/288-6 (L.28660) (13Z)
820, 830, 840, 920, 930, 940, 1020, 1030, 1040, 1120, 1130, 1140, 1350, 1550, 1630, 1640, 1750, 1830, 1850, 2020, 2030, 2040, 2120, 2250, 2450	26/278-8 (T.24726) (37Z)	26/6284-1 (T.19242)	26/6283-1 (T.19245)	26/285-6 (T.21981) (21Z)	26/272-2 (R.50655)	26/6283-2 (T.24730)	26/282-3 (L.29284, T.21964)	26/281-4 (T.30065, T.21978) (22Z)	26/288-7 (T.24728) (12Z)
2040S, 2140									26/288-6 (L.28660) (13Z)
2650									

EJE PRIMARIO (Transmisión)
PINION SHAFT (Collar shift transmission)



37Z = 37 dientes / teeth

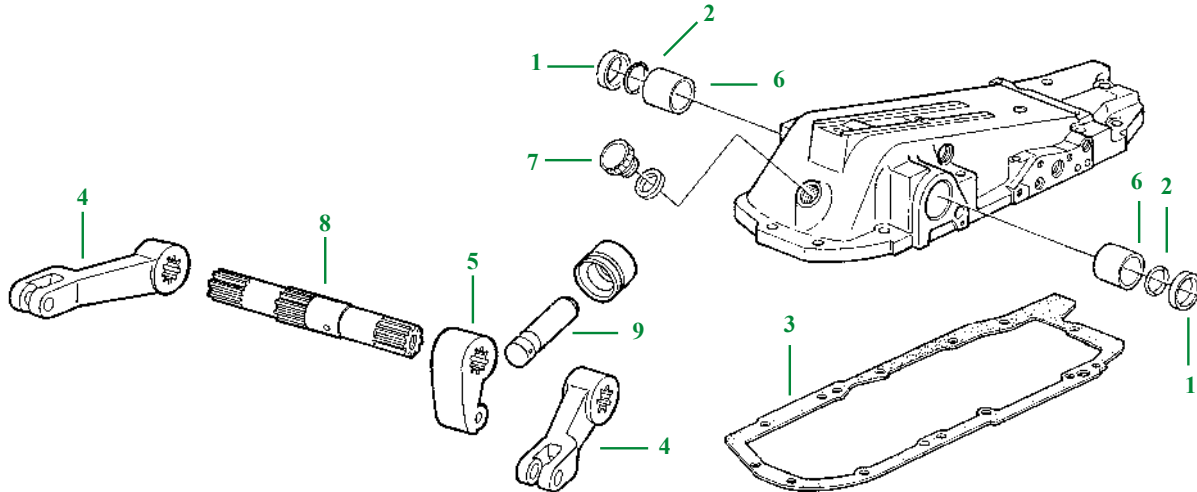
Fig.	1	2	3	4	5	6
Tractores Tractors	1r y 5o. Engranaje Gear 1 st & 5 th	Casquillo Collar	Engranaje Gear	2o. y 6o. Engranaje Gear 2 nd & 6 th	4o. y 8o. Engranaje Gear 4 th & 8 th	3o. y 7o. Engranaje Gear 3 rd & 7 th
820, 830, 840, 920, 930, 940, 1020, 1030, 1040, 1120, 1130, 1140, 1350, 1550, 1630, 1640, 1750, 1830, 1850, 2020, 2030, 2040, 2120, 2250, 2450	26/262-7 (L.31503, T.21975) (40Z)	26/272-1 (L.29283, T.21970)	26/282-3 (L.29284, T.21964)	26/263-9 (T.21976) (36Z)	26/295-1 (T.21977) (27Z)	26/259-7 (AT.30053, AT.19996) (31Z)
2130, 2140 (↔ 363674), 2650	26/262-8 (L.28663) (40Z)			26/263-10 (L.28664) (36Z)	26/295-2 (L.28665) (27Z)	

Las referencias originales tienen un propósito identificativo.
Nuestras piezas no son originales.

Part numbers are quoted for reference purposes only.
Our parts and accessories are not original.



ELEVADOR HIDRÁULICO
HYDRAULIC LIFT



Tractores Tractors	Fig. Fig.	Referencia Ref.	Descripción Description
820, 830, 840, 920, 930, 940, 1020, 1030, 1040, 1120, 1130, 1140, 1350, 1550, 1630, 1640, 1750, 1830, 1840, 1850, 1950, 2020, 2030, 2040, 2040S, 2120, 2130, 2140, 2250, 2450, 2650, 2850	1	26/683-2 (T.21615)	Anillo Ring
	2	26/687-4 (T.26904)	Junta torica "O" ring
	3	26/333-3 (T.21641, L.34401, L.41551)	Junta caja (A) Gasket (A)
	4	26/682-9 (T.29931, L.32649)	Brazo elevación Lift arm
	5	26/684-8 (T.21474) (B)	Brazo Arm
	3030, 3120, 3130, 3140, 3340	6	26/686-7 (T.22474, L.62405)
26/686-8 (T.30521, L.41189) RH			Buje 64 x 72 x 57 Bushing 64 x 72 x 57
26/686-9 (T.30522, L.41188) LH			Buje 68 x 72 x 57 Bushing 68 x 72 x 57
820, 830, 840, 920, 930, 940, 1020, 1030, 1040, 1120, 1130, 1140, 1350, 1550, 1630, 1640, 1750, 1830, 1840, 1850, 1950, 2020, 2030, 2040, 2040S, 2120, 2130, 2140, 2250, 2450, 2650, 2850, 3030, 3040, 3050, 3120, 3140, 3150, 3340, 3350, 3640, 3640S, 3650	7	26/85-8 (AL.38083, T.21563, AL.32620, L.29872)	Tapón filtro Filter cap
820, 830, 840, 920, 930, 940, 1020, 1030, 1040, 1130, 1140, 1630, 1640, 1830, 1840, 2020, 2030, 2040, 2040S, 2120, 2130, 2140	8	26/685-5 (T.26905, L.41932)	Eje Shaft
820, 830, 840, 920, 930, 940, 1020, 1030, 1040, 1130, 1140, 1350, 1550, 1630, 1640, 1750, 1830, 1840, 1950, 2020, 2030, 2040, 2040S, 2120, 2130, 2140, 2250, 2450, 2650, 2850, 3040, 3140, 3150, 3340, 3350, 3640, 3640S, 3650	9	26/689-4 (F.2570R)	Conexión Rod

(A) También para Fits also 3040, 3050, 3140, 3150, 3350, 3640, 3650

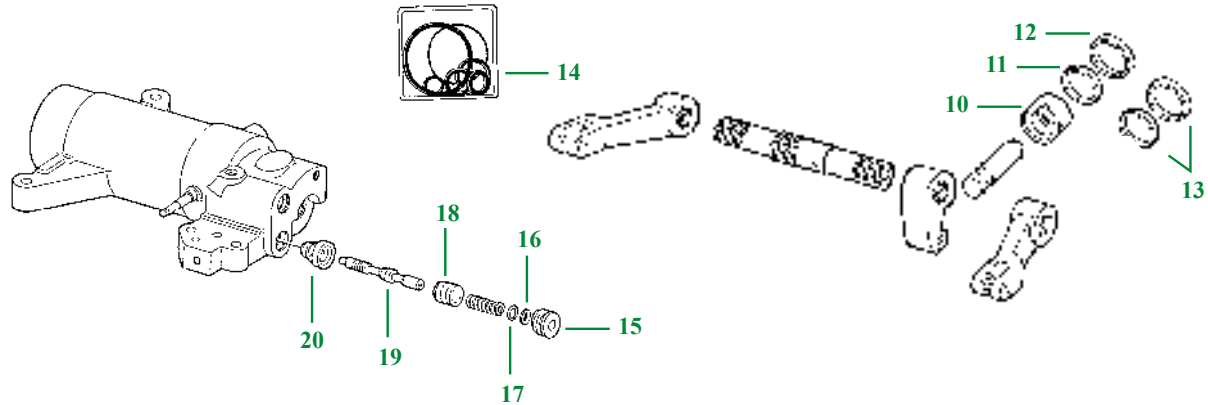
(B) Para pistón 92mm / For 92mm bore piston

Las referencias originales tienen un propósito identificativo.
Nuestras piezas no son originales.

Part numbers are quoted for reference purposes only.
Our parts and accessories are not original.



ELEVADOR HIDRÁULICO
HYDRAULIC LIFT



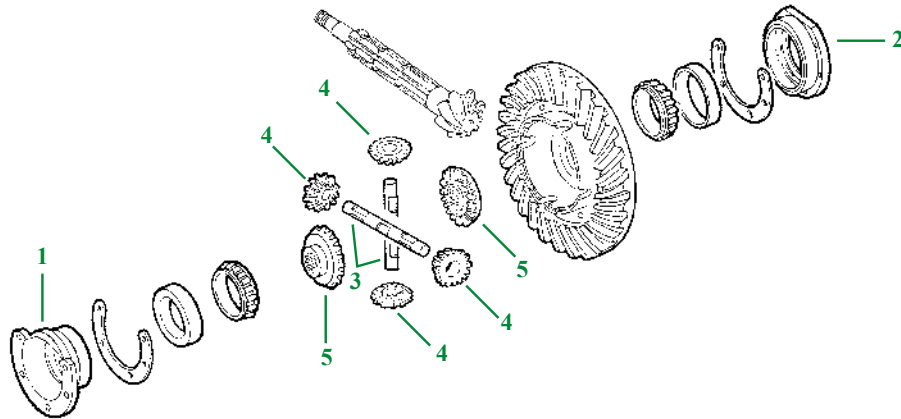
Tractores Tractors	Fig. Fig.	Referencia Ref.	Descripción Description
1630, 1640, 1830, 1840, 2020, 2030, 2040, 2120, 2250, 2450	10	26/691-9 (92mm) (R.47346)	Pistón Piston
310, 510, 710, 830, 930, 1020, 1030, 1120, 1130, 1630	11	26/692-21 (T.21617)	Segmento Back-up ring
	12	26/692-22 (A.4444R)	Junta torica "O" ring
840, 940, 1040, 1140, 1350, 1550, 1750, 1850, 1950, 2450, 2650	13	26/692-23K (AL.33104)	Juego de retenes Seal kit
1640, 1830, 1840, 1950, 2030, 2040, 2130, 2250, 2450		26/692-25K (92mm) (AL.33105)	
3040, 3050, 3120, 3140, 3150, 3340, 3350, 3640, 3640S, 3650		26/692-27K (AL.39167)	
1640, 1830, 1840, 1950, 2030, 2040, 2130, 2250, 2450	14	26/621-7 2 x R.1662R, 1 x R.26149, 1 x R.53543, 1 x T.17882, 1 x AL.33105	Juego de juntas tóricas y retenes para el cilindro hidráulico (Ø 93mm) Sealing kit for lift cylinder (Ø 93mm) & cover
820, 830, 840, 920, 930, 940, 1020, 1030, 1040, 1120, 1130, 1140, 1350, 1550, 1630, 1640, 1750, 1830, 1840, 1850, 1950, 2020, 2030, 2040, 2040S, 2120, 2130, 2140, 2250, 2450, 2650, 2850, 3030, 3040, 3050, 3120, 3140, 3150, 3340, 3350, 3640, 3640S, 3650	15	26/6672-1 (T.24485, L.42314)	Tapón Plug
	16	26/6671-1 (R.31136)	Arandela Back-up washer
	17	26/6673-1 (R.10093)	Junta torica "O" Ring
	18	26/678-1 (T.24540)	Retén de válvula Valve sleeve
	19	26/679-1 (R.54969, T.24484)	Cuerpo de válvula Valve body
	20	26/681-1 (T.28538)	Asiento de válvula Valve seat insert

Las referencias originales tienen un propósito identificativo.
Nuestras piezas no son originales.

Part numbers are quoted for reference purposes only.
Our parts and accessories are not original.



DIFERENCIAL
DIFFERENTIAL

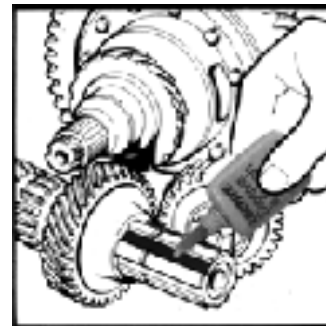
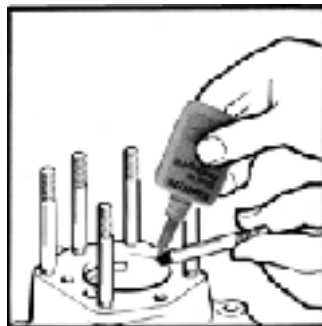
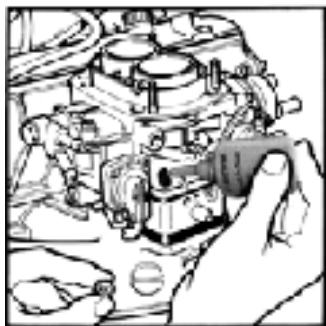


18Z = 18 dientes / Teeth

Fig.	1	2	3	4	5
Tractores <i>Tractors</i>	Cubo rueda <i>Hub</i>		Eje <i>Shaft</i>	Engranaje <i>Gear</i>	
820, 830, 840, 920, 930, 940, 1020, 1030, 1040, 1120, 1130, 1140, 1350, 1550, 1630, 1640, 1750, 1830, 1840, 1850, 1950, 2020, 2030, 2040, 2120, 2130	26/359-1 (T.21433) (Izquierda / LH)	26/359-2 (T.21432) (Derecha / RH)	26/351-3 (L.29226, CE.14605, T.21875)	26/348-4 (L.29227, T.21876) 11Z	26/349-8 (T.29394, T.21971) 18Z 23 estrías 23 splines
2250, 2450, 2650, 2850, 3030, 3040, 3050, 3120, 3130, 3140, 3150, 3340, 3350, 3640, 3650					26/349-9 (CE.13459, L.28376, T.28113) 18Z



LA SOLUCIÓN CORRECTA / THE SOLUTION



Las referencias originales tienen un propósito identificativo.
Nuestras piezas no son originales.

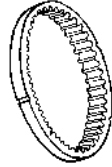
Part numbers are quoted for reference purposes only.
Our parts and accessories are not original.



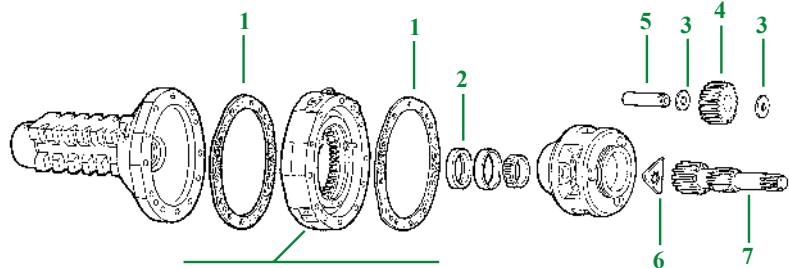
EJE TRASERO
FINAL DRIVE & REAR AXLE

Corona para insertar
Inner gear (to set in)

26/378-1
(B.3781)



1020, 1030, 1035, 1140, 1630, 1635,
1640, 1840, 2020, 2030, 2035, 2040



Ver corona para insertar
See inner ring to set in

Fig.	1	2	3	4	5	6	7	
Tractores Tractors	Junta Gasket	Retén Seal	Arandela Washer	Engranaje Gear	Eje Pin	Retén seguridad Fastener	Eje izquierdo LH shaft	Eje derecho RH shaft
940, 1020, 1030, 1040, 1120, 1140, 1350, 1550, 1630, 1640, 1750, 1840, 1850, 1950, 2020, 2030, 2040, 2240	26/357-3 (T.21419, R.98915)	26/376-10 (AT.21693, AL.38356) 62x85x12	26/384-2 (T.21424)	26/380-4 (T.21547) 18Z	26/381-6 (T.38049) Lg. : 94mm Ø 29mm	26/386-2 (R.49993)	26/387-3 (T.28908, L.34353, L.41167) Lg. : 248mm 12Z	26/387-2 (T.28907, L.41166, L.34168) Lg. : 175mm 12Z
2030, 2120, 2130 Tipo reforzado <i>Heavy duty type</i>		26/376-12 (AL.23547, AL.38357) 58x76,5x9,5	26/380-3 (T.29444) 26Z	26/381-5 (T.29445) Lg. : 94mm Ø 20mm	26/386-1 (T.29451)	26/387-4 (R.56279, T.29452) Lg. : 293mm 15Z	26/387-1 (T.29453) Lg. : 224mm 15Z	
2030 (307473 ⇄), 1640, 2040, 2040S, 2140, 2250, 2450, 2550, 2650, 2750, 2850 Tipo reforzado <i>Heavy duty type</i>						26/387-5 (L.36202, L.32867) Lg. : 315mm 15Z	26/387-7 (L.36201, L.32866) Lg. : 245mm 15Z	
3030, 3120, 3130		26/376-9 (AT.26826, AL.38358)		26/380-2 (T.28828) 26Z	26/381-4 (T.28829) Lg. : 123mm		26/387-6 (R.56278, T.28122) Lg. : 326mm 15Z	26/387-8 (T.28119) Lg. : 247mm 15Z

18Z = dientes / Teeth

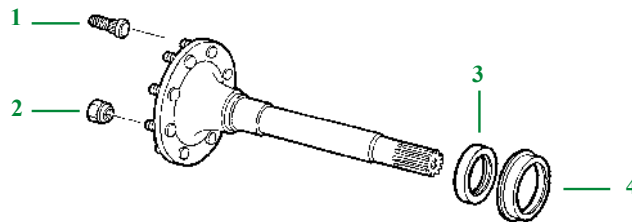


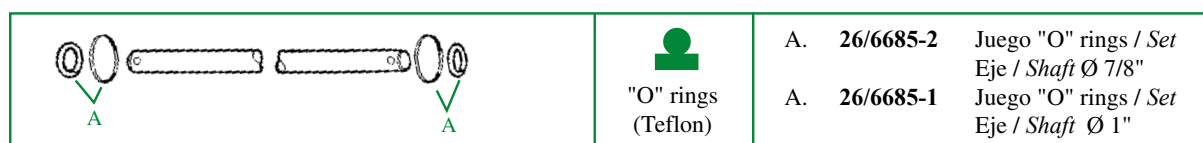
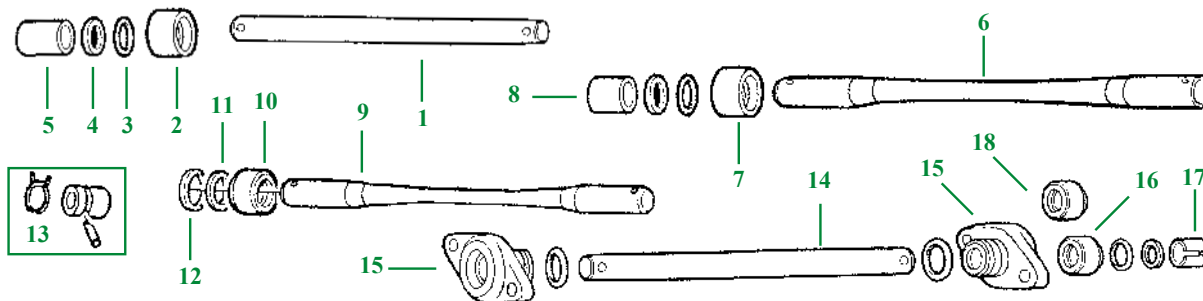
Fig.	1	2	3	4
Tractores Tractors	Tornillo Stud	Tuerca Nut	Retén Seal	Guía Guide
1020, 1030, 1040, 1120, 1130, 1140, 1630, 1640, 1830, 2020, 2040, 2040S, 2120, 2130, 2250, 2450, 2650, 2850, 3030, 3120, 3130	26/440-13 (T.32144, T.26308) Rosca/Thread 3/4"	26/441-13 (T.26309) Rosca/Thread 3/4"		
1020, 1030, 1140, 1630, 1640, 1830, 1840, 2020, 2030, 2040, 2120, 2130			26/371-18 (AT.20703)	26/375-2 (T.21429)

Las referencias originales tienen un propósito identificativo.
Nuestras piezas no son originales.

Part numbers are quoted for reference purposes only.
Our parts and accessories are not original.



EJE DEL ELEVADOR INFERIOR
LOWER LINK SENSING SHAFTS



Tractores Tractors	Fig. Fig.	Referencia Ref.	OEM	Descripción Description
Eje / Shaft Ø 13/16" 940, 1020, 1030, 1040, 1120, 1130, 1140, 1350, 1550, 1630, 1750, 1850	1	26/6678-3	L.26932, T.26598	Eje / Shaft Ø 13/16" Lg. : 500mm
	2	26/6679-1	T.22097	Casquillo / Bush
	3	26/6680-1	A.4730R	"O" ring
	4	26/6681-2	T.22098	Anillo / Ring
	5	26/6682-1	T.22099	Casquillo / Bush
	13	26/6683-3	L.26933 + L.26935 + L.26936	Juego / Set
Eje / Shaft Ø 13/16" 1830, 2020, 2120, 2030, 2130	6	26/6678-5	L.31199	Eje / Shaft Ø 13/16" Lg. : 497mm
	7	26/6679-3	L.33865, T.28546	Casquillo / Bush 26,2 x 47,2 x 24
	8	26/6682-2	T.28548	Casquillo / Bush 25,4 x 28,3 x 35
Eje / Shaft Ø 13/16" 1640, 1840, 2040, 2040S, 2140 (⇨ 529511)	9	26/6678-5	L.31199	Eje / Shaft Ø 13/16" Lg. : 497mm
	10	26/6679-3	L.33865, T.28546	Casquillo / Bush 26,2 x 47,2 x 24
	11	26/6680-2	L.33864	Anillo / Ring
	12	26/6681-1	L.33863	
Eje / Shaft Ø 1 1/8" 1640, 1840, 2040, 2040S, 2140 (529512 ⇨), 2450, 2650, 2850	9	26/6678-2	L.41787	Eje / Shaft Ø 1 1/8" Lg. : 510mm
	10	26/6679-2	L.41802	Casquillo / Bush
	11 + 12	26/6685-3	L.41803 + L.41804	Arandela (2) / Washer (2)
	13	26/6683-1	L.26936 + L.41788 + L.26943	Juego/ Set
Eje / Shaft Ø 1 1/8" 3130, 3140, 3340, 3150, 3350	9	26/6678-4	L.41819	Eje / Shaft Ø 1 1/8" Lg. : 575mm
	10	26/6679-2	L.41802	Casquillo / Bush 29 x 47,2 x 24
	13	26/6683-1	L.26936 + L.41788 + L.26943	Juego / Set
Eje / Shaft Ø 1" 3030, 3120, 3130, 3140, 3340	14	26/6678-6	L.26940	Eje / Shaft Ø 1" Lg. : 580mm
	15	26/6684-1	AT.26574	Palier / Flange
	16	26/6679-3	L.33865, T.28546	Casquillo / Bush 26,2 x 47,2 x 24
	17	26/6682-2	T.28548	Casquillo / Bush 25,4 x 28,3 x 35
	18	26/6679-305	T.28546 (+ 0,5)	Casquillo / Bush

Las referencias originales tienen un propósito identificativo.
Nuestras piezas no son originales.

Part numbers are quoted for reference purposes only.
Our parts and accessories are not original.



EJES Y EMBRAGUES DE LA TDF
SHAFTS AND PTO CLUTCH

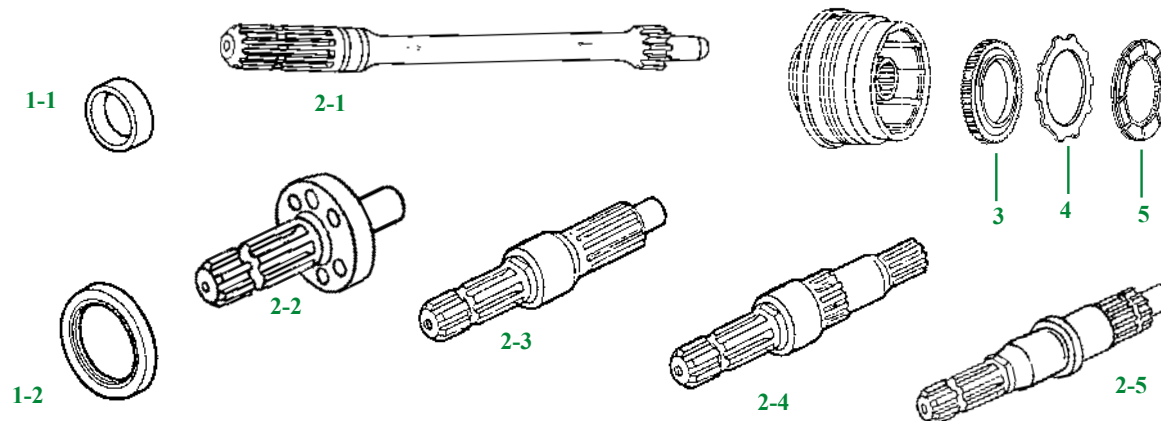


Fig.	1	2	3	4	5
Tractores Tractors	Retén Oil seal	Eje 6 gr. 1 3/8" Shaft 6 gr. 1 3/8"	RPM	Engranaje Gear	Disco Plate
820, 830, 840, 920, 930, 940, 1020, 1030, 1040, 1120, 1130, 1140, 1350, 1550, 1630, 1640, 1750, 1830, 1850, 2030, 2040, 2040S, 2130, 2140, 2250, 2450, 2650	26/305-10 (T.22069) (35 x 54 x 10) 1-1	26/303-21 (L.28712, L.38806, T.22116) 2-1	540		26/316-10 (T.28664) (L.64752) 26/317-11 (AL.69560, AT.26632, AL.38239, AL.38240, AL.69559) Grosor / Thick 1,6mm (Metal sinterizado Sintered metal)
830, 930, 1020, 1030, 1120, 1130, 1630, 1830, 2020, 2030, 2120, 2130				26/299-8 (T.30755)	
1020, 2020, 2120, 1030, 1130, 1630		26/303-27 (AT.20094) 2-2			
1030, 1630, 1830, 2030, 2130, 1640, 1840, 2040, 2140	26/305-11 (AT.16431) 1-2 (73 x 95 x 13)	26/303-26 (AT.29707) 2-3	540 Lg. : 237mm		
		26/303-23 (T.30803) 2-4	1000 Lg. : 260mm		
3120, 3030, 3130, 3140, 3340, 3050, 3150, 3040, 3350, 3650		26/303-25 (R.41752) 2-3	540 Lg. : 271,5mm		
		26/303-22 (T.28672) 2-4	1000 Lg. : 290mm		
4050, 4250, 4450 (US)			26/303-29 (R.94130) 2-4	1000 Lg. : 300mm	
3040, 3140, 3340, 3640, 3050, 3150, 3350, 3650			26/303-24 (L.34242) 2-5 Palanca TdF Handshift PTO	540 Lg. : 275mm	
3020, 4000, 4020, 4040, 4040S, 4050, 4055, 4230, 4240, 4240S, 4250, 4255, 4320, 4350, 4430, 4440, 4450, 4455			26/303-25 (R.41752) 2-3	540 Lg. : 271,5mm	

Las referencias originales tienen un propósito identificativo.
Nuestras piezas no son originales.

Part numbers are quoted for reference purposes only.
Our parts and accessories are not original.



DISCOS DE FRENO
DISC BRAKES

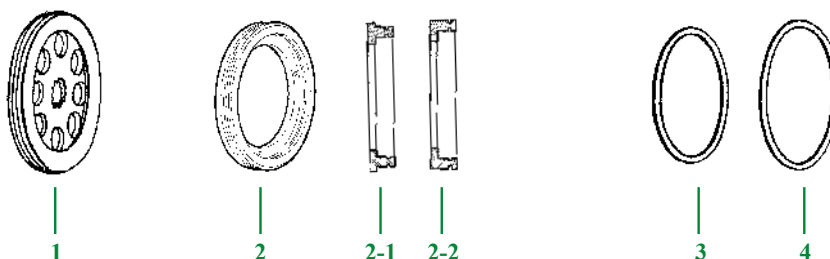


Fig.	1	2	3	4
Tractores Tractors	Disco de freno Brake disc	Pistón Piston	Junta tórica Seal	
820, 830, 920, 930, 1020, 1120, 2020, 2120, 1030, 1130, 1630 (⇔ 300749), 1830 (⇔ 301445), 2030 (⇔ 301745), 2130, 1640, 2040, 2140	26/422-6 (AL.38236, AZ.40478, AT.22034) 12Z - Ø 306mm Grosor : 10,2mm Thickness : 10.2mm	26/417-4 (L.31016) Grosor : 37,8mm Thickness : 37.8mm 2-1	26/416-3 (R.50703, T.22102)	26/416-5 (R.50704, T.22103)
830, 930, 1030, 1130, 1630 (300750 ⇔), 1830 (301446 ⇔), 2030 (301746 ⇔) 840, 940, 1040, 1140	26/422-4 (AL.38234, AL.29645) 12Z - Ø 306mm Grosor : 7,2mm Thickness : 7.2mm	26/417-5 (L.33483) Grosor : 35,9mm Thickness : 35.9mm 2-1		
1550, 1750, 1850, 1950, 1950N		26/417-6 (L.33910) Grosor : 50mm Thickness : 50mm 2-2	26/416-4 (T.30349, L.39803, L.56243)	26/416-6 (T.28473, L.39804, L.56244)
1640, 1840, 2040, 2040S (⇔ 370492)	26/417-5 (L.33483) Grosor : 35,9mm Thickness : 35.9mm 2-1			
1640, 1840, 2040, 2040S (370493 ⇔), 2130, 2140		26/422-5 (AL.38235, AL.30095) 15Z - Ø 306mm Grosor : 10,2mm Thickness : 10.2mm	<i>o / or</i>	<i>o / or</i>
	26/417-6 (L.33910) Grosor : 50mm Thickness : 50mm 2-2		26/416-4 (T.30349, L.39803, L.56243)	26/416-6 (T.28473, L.39804, L.56244)

Las referencias originales tienen un propósito identificativo.
Nuestras piezas no son originales.

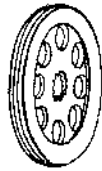
Part numbers are quoted for reference purposes only.
Our parts and accessories are not original.



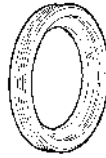
"THE RELIABLE SERVICE"



DISCOS DE FRENO
DISC BRAKES



1



2



2-1



2-2



3



4

Fig.	1	2	3	4
Tractores Tractors	Disco de freno Brake disc	Pistón Piston	Junta tórica Seal	
2250, 2450	26/422-4 (AL.38234, AL.29645) 12Z - Ø 306mm Grosor : 7,2mm Thickness : 7.2mm o / or 26/422-5 (AL.38235, AL.30095) 15Z - Ø 306mm Grosor : 10,2mm Thickness : 10.2mm			
3030, 3120, 3130	26/422-5 (AL.38235, AL.30095) 15Z - Ø 306mm Disco plano Grosor : 10,2mm Flat disc Thickness : 10.2mm	26/417-7 (L.33909) Grosor : 48,4mm Thickness : 48.4mm 2-1	26/416-3 (R.50703, T.22102)	26/416-5 (R.50704, T.22103)
3040, 3140		o / or 26/417-8 (L.31017) Grosor : 43,7mm Thickness : 43.7mm 2-2	o / or 26/416-4 (T.30349, L.39803, L.56243)	o / or 26/416-6 (T.28473, L.39804, L.56244)
2650, 2650N, 2850, 3050, 3350, 3640, 3650		26/417-7 (L.33909) Grosor : 48,4mm Thickness : 48.4mm 2-1	26/416-3 (R.50703, T.22102)	26/416-5 (R.50704, T.22103)
2250, 2450, 2650, 2850, 3040, 3050, 3140, 3150, 3350, 3640, 3650 2ª Versión / 2 nd version	26/422-9 (AL.65871) 15Z - Ø 306mm Grosor : 4,9mm Thickness : 4.9mm			

Las referencias originales tienen un propósito identificativo.
Nuestras piezas no son originales.

Part numbers are quoted for reference purposes only.
Our parts and accessories are not original.



CILINDRO DE FRENO
MASTER BRAKE CYLINDER

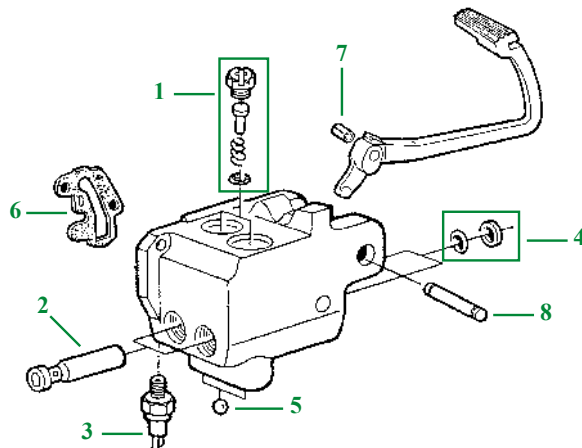
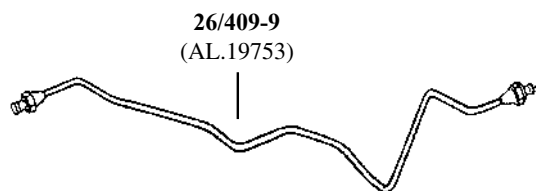
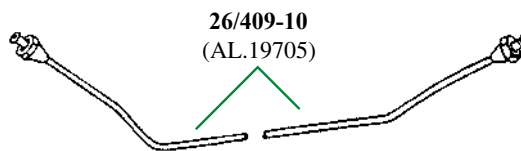


Fig.	1	2	3	4	5	6	7	8
Tractores <i>Tractors</i>	Juego de válvulas <i>Check valve</i>	Pistón <i>Piston</i>	Interruptor freno <i>Brake switch</i>	Juego de retenes <i>Seal kit</i>	Bola <i>Ball</i>	Junta <i>Gasket</i>	Buje <i>Bushing</i>	Eje <i>Shaft</i>
820, 830, 840, 920, 930, 940, 1020, 1030, 1040, 1120, 1130, 1140, 1350, 1550, 1630, 1640, 1750, 1830, 1840, 1850, 1950, 2020, 2030, 2040, 2040S, 2120, 2130, 2140, 2250, 2450, 2650, 2850	26/399-1 (AL.23836, AL.69179, AL.67574, AL.70242)	26/396-1 (L.34040, L.31840, R.50111) Lg. : 107mm	26/187-3 (AL.27809, AL.67715)	26/398-2 (T.22101, R.495R)	26/418-2 (D.2361R) 1/2"	26/397-1 (T.30687)	26/430-2 (B.177R)	26/433-1 (T.49189)
3030, 3120, 3130		26/396-2 (L.31839) Lg. : 112,5mm						
3050, 3140, 3350, 3640, 3640S, 3650								
4040, 4040S, 4230, 4240, 4350, 4430, 4440								

TUBERÍAS DEL LÍQUIDO DE FRENOS
BRAKE PIPES



2030, 2130



Las referencias originales tienen un propósito identificativo.
Nuestras piezas no son originales.

Part numbers are quoted for reference purposes only.
Our parts and accessories are not original.

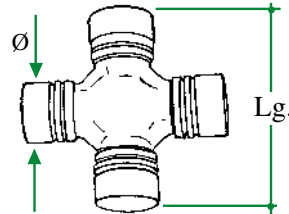


"THE RELIABLE SERVICE"



(Ed.2) 10/01

EJE DELANTERO Y ARTICULACIÓN UNIVERSAL
FRONT AXLE - UNIVERSAL JOINTS



Tractores Tractors	Articulación universal Universal joint	Ø x Lg. Ø x Lg.	Tipo de eje delantero Front axle type
940, 1040, 1140, 1550, 1640, 1750, 1850, 2040, 2040S	26/6403-7 (AL.32885)	27 x 82mm	Eje ZF APL.1351 Axle ZF APL.1351
940, 1040, 1140, 1550, 1640, 1750, 1850, 1850N, 1950, 1950N, 2040, 2040S, 2140, 3040, 3140, 3050, 3350, 3640, 3650	26/6403-8 (AL.34709, AL.64127)	30 x 83mm	Eje ZF APL.1351, 315, 1552, 345 Axle ZF APL.1351, 315, 1552, 345
2140, 3140, 3640	26/6403-6 (AL.55941)	30,2 x 92,1mm	Eje ZF APL.345 Axle ZF APL.345
1640, 2040, 2040S, 2250, 2450	26/6403-9 (AL.55943, AL.64255)	27 x 71mm	Eje ZF APL.325, 350, 1351 Axle ZF APL.325, 350, 1351
1640, 1840, 2040, 2040S, 2140, 2250, 2450, 2650, 2850, 3040, 3050, 3140, 3350, 3640, 3650	26/6403-10 (AL.37069)	35 x 97mm	Eje ZF APL.1351, 345, 350 Axle ZF APL.1351, 345, 350
2140, 3040, 3140	26/6403-11 (AL.32994)	30,1 x 106,4mm	Eje ZF APL.1352 Axle ZF APL.1352
2140, 2850	26/6403-12 (AL.62452)	28 x 71,5mm	Eje ZF APL.735 Axle ZF APL.735

LLANTAS Y TORNILLOS DE LLANTA
RIM & RIM BOLTS

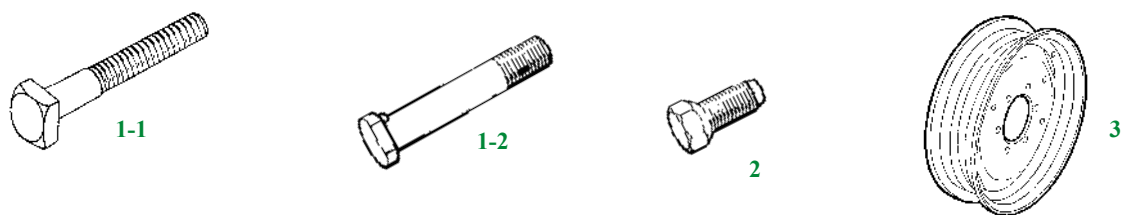


Fig.	1		2	3	
Tractores Tractors	Rueda trasera Rear wheel		Rueda delantera Front wheel	Llanta delantera Front rim	
820, 830, 840, 920, 930, 940, 1020, 1030, 1040, 1120, 1130, 1140, 1350, 1550, 1630, 1640, 1750, 1830, 1840, 1850, 1950, 2020, 2030, 2040, 2040S, 2120, 2130, 2140, 2250, 2450, 2650, 2850, 3040, 3050, 3120, 3140, 3350, 4040, 4240, 4440	26/446-13 (08H4762) 1-1 o / or 26/446-14 (L.33894) 1-2	5/8 UNF M16 x 1,5	 26/446-8 (JD.21) 9/16 UNF	26/449-8 (AR.52506) 26/449-9 (JD.3039) 26/449-10 (JD.3211)	Neumáticos / tyres 6,00 x 16 - 6,50 x 16 Neumáticos / tyres 7,50 x 16 Neumáticos / tyres 7,50 x 18

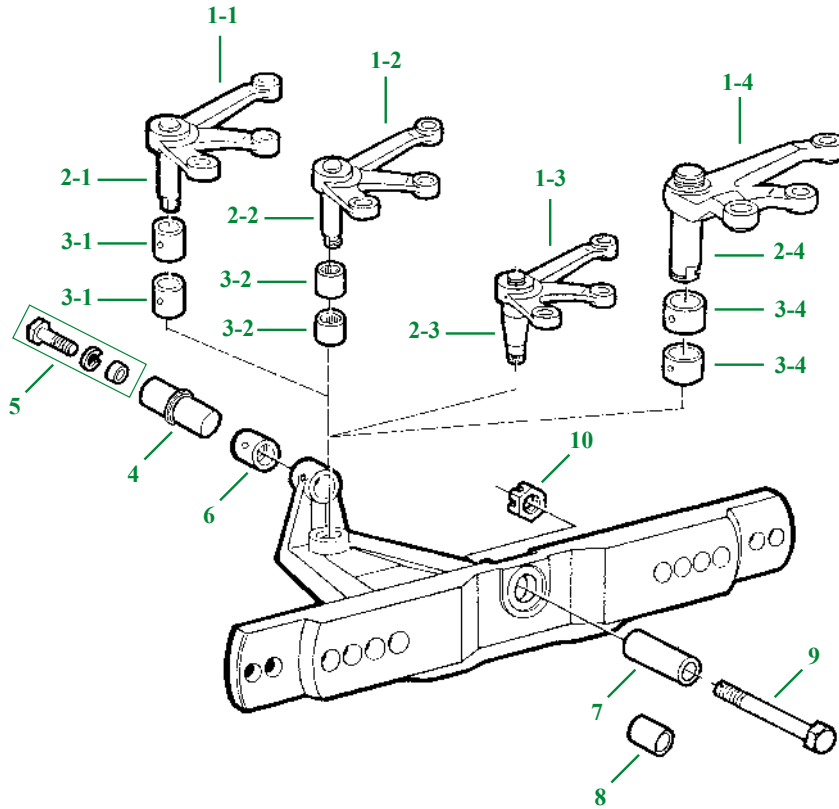
Las referencias originales tienen un propósito identificativo.
Nuestras piezas no son originales.

Part numbers are quoted for reference purposes only.
Our parts and accessories are not original.

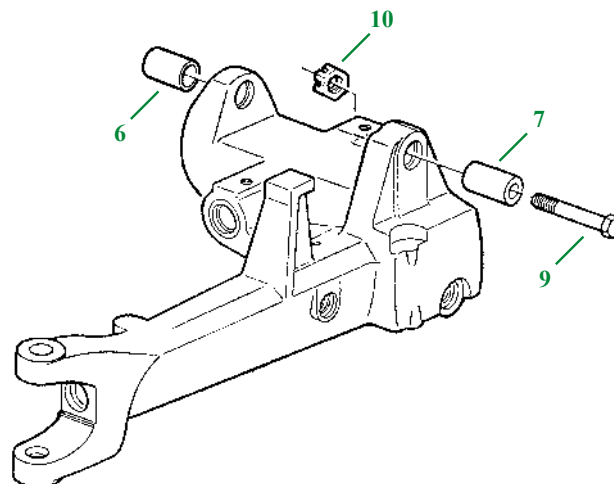


PIEZAS PARA EL EJE DELANTERO
FRONT AXLE PARTS

TRACCIÓN SIMPLE / 2 WHEEL DRIVE



DOBLE TRACCIÓN / 4 WHEEL DRIVE



Las referencias originales tienen un propósito identificativo.
Nuestras piezas no son originales.

Part numbers are quoted for reference purposes only.
Our parts and accessories are not original.



PIEZAS PARA EL EJE DELANTERO
FRONT AXLE PARTS

TRACCIÓN SIMPLE / 2 WHEEL DRIVE

Fig.	1	2	3	4	5
Tractores Tractors	Palanca con eje Lever with shaft	Eje solo Spare shaft	Buje Bush	Pasador Pin	Tornillo completo Bolt ass.
1020, 1030, 1120, 1130, 1630, 2020, 2120	26/500-6 (AR.53392, AT.19793) Conos / Cones 16/18 1-1	26/505-8 Ø 31,8mm Lg. : 133mm 2-1	26/486-18 (T.23118, L.62839) Ø 32 x 37mm Altura/Ht. 38mm (x2) 3-1	26/485-19 (T.21778, L.34070, L.55437, L.34072) Ø 40mm - Lg. : 94mm	
1830, 2030, 2130, 3120	26/500-3 (AL.19725) Conos / Cones 20/22 1-2	26/505-9 Ø 31,8mm Lg. : 143mm Fijación o para soldar Clips fixing or weld on 2-2	26/486-23 (JD.9911) Ø 32 x 38mm Altura/Ht. 25mm (x2) Con agujas / With needles 3-2		
1640, 1840, 2040, 2040S, 2140, 2250, 2450, 2650, 2850	26/500-5 (AL.31088, AL.55149) Conos / Cones 20/22 1-3	26/505-7 Ø 35-30mm Lg. : 162mm Cónico / Conical 2-3		26/485-20 (L.57725) Ø 40mm - Lg. : 107,4mm o / or 26/485-19 (T.21778, L.34070, L.55437, L.34072) Ø 40mm - Lg. : 94mm	
3030, 3120, 3130, 3140	26/500-4 (AT.27227, AL.19361) Conos / Cones 17/19 1-4	26/505-6 Ø 38,2mm Lg. : 169mm 2-4	26/477-11 (T.21553, L.27821) Ø 38,2 x 42mm Altura/Ht. 38mm (x2) 3-4	26/485-16 (L.34071, L.57726) Ø 38mm - Lg. : 115,5mm 26/485-17 (T.29200) Modelo antiguo / Old model (Sin buje / Less bush) Ø 38mm - Lg. : 115,5mm 26/486-24 (A3809R) Buje Snap ring for above	26/483-3K (L.57963 + 47M7003 + L.57686) 7/16"
820, 830, 840, 920, 930, 940, 1040, 1140				26/485-19 (T.21778, L.34070, L.55437, L.34072) Ø 40mm - Lg. : 94mm	
1020V, 1030V, 1040V, 1140V				26/485-18 (T.25132) Ø 40mm - Lg. : 94mm	

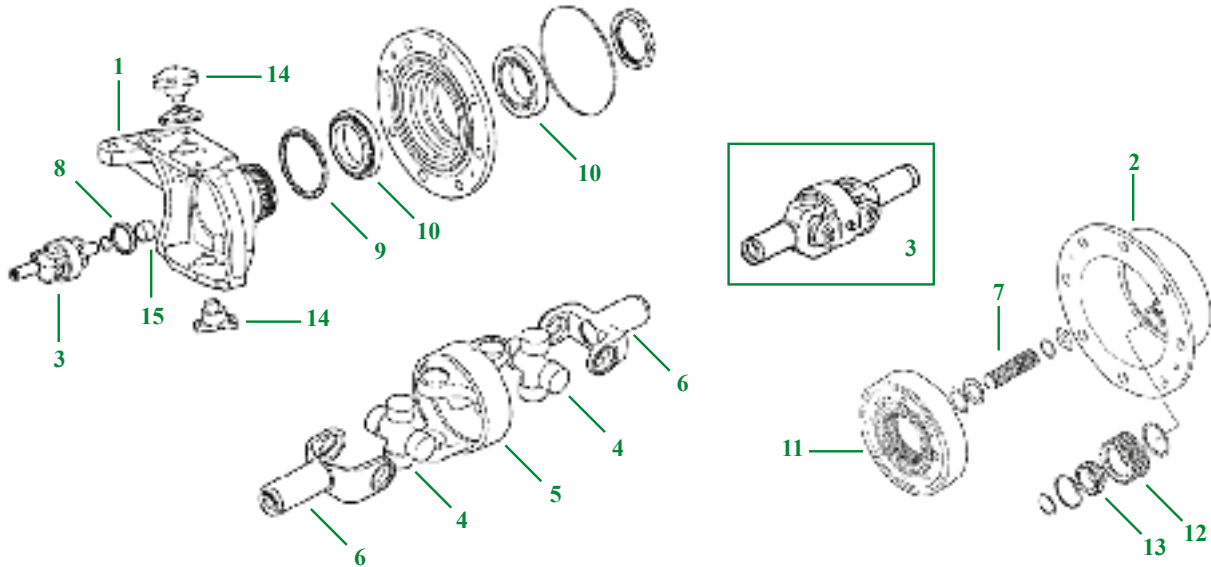
Fig.	6	7	8	9	10
Tractores Tractors	Casquillo Bush			Tornillo Screw	Tuerca Nut
1350, 1550, 1750, 1850, 1950, 2250, 2450, 2650, 2850		26/486-19 (T.21669) Ø 32mm Lg. : 91mm	26/486-18 (T.23118, L.62839) Ø 32 x 37mm Altura/Ht. 38mm	26/508-1 (T.25840) 3/4"	26/452-1 (14H902, 14H1086) 3/4"
820, 830, 840, 920, 930, 940, 1020, 1030, 1040, 1120, 1130, 1140, 1630, 1640, 1830, 1840, 2020, 2030, 2040, 2040S, 2120, 2130, 2140	26/486-17 (T.23170, L.62836) Ø 40 x 45mm Altura/Ht. 38mm				
3030, 3050, 3120 (075016 ⇨) 3130, 3140, 3350	26/486-15 (T.29199, L.62837) Ø 38 x 43mm Altura/Ht. 51mm	26/486-16 (T.29205) Ø 38mm Lg. : 110mm	26/486-15 (T.29199, L.62837) Ø 38 x 43mm Altura/Ht. 51mm	26/508-2 (T.29210, L.64734) 3/4"	
1020V, 1030V, 1040V, 1140V	26/486-17 (T.23170, L.62836) Ø 40 x 45mm Altura/Ht. 38mm				

Las referencias originales tienen un propósito identificativo.
Nuestras piezas no son originales.

Part numbers are quoted for reference purposes only.
Our parts and accessories are not original.



EJE FRONTAL
FRONT AXLE DRIVE



Tractores Tractors	Fig. Fig.	Ref. Ref.	OEM	Eje ZF ZF axle	Descripción Description	
2140 (024906 ⇄), 3140 (026317 ⇄), 3050, 3350, 3640, 3650	1	26/6400-1	L.41927	345, 350	Carcasa de giro (izq.) Swivel housing (LH)	
		26/6400-3	L.41926		Carcasa de giro (drcha.) Swivel housing (RH)	
2140, 2850		26/6400-2	L.60082	735	Carcasa de giro (drcha.) Swivel housing (RH)	
		26/6400-6	L.60081		Carcasa de giro (izq.) Swivel housing (LH)	
1640, 2040, 2040S, 2250, 2450, 2650		26/6400-4	L.61201 L.40268	325, 325N	Carcasa de giro (izq.) Swivel housing (LH)	
		26/6400-5	L.61202 L.40269		Carcasa de giro (drcha.) Swivel housing (RH)	
2140 (⇄ 024905), 3040 (⇄ 026316), 3140 (⇄ 026316)		26/6400-7	L.39962	345	Carcasa de giro (drcha.) Swivel housing (RH)	
		26/6400-8	L.39961		Carcasa de giro (izq.) Swivel housing (LH)	
3050 (A), 3140 (B), 3350 (A), 3640, 3650	2	26/6401-1	L.41121	345, 350	Carcasa soporte planetarios Panel pinion carrier	
2140, 2850		26/6401-2	L.60110			735
2140, 3040, 3050, 3140, 3350		26/6401-3	L.40012			345, 350
1640, 2040, 2040S, 2250, 2450, 2650, 2650N		26/6401-4	L.40041			325, 325N

(A) Sólo para tractores con freno en el eje de transmisión de la junta cardán (APL.345)

Only for tractors with U.J. drive shaft brake (APL.345)

(B) Sólo para tractores con capacidad de elevación aumentada y TdF delantera

Only for tractors with increased lifting capacity and front PTO

Las referencias originales tienen un propósito identificativo.
Nuestras piezas no son originales.

Part numbers are quoted for reference purposes only.
Our parts and accessories are not original.



bepco tractor parts
JOHN DEERE
 (REPLACEMENT PARTS)

EJE FRONTAL
FRONT AXLE DRIVE

Tractores Tractors	Fig. Fig.	Ref. Ref.	OEM	Eje ZF ZF axle	Descripción Description
2140, 2850 (↔ 629299)	3	26/6402-1	AL.62451	735	Nudo cardán completo Universal joint
1640, 2040, 2040S, 2250 (↔ 629299), 2450 (↔ 629299), 2650 (↔ 629299)		26/6402-2	AL.63606	325, 325N	
1550, 1750, 1850, 1950, 2250 (629300 ↔), 2450 (629300 ↔), 2650 (629300 ↔), 2650N, 2850		26/6402-3	AL.64121	315, 325, 325N	
2850 (629300 ↔)		26/6402-4	AL.63619	735	
2140, 3040, 3050, 3140, 3350, 3640		26/6402-5	AL.64120		
2140, 3040, 3140, 3640	4	26/6403-6	AL.55941	345, 350	Cruceta cardán doble dirección Universal joint
1550, 1750, 1850, 1950, 2250, 2450, 2650, 2850	5	26/6404-1	L.61207	315, 325, 325N, 735	Soporte central crucetas Double shift fork
1550, 1750, 1850, 1950, 2250, 2450, 2650	6	26/6405-1	AL.64254	315, 325, 325N	Horquilla porta-cruceta Outer half shaft
1550, 1640, 1750, 1850, 1950, 2040, 2040S, 2250, 2450, 2650		26/6405-2	AL.64125		
1640, 2040, 2040S, 2250, 2450, 2650, 2650N	7	26/6406-1	L.40029	325, 325N	Semi-eje ext. caja planetarios Shaft
3050 (A), 3140 (C), 3350 (A), 3640, 3650		26/6406-2	L.41123	345, 350	
2140, 2850		26/6406-3	L.60106	735	
2140, 2850, 3040, 3050, 3140, 3350, 3640, 3650	8	26/6407-5	AL.61448 AL.39338	735, 345, 350	Retén Seal
1550, 1640, 1750, 1850, 1950, 2040, 2040S, 2250, 2450, 2650, 2650N		26/6407-6	AL.63351	315, 325, 325N	
1550, 1640, 1750, 1850, 1950, 2040, 2040S, 2140, 2250, 2450, 2650, 2850, 3050, 3350, 3650	9	26/6408-7	AL.68210	325, 325N, 735	
1550, 1640, 1750, 1850, 1950, 2040, 2040S, 2140, 2250, 2450, 2650, 2850	10	26/6410-8	AL.38099	315, 325, 325N, 735	Rodamiento bolas Roller bearing
2140, 3040, 3050, 3140, 3350, 3640		26/6410-9	JD.10249	345, 350	
1640, 2040, 2040S, 2250, 2450, 2650	11	26/6430-3	L.40043	325, 325N	Corona reductor Annular gear
2140, 3040, 3050, 3140, 3350, 3640, 3650		26/6430-5	L.40010	345, 350	
2140, 2850		26/6430-6	L.60105	735	
1640, 2040, 2040S, 2250, 2450, 2650	12	26/6431-4	L.40028	325, 325N	Engrane planetario Planetary gear
2140, 3040, 3050, 3140, 3350, 3640, 3650		26/6431-5	L.39994	345, 350	
2140, 2850		26/6431-6	L.60111	735	
1640, 2040, 2040S, 2140, 2250, 2450, 2650, 2850, 3040, 3050, 3140, 3350, 3640, 3650	13	26/6433-3	JD.10250 AL.39377	325, 345, 350, 735	Rodamiento inter. planetario Bearing
1550, 1640, 1750, 1850, 1950, 2040, 2040S, 2250, 2450, 2650	14	26/6450-1	L.40036	315, 325, 325N	Clavija de unión Trunnion
1550, 1750, 1850, 2250, 2450, 2650	15	26/6462-2	L.60747 L.40017		Casquillo Bushing

(A) Sólo para tractores con freno en el eje de transmisión de la junta cardán (APL.345)

Only for tractors with U.J. drive Shaft brake (APL.345)

(C) Sólo para tractores con capacidad de elevación aumentada

Only for tractors with increased lifting capacity

Las referencias originales tienen un propósito identificativo.
Nuestras piezas no son originales.

Part numbers are quoted for reference purposes only.
Our parts and accessories are not original.

(Ed.2) 10/01


"THE RELIABLE SERVICE"


JD - 71

PIEZAS PARA EL EJE DELANTERO
FRONT AXLE PARTS

DOBLE TRACCIÓN / 4 WHEEL DRIVE

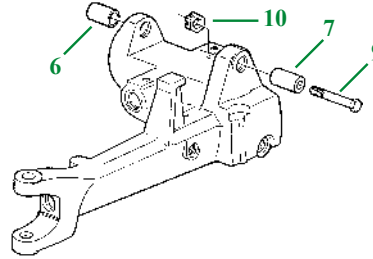


Fig.	6	7	9	10
Tractores <i>Tractors</i>	Casquillo <i>Bush</i>		Tornillo <i>Screw</i>	Tuerca <i>Nut</i>
3050, 3140, 3350, 3640, 3640S, 3650	26/486-20 (L.58229, L.63510)	26/486-21 (L.40771)	26/508-2 (T.29210, L.64734) 3/4"	26/452-1 (14H902, 14H1086) 3/4"
4040, 4230, 4240, 4430, 4440		26/486-16 (T.29205) Ø 38mm Lg. : 110mm		

EJE DELANTERO
FRONT AXLE DRIVE

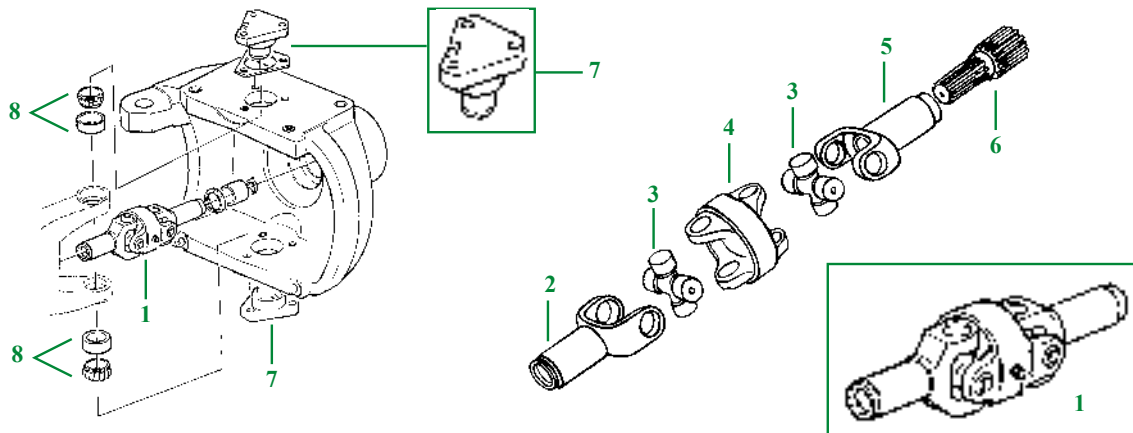


Fig.	1	2	3	4	5	6	7	8
Tractores <i>Tractors</i>	Nudo cardán completo <i>Complete-shaft</i>	Horquilla porta-cruceta <i>Half-shaft</i>	Cruceta cardán doble-dirección <i>Un-joint</i>	Soporte central cruceta <i>Yoke</i>	Horquilla porta-cruceta <i>Half-shaft</i>	Semi-eje ext. caja planet. <i>Shaft</i>	Clavija de unión <i>Pin</i>	Rodamiento <i>Bearing</i>
2140, 3040, 3150	26/6402-5 (AL.37920, AL.64120)	26/6405-3 (AL.55940)	26/6403-8 30 x 83 (AL.34709)	26/6404-2 (L.55870)	26/6405-4 (AL.64253)		26/6450-2 (L.40004) Eje Ø 25,4mm <i>Pin Ø 1"</i>	26/6451-2 (JD.9117 + JD.9053)
3050, 3140, 3340, 3350, 3640, 3650						26/6406-2 (L.41123)		
1550, 1640, 1750, 1840, 1850, 1950, 2040, 2040S, 2250, 2450, 2650							26/6450-1 (L.40036) Eje Ø 22mm <i>Pin Ø 22mm</i>	26/6451-3 (AL.63617) (JD.10252 + JD10253)
2140, 2850							26/6450-3 (L.61209, L.60086) Eje Ø 25mm <i>Pin Ø 25mm</i>	26/6451-4 (JD.10407)

Las referencias originales tienen un propósito identificativo.
Nuestras piezas no son originales.

Part numbers are quoted for reference purposes only.
Our parts and accessories are not original.



"THE RELIABLE SERVICE"

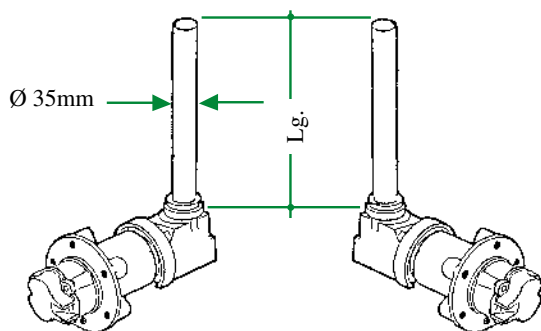


bepco tractor parts

JOHN DEERE
(REPLACEMENT PARTS)

PAREJA DE MANGUETAS Y CUBOS DE RUEDA REFORZADAS
HEAVY DUTY SPINDLES & HUBS (PAIR)

1020, 1030, 1630, 2020, 2030, 2120

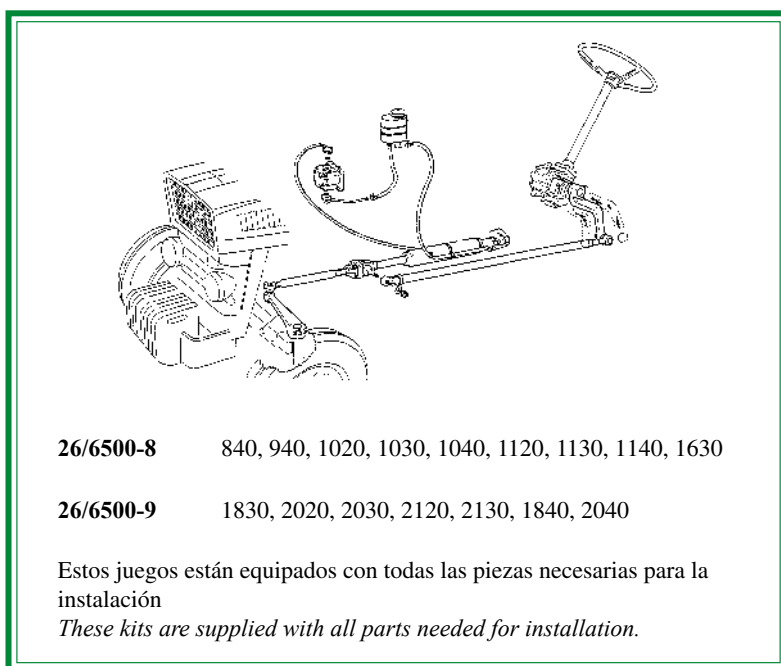


26/472-32 Lg. : 250mm
(J.3102/250)

26/472-33 Lg. : 300mm
(J.3102/300)

26/472-34 Lg. : 388mm
(J.3102/388)

JUEGOS DIRECCIÓN ASISTIDA
POWER STEERING KITS



26/6500-8 840, 940, 1020, 1030, 1040, 1120, 1130, 1140, 1630

26/6500-9 1830, 2020, 2030, 2120, 2130, 1840, 2040

Estos juegos están equipados con todas las piezas necesarias para la instalación

These kits are supplied with all parts needed for installation.

Las referencias originales tienen un propósito identificativo.
Nuestras piezas no son originales.

Part numbers are quoted for reference purposes only.
Our parts and accessories are not original.



PIEZAS PARA EL EJE DELANTERO
FRONT AXLE PARTS

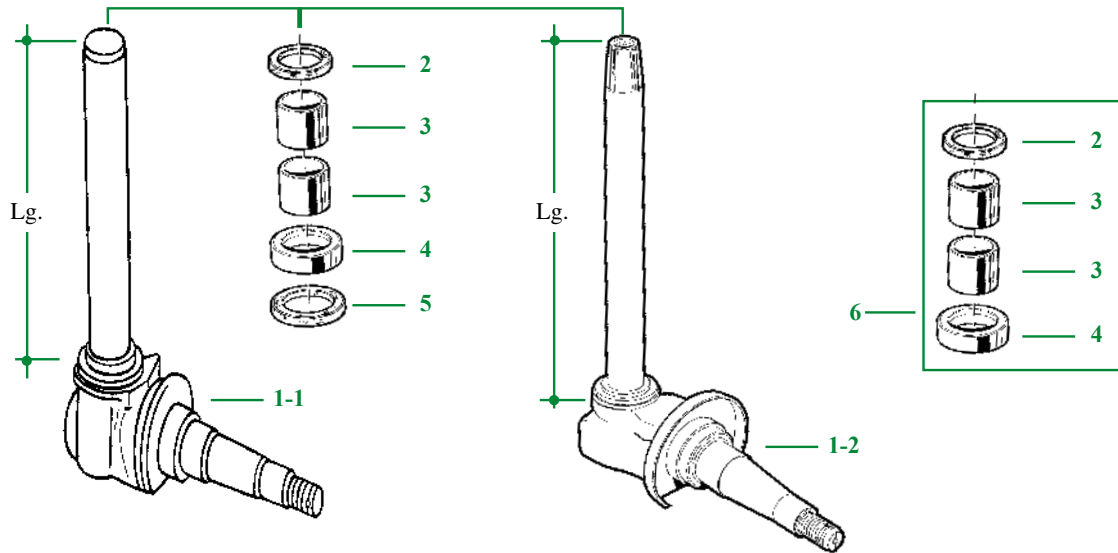


Fig.	1	2	3	4	5	6
Tractores Tractors	Mangueta (izq. o drcha.) Spindle (LH or RH)	Retén Seal	Casquillo Bush	Rodamiento Bearing	Retén Seal	Juego Set
Viñero / Wine grower tractor 920, 930, 940, 1020, 1030, 1040, 1140, 1630	26/470-27 (AR.58609) 1-1 Lg. : 250mm Ø 35mm					
Tractor Frutero Fruit grower tractor 1020, 1120, 2020, 2120, 1840	26/470-28 (AT.23637) 1-1 Lg. : 194mm Ø 35mm					
820, 830, 840, 920, 930, 940, 1020, 1030, 1040, 1120, 1130, 1140, 1350, 1550, 1630, 1640, 1750, 1840, 1850, 1950, 2020, 2030, 2120, 2250	26/470-201 (AR.58606, AR.52861, AT.23636) 1-1 Lg. : 300mm Ø 35mm	26/476-10 (M.1518T)	26/477-10 (T.21539)	26/479-10 (JD.8407)	26/474-1 (M.2282T)	26/475-13 (B.1262)
940, 1020, 1030, 1040, 1120, 1130, 1140, 1550, 1630, 1750, 1850, 1950, 2020, 2120	26/470-29 (AR.58607) 1-1 Lg. : 388mm Ø 35mm					
3120	26/470-30 (AT.27230) 1-2 Lg. : 345mm Ø 38mm					
2030, 2130, 3130	26/470-202 (AL.19730, DE.12447) 1-2 Lg. : 380mm Ø 38mm	26/476-11 (T.15288)	26/477-11 (T.21553)	26/479-11 (JD.8410)	26/474-2 (T.15284)	26/475-14 (B.1263)
1640, 1840, 2040, 2040S, 2140, 2450, 2650, 2850	26/470-200 (AL.28222) 1-2 Lg. : 375mm Ø 44,5mm					
1640, 2040, 2040S, 2140, 3030, 3130, 3040, 3140, 3340, 3150, 3350	26/470-31 (AR.74606) 1-2 Lg. : 375mm Ø 44,5mm		26/477-12 (T.34546)	26/479-12 (JD.8412)	26/474-3 (T.31749)	26/475-15 (B.1264)

Las referencias originales tienen un propósito identificativo.
Nuestras piezas no son originales.

Part numbers are quoted for reference purposes only.
Our parts and accessories are not original.



PIEZAS PARA EL EJE DELANTERO
FRONT AXLE PARTS

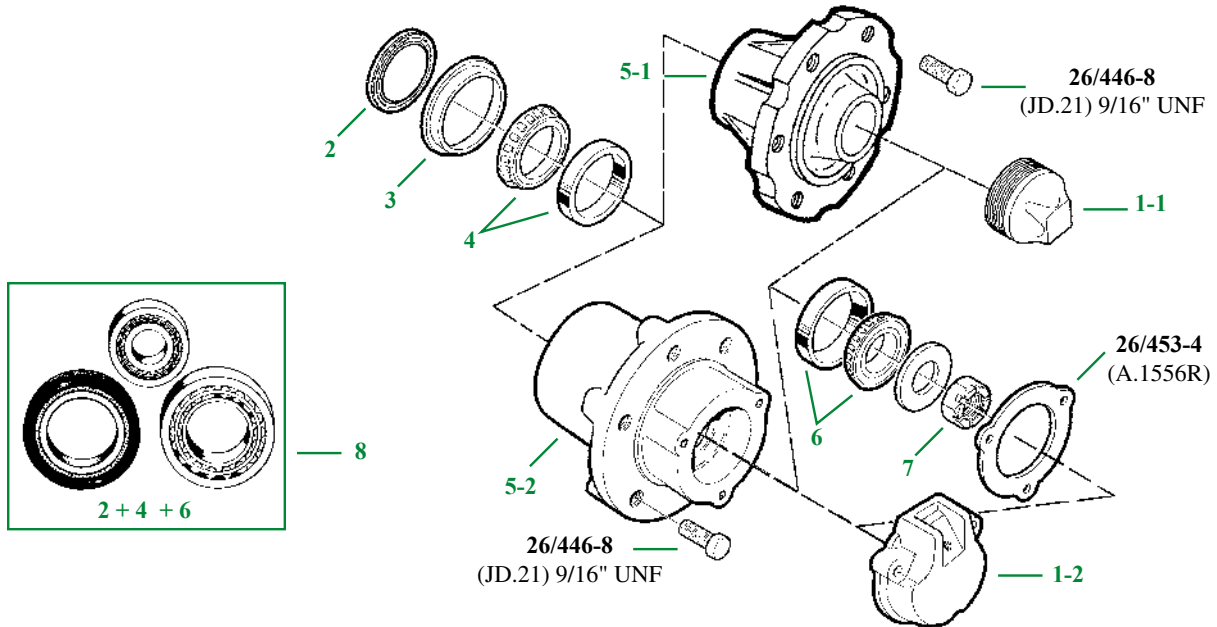


Fig.	1	2	3	4	5	6	7	8
Tractores Tractors	Tapón Cap	Retén Seal	Anillo Ring	Cojinete Bearing	Cubo rueda Hub	Cojinete Bearing	Tuerca Nut	Juego Set
Tractor estrecho <i>Narrow tractor</i> 1020, 1030, 1040, 1140					26/450-18 (T.26716)			
500, 510, 700, 710				26/462-9 (A)		26/463-3		
Eje normal <i>Standard axle</i> 830, 930, 940, 1020, 1030, 1040, 1120, 1130, 1140, 1350, 1550, 1750, 1630, 1830, 1850, 1950, 2020, 2120, 2030, 2130	26/454-10 (T.12688) (Para insertar To insert) 1-1	26/461-15 (AR.49592) Ø 65,1mm		26/462-15 (JD.8194 + JD.8230)(B)	26/450-200 (R.47076) 5-1	26/463-15 (JD.8905 + JD.8239)	26/452-1 (14H902, 14H1086) 3/4"	26/460-15 (B.1027)
Eje reforzado <i>Heavy duty axle</i> 1020, 1030, 1120, 1130, 1630, 1830, 2030, 2130 (Ø 242099)				26/462-16 (JD.8913 + JD.7445) (C)				26/460-16 (B.1028)
Eje reforzado <i>Heavy duty axle</i> 1040, 1130, 1140, 1550, 1630, 1830, 2030, 2130 (242100 Ø), 1640, 1750, 1840, 1850, 1950, 2040, 2040S, 2140, 2250, 2450, 2650, 2850	26/454-11 (A.1555R) (Fijación de tres puntos Fixing 3 screws) 1-2	26/461-16 (AR.26480) Ø 88,4mm	26/461-25 (R.26632)	26/462-17 (JD.8969 + JD.7445) (D)	26/450-201 (T.21545) 5-2	26/463-16 (JD.8929 + JD.8251)	26/452-5 (14H920) 1"	26/460-17 (B.1029)
3030, 3120, 3130 (Neumáticos/Tyres 750x18, 750x20)				26/462-16 (C)				26/460-16 (B.1028)
3050, 3130, 3140, 3350 3030, 3040 (Neumáticos Tyres 10.00x16, 10.50x18)				26/462-17 (D)				26/460-17 (B.1029)

(A) Ø int. 41,27mm

(B) Ø int. 34,92mm

(C) Ø int. 42,87mm

(D) Ø int. 45,6mm

(A) Inner Ø 41.27mm

(B) Inner Ø 34.92mm

(C) Inner Ø 42.87mm

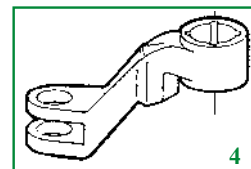
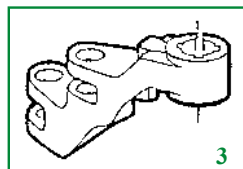
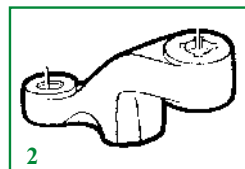
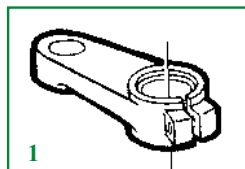
(D) Inner Ø 45.6mm

Las referencias originales tienen un propósito identificativo.
Nuestras piezas no son originales.

Part numbers are quoted for reference purposes only.
Our parts and accessories are not original.

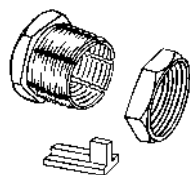


PIEZAS PARA EL EJE DELANTERO
FRONT AXLE PARTS



Tractores Tractors	Fig. Fig.	Derecha RH	Izquierda LH	Cono Cone	Eje Shaft
BRAZOS DE DIRECCIÓN MANUAL / MANUAL STEERING ARMS					
840, 940, 1020, 1030, 1040, 1120, 1130, 1140, 1350, 1550, 1630, 1640, 1750, 1850, 1950, 2020, 2120, 2250	1	26/501-3 (T.21618)	26/501-4 (T.21619)	16/18mm	Ø 35mm
1640, 1830, 1840, 2030, 2040, 2040S, 2130, 2140, 2250, 2450, 2650, 2850, 3030, 3120, 3130	2	26/501-6 (R.51187, L.28314)	26/501-5 (R.51186, L.28315)	20/22mm	Ø 33/38mm
1040, 1120, 1140, 1550, 1630, 1750, 1850, 1950, 2120		26/501-7 (L.25879)	26/501-9 (L.25880)	16/18mm	
3120 (⇨ 075015)		26/501-8 (T.29216)	26/501-10 (T.29217)	17/19mm	
BRAZO DIRECCIÓN HIDROSTÁTICA / HYDROSTATIC STEERING ARM					
1640, 2040, 2040S, 2140, 2250, 2450, 2650, 2850, 3040, 3050, 3140, 3350	3	26/500-7 (L.34366)			
	4		26/500-8 (L.35960)		

JUEGO DE REPARACIÓN PARA LA ROSCA DE LA MANGUETA DELANTERA
FRONT SPINDLE THREAD REPAIR KIT



70/457-9 (Ex : LN.10/24M)
Rosca / Thread 24 x 1,5mm

310, 500, 510, 700, 710

70/457-2 (Ex : LN.10-2)
Rosca / Thread 3/4" x 18 UNF

830, 930, 940, 1020, 1030, 1040, 1120, 1130, 1040, 1140, 1350, 1550, 1750, 1630, 1830, 1850, 1950, 2020, 2120, 2030, 2130

70/457-6 (Ex : LN.10-6)
Rosca / Thread 1" x 14 UNF

1020, 1030, 1040, 1120, 1130, 1140, 1550, 1630, 1640, 1750, 1830, 1840, 1850, 1950, 2030, 2040, 2040S, 2130, 2140, 2250, 2450, 2650, 2850, 3030, 3040, 3130, 3140, 3150, 3340, 3350

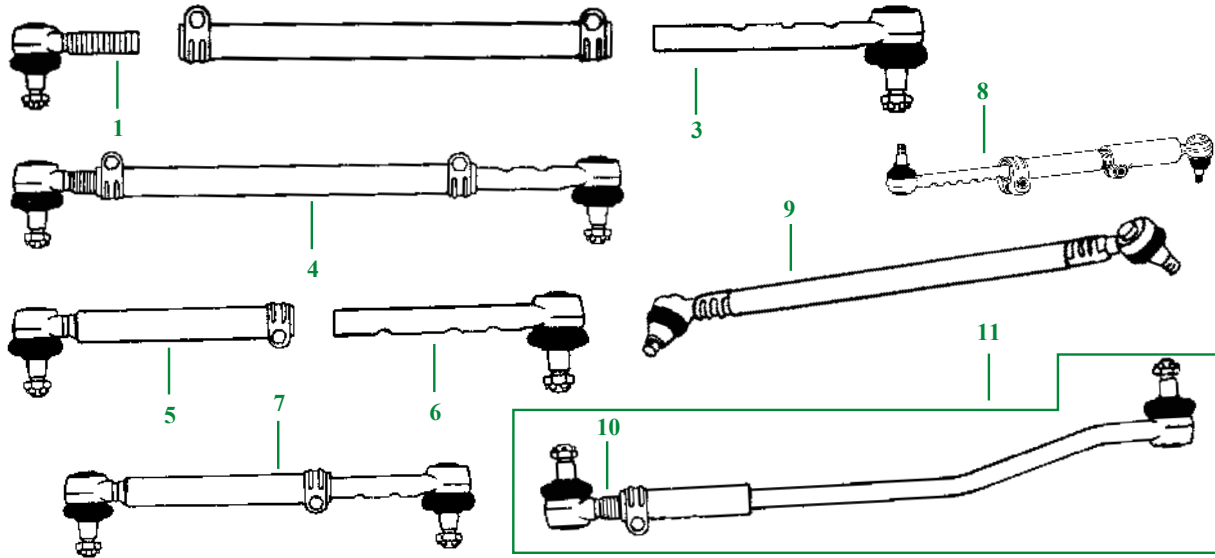
La tuerca interior se aplica a la rosca usada y se asegura con la tuerca exterior.
The inner cone nut is screwed on the worn thread and is locked by the outer nut.

Las referencias originales tienen un propósito identificativo.
Nuestras piezas no son originales.

*Part numbers are quoted for reference purposes only.
Our parts and accessories are not original.*



RÓTULAS Y ACOPLES DE DIRECCIÓN
STEERING LINKS & SOCKETS



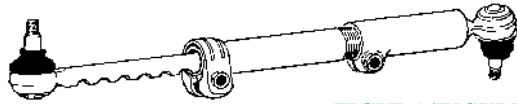
Tractores Tractors	Fig. Fig.	Ref. Ref	Rosca o Ø Thread or Ø	Longitud Length	Cono Cone
TRACTORES ESTRECHOS NARROW TRACTORS					
1020V, 1030V 1040V, 1140V	1	26/496-51 (AL.39032, AT.31327, DE.16309)	M 11/16" D (RH)	90mm	14,3/15,8mm
	3	26/495-55 (AL.39031, AT.31326, DE.16310)	Ø 16mm	290mm	
	4	26/493-20 (AL.39030, AT.24357, DE.16308)		Cerrado : 700mm Closed : 700mm	
	5	26/497-54 (AT.31328, DE.16312)	F. Ø 15mm	320mm	
	6	26/495-56 (AL.39034, AT.31329, DE.16313)	Ø 15mm	210mm	
	7	26/493-21 (AL.39033, AT.24356, DE.16311)		Cerrado : 350mm Closed : 350mm	
	9	26/490-17 (AT.24350)		970mm	
1020V, 1030V	6	26/495-14 (AL.39019)	Ø 20mm	235mm	16,5/18,5mm
	8	26/493-14 (AL.39018)		Cerrado : 280mm Closed : 280mm	
1040V, 1140V	10	26/491-21 (DE.16386)	M 20 x 1,5 D (RH)	115mm	14,3/15,8mm
	11	26/490-18 (DE.16384)		Cerrado : 950mm Closed : 950mm	14,3/15,8 x 16,5/18,5mm

Las referencias originales tienen un propósito identificativo.
Nuestras piezas no son originales.

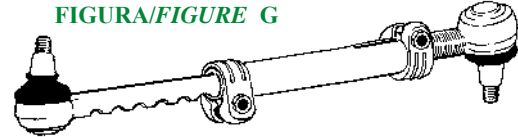
Part numbers are quoted for reference purposes only.
Our parts and accessories are not original.



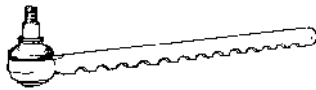
RÓTULAS Y ACOPLES DE DIRECCIÓN
STEERING LINKS & SOCKETS



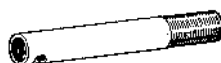
FIGURA/FIGURE D



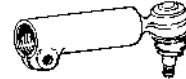
FIGURA/FIGURE G



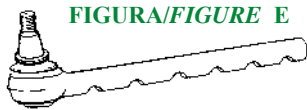
FIGURA/FIGURE A



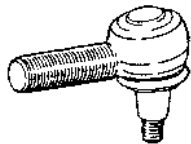
FIGURA/FIGURE B



FIGURA/FIGURE C

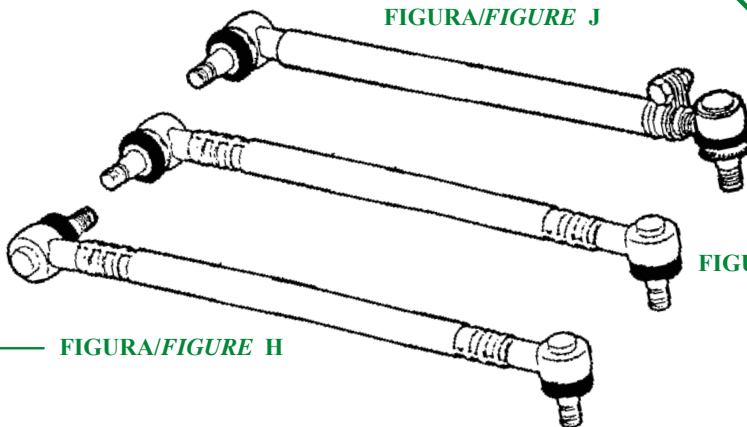
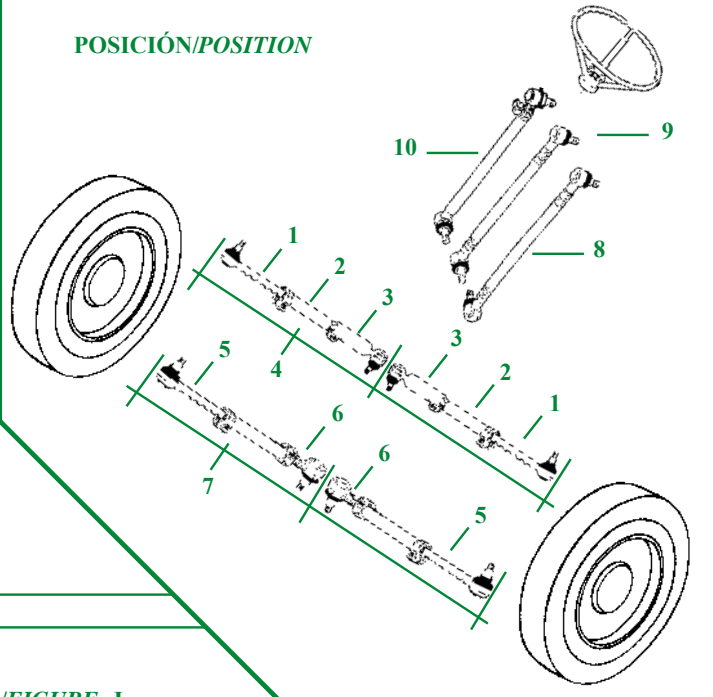


FIGURA/FIGURE E



FIGURA/FIGURE F

POSICIÓN/POSITION



FIGURA/FIGURE H

FIGURA/FIGURE I

FIGURA/FIGURE J

Las referencias originales tienen un propósito identificativo.
Nuestras piezas no son originales.

Part numbers are quoted for reference purposes only.
Our parts and accessories are not original.



RÓTULAS Y ACOPLERES DE DIRECCIÓN STEERING LINKS & SOCKETS

Ver página JD-78 para figuras y posiciones / See page JD-78 for figures & position

Tractores Tractors	Fig. Fig.		Posición Position	Rosca o Ø Thread or Ø	Longitud Length	Cono Cone
TRACTORES CON DIRECCIÓN MANUAL 2 WHEEL DRIVE TRACTORS WITH MANUAL STEERING						
820, 830, 920, 930, 1020, 1030, 1120, 1130, 1630	I	26/490-10 (AL.41600, AT.19808)	9		910mm	16,5/18,5mm
	A	26/495-16 (AL.39024)	1	Ø 20mm	340mm	
	C	26/497-7 (AL.39020)	3	F 1 1/8" UNF	150mm	
	B	26/497-7A (T.29109)	2	F 1 1/8" - Ø 20	290mm	
	D	26/493-16 (AL.39023)	4		400 ⇄ 680mm	
840, 940, 1040, 1140, 1350, 1550, 1750, 1850	I	26/490-10 (AL.41600, AT.19808)	9		910mm	16,5/18,5mm
	H	26/490-12 (AL.39036)	8		910mm	
	A	26/495-16 (AL.39024) (A)	1	Ø 20mm	340mm	
	C	26/497-7 (AL.39020)	3	F 1 1/8" UNF	150mm	
	B	26/497-7A (T.29109)	2	F 1 1/8" - Ø 20	290mm	
	D	26/493-16 (AL.39023) (A)	4		400 ⇄ 680mm	
1640 (Despeje bajo / Low clearance)	J	26/490-14 (AL.38638, DE.16223)	10		1130 ⇄ 1180mm	20/22mm
	A	26/495-16 (AL.39024)	1	Ø 20mm	340mm	16,5/18,5mm
	C	26/497-7 (AL.39020)	3	F 1 1/8" UNF	150mm	
	B	26/497-7A (T.29109)	2	F 1 1/8" Ø 20mm	290mm	
	D	26/493-16 (AL.39023)	4		400 ⇄ 680mm	
I	26/490-11 (AL.39035, AT.19807)	9		1050mm		
2020, 2120	A	26/495-16 (AL.39024)	1	Ø 20mm	340mm	16,5/18,5mm
	C	26/497-7 (AL.39020)	3	F 1 1/8" UNF	150mm	
	B	26/497-7A (T.29109)	2	F 1 1/8" Ø 20mm	290mm	
	D	26/493-16 (AL.39023)	4		400 ⇄ 680mm	

(A) Para puentes en V / For swept-back front axle: 26/495-15 (AL.39022) Sustituye/ Repl. : 26/495-16
26/493-15 (AL.39021) Sustituye/ Repl. : 26/493-16

Las referencias originales tienen un propósito identificativo.
Nuestras piezas no son originales.

Part numbers are quoted for reference purposes only.
Our parts and accessories are not original.



RÓTULAS Y ACOPLES DE DIRECCIÓN STEERING LINKS & SOCKETS

Ver página JD-78 para figuras y posiciones / See page JD-78 for figures & position

Tractores Tractors	Fig. Fig.		Posición Position	Rosca o Ø Thread or Ø	Longitud Length	Cono Cone
TRACTORES CON DIRECCIÓN MANUAL 2 WHEEL DRIVE TRACTORS WITH MANUAL STEERING						
1830, 2030, 2130	J	26/490-13 (AL.38636)	10		1025 ⇄ 1075mm	
	E	26/495-17 (AL.37505, AL.27533, DE.16222)	5	Ø 22mm	330mm	
	F	26/497-10 (AL.37504, AL.38645, AL.27532, DE.16221)	6	M 24D	105mm	
	G	26/493-17 (AL.38637, AL.19726)	7		440 ⇄ 590mm	
1640, 1840, 2040, 2040S, 2140	J	26/490-14 (AL.38638, DE.16223)	10		1130 ⇄ 1180mm	20/22mm
	E	26/495-17 (AL.37505, AL.27533, DE.16222)	5	Ø 22mm	330mm	
	F	26/497-10 (AL.37504, AL.38645, AL.27532, DE.16221)	6	M 24D	105mm	
	G	26/493-17 (AL.38637, AL.19726)	7		440 ⇄ 590mm	
2250, 2450, 2650, 2850	J	26/490-14 (AL.38638, DE.16223)	10		1130 ⇄ 1180mm	20/22mm
	E	26/495-17 (AL.37505, AL.27533, DE.16222)	5	Ø 22mm	330mm Ranuras inferiores Lower grooves	
	F	26/497-10 (AL.37504, AL.38645, AL.27532, DE.16221)	6	M 24D	105mm	
	G	26/493-17 (AL.38637, AL.19726)	7		440 ⇄ 590mm	
3120 (⇄ 075015)	I	26/490-15 (AL.39026, AT.26382)	9		1310mm	17/19mm
	E	26/495-18 (AL.39027, AT.31325)	5	Ø 20mm	370mm	
	F	26/497-9 (AL.39029, AT.27132)	6	M 20D	100mm	
	G	26/493-18 (AL.39037)	7		470 ⇄ 640mm	
3120 (075016 ⇄) 3030, 3130	J	26/490-16 (AL.38641)	10		1300 ⇄ 1350mm	20/22mm
	E	26/495-19 (AL.38646)	5	Ø 22mm	345mm Ranuras superiores Upper grooves	
	F	26/497-10 (AL.38645, AL.37504, AL.27532, DE.16221)	6	M 24 D	105mm	

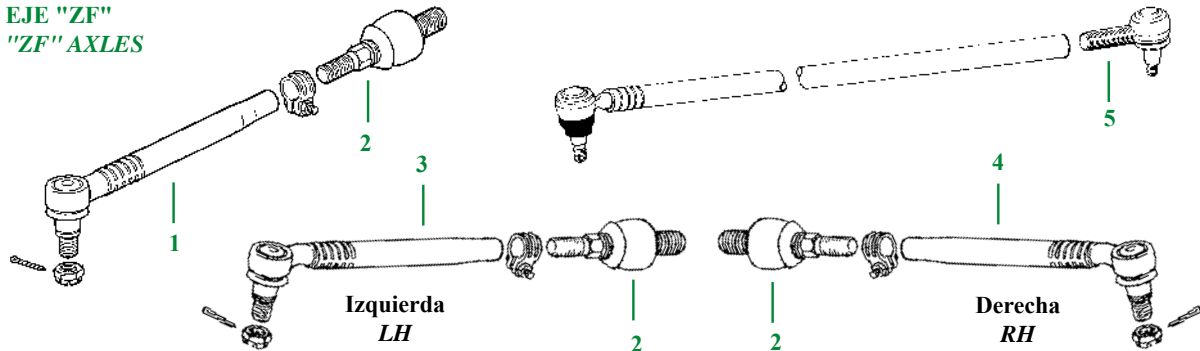
Las referencias originales tienen un propósito identificativo.
Nuestras piezas no son originales.

Part numbers are quoted for reference purposes only.
Our parts and accessories are not original.



RÓTULAS Y ACOPLÉS DE DIRECCIÓN
STEERING LINKS & SOCKETS

EJE "ZF"
"ZF" AXLES



Tractores Tractors	Fig. Fig.	Ref. Ref.	Rosca o Ø Thread or Ø	Longitud Length	Cono Cone
TRACTORES CON DOBLE TRACCIÓN Y DIRECCIÓN ASISTIDA 4 WHEEL DRIVE TRACTORS WITH POWER STEERING					
1640, 1840, 2040, 2040S, 2250, 2450 Eje ZF - APL.315 / Axle 1550, 1750, 1850, 1950	1	26/495-45 (AL.39319)	F 18D	285mm	20/22mm
Eje ZF - APL.325 / Axle 2650, 2850	2	26/497-45 (AL.39320)	M 18D - M 20D	178mm	
Eje ZF - APL.735 / Axle 2140	2	26/497-45 (AL.39320)	M 18D - M 20D	178mm	
Eje ZF - APL.345 / Axle 2140 (⇨ 024905) 3040, 3140 (⇨ 026316)	3	26/495-51 (AL.39315) (LH)	F 24D	315mm	23,5/25,5mm
	4	26/496-49 (AL.39318) (RH)	F 24D		
	2	26/497-46 (AL.60161, AL.39316)	M 24D - M 22D	210mm	
Eje ZF - APL.345 / Axle 2140 (024906 ⇨) 3040, 3140 (026317 ⇨) 3150DT, 3340DT, 3350DT, 6200DT, 6300DT, 6400DT	3	26/495-47 (LH) (AL.58013)	F 24D	290mm	23,5/25,5mm
	4	26/496-47 (RH) (AL.58014)	F 24D		
	2	26/497-46 (AL.60161)	M 24D - M 22D	210mm	
Eje ZF - APL.350 / Axle 3040, 3050, 3140, 3350, 3640, 3650	3	26/495-52 (LH) (AL.68254)	F 28D	275mm	23,5/25,5mm
	4	26/496-50 (AL.68255) (RH)			
	2	26/497-47 (AL.68253)	M 28D - M 24D	235mm	
Eje ZF - APL.1552 / Axle 2140, 3040, 3140	5	26/497-51 (AL.37523)	M 24D	115mm	23,5/25,5mm

Nota : M 18 D Rótula macho M18 rosca drcha. / Tie rod male M18 RH thread
F 24 D Rótula hembra M24 rosca drcha. / Tie rod female M24 RH thread

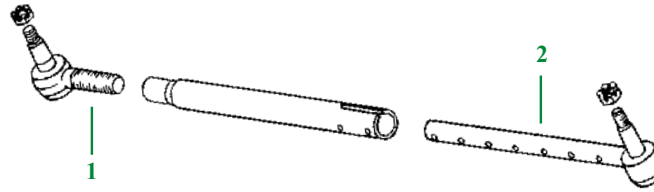
Las referencias originales tienen un propósito identificativo.
Nuestras piezas no son originales.

Part numbers are quoted for reference purposes only.
Our parts and accessories are not original.



RÓTULAS Y ACOPLÉS DE DIRECCIÓN
STEERING LINKS & SOCKETS

TRACTORES AMERICANOS
US TRACTORS



Tractores Tractors	Fig. Fig.	Ref. Ref.	Rosca o Ø Thread or Ø	Longitud Length	Cono Cone
RÓTULAS PARA TRACCIÓN SIMPLE - USA TIE RODS 2 WHEEL DRIVE - USA					
4030, 4040, 4050, 4055, 4230, 4240, 4250, 4255, 4430, 4440, 4450, 4455	1	26/497-52 (AR.63588, AH.75389)	7/8" UNF	105mm	11/16" x 13/16"
	2	26/495-53 (AR.63592)	Ø 1"	410mm	11/16" x 13/16"
4630, 4640	1	26/497-53 (AR.63590)	1" UNF	105mm	3/4" x 15/16"
	2	26/495-54 (AR.63587)	Ø 1 1/8"	442mm	3/4" x 15/16"

DIRECCIÓN HIDROSTÁTICA
HYDROSTATIC STEERING

REPUESTOS PARA RÓTULAS Y CILINDROS
TIE ROD & CYLINDER SPARE PARTS

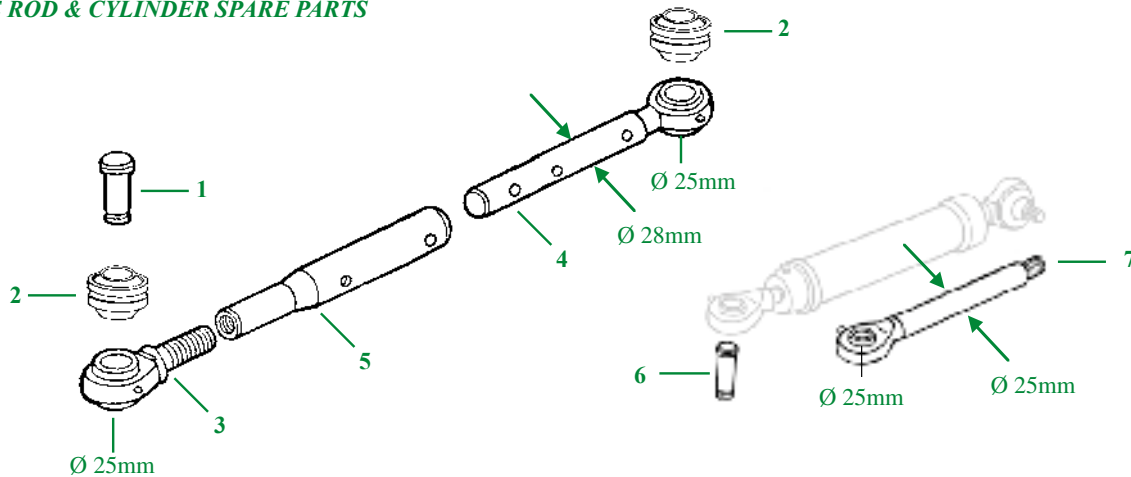


Fig.	1	2	3	4	5	6	7
Tractores Tractors	Bulón Pin	Buje Bush	Rótula Tie rod	Rótula Rod	Tubo Tube	Eje Axe	Rótula Rod
1640, 2040, 2040S, 2140, 3040, 3140, 3340	26/577-2 (L.36086) Lg. : 67mm	26/579-2F Ht. 31mm	26/579-2B (AL.37193, AL.31497) M.24D	26/579-2D (AL.37194, AL.31498) Lg. : 615mm	26/579-2C (L.39807, L.34443)	26/577-3 (L.36085) Lg. : 73mm	26/581-17 (AL.33038) Lg. : 375mm
3050, 3350							
2250, 2450, 2650, 2850							

Las referencias originales tienen un propósito identificativo.
Nuestras piezas no son originales.

Part numbers are quoted for reference purposes only.
Our parts and accessories are not original.



"THE RELIABLE SERVICE"



DIRECCIÓN MANUAL E HIDRÁULICA
MANUAL & HYDRAULIC STEERING

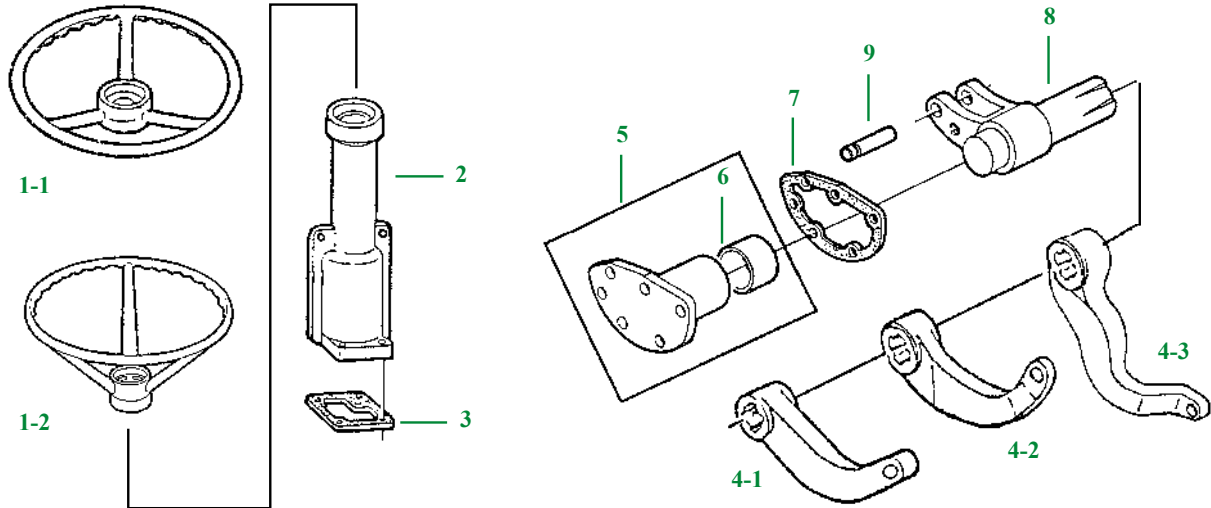


Fig.	1	2	3	4	
Tractores Tractors	Volante Steering wheel	Tapa carter Housing	Junta Gasket	Brazo Arm	Cono Cone
Series "20", "30", "40", "50"	26/510-6 (T.22875, AL.28457) 1-1	26/523-1 (R.52989, T.25294) (Dirección manual Manual steering)	26/532-2 (T.21528)	26/546-8 (T.28272, T.22525) 4-1	16,5 x 18,5mm
820, 840, 920, 930, 940, 1020, 1030, 1040, 1120, 1130, 1140, 1350, 1550, 1630, 1750, 1850, 2020, 2030, 2120, 3120				26/546-9 (L.37327, L.33213, L.42080) 4-2	20 x 22mm
940, 1040, 1140, 1640, 1840, 2040, 2140	26/546-10 (L.56578) 4-3				
2450, 2650, 2850	26/510-7 (L.28988, AL.28458) 1-2	26/523-2 (AL.31515, AL.70699, AT.23175) (Dirección hidráulica Hydraulic steering)			

Fig.	5	6	7	8	9
Tractores Tractors	Tapa Cover	Buje Bush	Junta Gasket	Eje Shaft	Pasador Pin
820, 920, 930, 940, 1020, 1030, 1040, 1130, 1140, 1350, 1550, 1630, 1640, 1750, 1830, 1840, 1850, 1950, 2020, 2030, 2040, 2040S, 2120, 2130, 2140, 2250, 2450, 2650, 2850, 3030, 3120, 3130	26/540-4 (AT.20854, AT.46457, AT.54955, AL.30173, AL.40871)	26/543-8 (T.21445, L.64265)	26/541-3 (T.21527, L.35654, L.62423)	26/535-10 (T.21546, L.42079) (Dirección hidráulica Hydraulic steering)	26/538-5B (T.21722)
				26/535-11 (T.21866) (Dirección manual Manual steering)	

Las referencias originales tienen un propósito identificativo.
Nuestras piezas no son originales.

Part numbers are quoted for reference purposes only.
Our parts and accessories are not original.



DIRECCIÓN HIDRÁULICA
HYDRAULIC STEERING

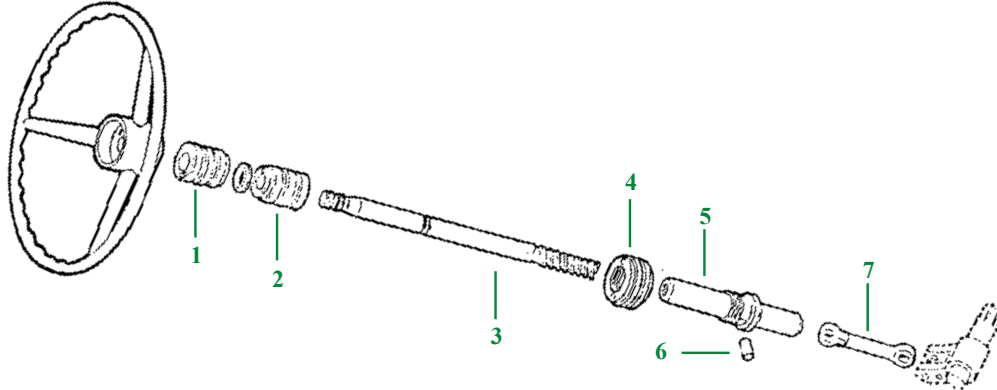
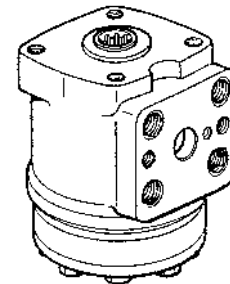


Fig.	1	2	3	4	5	6	7
Tractores Tractors	Válvula Valve		Eje Shaft	Pistón Piston	Eje Shaft	Bulón Pin	Eslabón Link
930							
940, 1020, 1030, 1040, 1130, 1140, 1550, 1630, 1640, 1750, 1830, 1840, 1850, 1950, 2020, 2030, 2040, 2120, 2130			26/530-15 (L.29199) Lg. : 350mm				
2140 (España/Spain)	26/534-2 (AL.26312, AT.28055)	26/534-1 (AL.26311, AT.25490)	26/530-17 (CE.14750) Lg. : 400mm	26/542-1 (R.57292, T.25325)	26/538-5 (T.25323)	26/538-5A (T.21655)	26/539-1 (T.25324, L.35639)
2250			26/530-18 (L.58482) Lg. : 450mm				
2450, 2650, 2850							
3030, 3120, 3130							
3135 (España/Spain)			26/530-16 (CE.13928) Lg. : 540mm				

DIRECCIÓN HIDROSTÁTICA
HYDROSTATIC STEERING

SISTEMA "ORBITROL" SYSTEM

Tractores Tractors	Unidad de dirección Steering unit	Unidad de dirección Steering unit
	OSP 100CN 150-0173	OSP 160CN 150-0175
1640, 2040	26/560-3 (AL.55954)	
2040S, 2140, 3040, 3140, 3340 (España/Spain), 2940 (USA/US)	26/560-3 (AL.55954) (A)	26/560-4 (AL.55956) (B)



(A) OSPC 100cc Tractores sin hidráulico auxiliar / tractors without auxiliary hydraulics
(B) OSPC 125cc Tractores con hidráulico auxiliar / tractors with auxiliary hydraulics

Las referencias originales tienen un propósito identificativo.
Nuestras piezas no son originales.

Part numbers are quoted for reference purposes only.
Our parts and accessories are not original.



TUBERÍAS DE LA BOMBA HIDRÁULICA
HYDRAULIC PUMP DRIVES

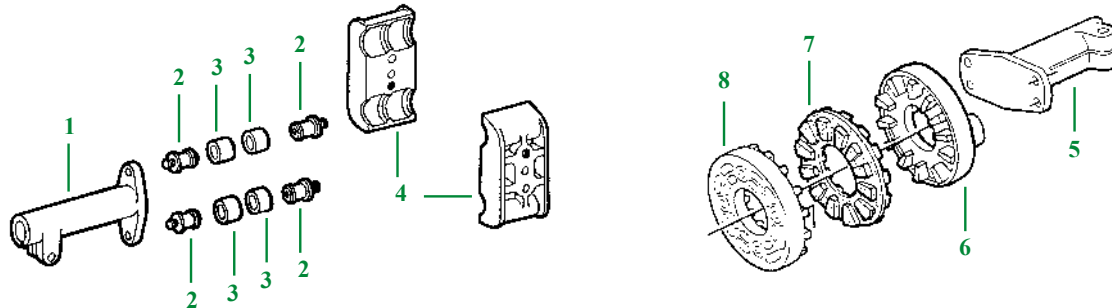
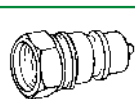


Fig.	1	2	3	4
Tractores <i>Tractors</i>	Conducto <i>Drive</i>	Tornillo <i>Bolt</i>	Casquillo <i>Bush</i>	Palier <i>Flange</i>
830, 930, 1020, 1030, 1130, 1830, 2020, 2030, 2120, 2130, 3020, 3030, 3120, 3130 (311079 ⇔)	26/6632-1 (L.32862, T.22914) Lg. : 124mm	26/6632-1A (R.34360)	26/6633-1 (AR.49427) Jeu de 4 Set 4	26/6634-1 (R.38348)
3030, 3120, 3130 (⇔ 311078)	26/6632-2 (T.28263) Lg. : 166mm			

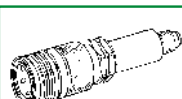
Fig.	5	6	7	8
Tractores <i>Tractors</i>	Conducto <i>Drive</i>	Pestaña frontal <i>Front flange</i>	Flector <i>Cushion</i>	Pestaña posterior <i>Rear flange</i>
1640, 1840, 2040, 2140, 2250, 2450, 2650, 2850	26/6632-3 (L.34572) Lg. : 198mm	26/6639-1 (L.34432)	26/6638-1 (T.58196, R.78202)	26/6637-1 (L.34569)
1350, 1550, 1750, 1850	26/6632-4 (L.62258) Lg. : 114mm			
3050, 3150, 3350, 3650	26/6632-5 (L.42187) Lg. : 250mm			
Otros Modelos/ <i>Other models</i> Series 40 & 50 Series		26/6639-1 (L.34432)	26/6638-1 (T.58196, R.78202)	26/6637-1 (L.34569)

ACOPLAMIENTOS HIDRÁULICOS
HYDRAULIC COUPLINGS

ACOPLAMIENTO RÁPIDO
QUICK RELEASE



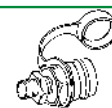
26/907-2
(AL.26971)
3/4" UNF
Macho / Male



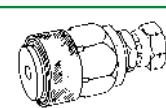
26/908-2
(AL.26972)
3/4" UNF
Hembra / Female

830, 840, 930, 940, 1020, 1030, 1040, 1120, 1130, 1140, 1350, 1550, 1630, 1640, 1750, 1830, 1840, 1850, 1850N, 1950, 1950N, 2020, 2030, 2040, 2040S, 2120, 2130, 2140, 2250, 2450, 2650, 2650N, 2850, 3020, 3030, 3040, 3050, 3120, 3130, 3140, 3350, 3640, 3650, 4040, 4040S

FRENO
TRAILER BRAKE



26/905-3
(AR.52372)
M18
Macho / Male



26/906-4
(AR.52361)
M18
Hembra / Female

Las referencias originales tienen un propósito identificativo.
Nuestras piezas no son originales.

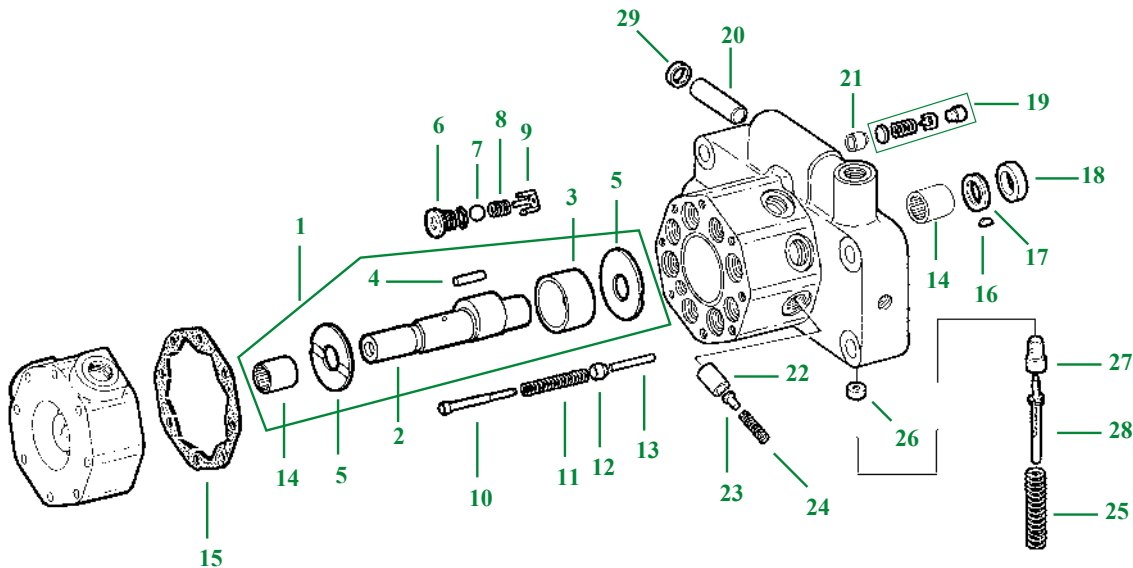
Part numbers are quoted for reference purposes only.
Our parts and accessories are not original.



BOMBAS HIDRÁULICAS
HYDRAULIC PUMPS

Estas piezas se utilizan en las bombas de 11,3 cm³, 12 cm³, 22,6 cm³, & 23 cm³ (AR.39167, AR.103035, AR.39168 & AR.103036)

These parts fit all 11,3 cm³, 12 cm³, 22,6 cm³, and 23 cm³ pumps (AR.39167, AR.103035, AR.39168 & AR.103036)



830, 840, 930, 940, 1020, 1030, 1040, 1120, 1130, 1140, 1350, 1550, 1630, 1640, 1750, 1830, 1840, 1850, 1950, 2020, 2030, 2040, 2040S, 2120, 2130, 2140, 2250, 2450, 2650, 2850, 3030, 3040, 3050, 3120, 3130, 3140, 3150, 3340, 3350, 3640, 3640S, 3650

Fig. Fig.	Ref. Ref.	Descripción Description	Fig. Fig.	Ref. Ref.	Descripción Description	Fig. Fig.	Ref. Ref.	Descripción Description
1	26/608-6 (AL.35755)	Juego 2, 3, 4 (x33), 5 (x2), 14 (x2)	10	26/629-1 (R.39181)	Guía	20	26/6616-1 (R.27173)	Filtro Filter
	26/608-5 (B.60805)	Juego 2, 5 (x2), 14 (x2), 16, 17, 18	11	26/6630-1 (R.68390, R.31630)	Muelle Spring	21	26/6617-1 (R.39067, R.105583)	Asiento Seat
2	26/611-3 (R.39319)	Eje Shaft	12	26/6640-1 (R.39180)	Asiento Seat	22	26/6618-1 (R.63022, R.39068)	Pistón Piston
3	26/6623-1 (R.63629, R.39017)	Buje Bushing	13	26/6641-1 (R.39179)	Pasador Pin	23	26/6621-1 (R.39070)	Guía Guide
4	26/6622-1 (R.39073)	Pasador Roller	14	26/618-2 (JD.9858)	Cojinete Needle bearing	24	26/6619-1 (AR.39041)	Muelles (Juego 8) Springs (Set 8)
5	26/612-1 (R.66164, R.39016)	Arandela Washer	15	26/6613-1 (R.59234, R.39178, L.62442)	Junta Gasket	25	26/6611-1 (R.39240)	Muelle Spring
6	26/6624-1 (R.68553, R.39075)	Asiento Seat	16	26/623-1 (26H77)	Eje Shaft key	26	26/6612-1 (R.72936, R.38041)	Asiento Seat
7	26/418-2 (D.2361R)	Bola Ball	17	26/619-1 (R.39182, R.63605)	Anillo Ring	27	26/615-6 (R.68384, R.40756)	Válvula Valve
8	26/6625-1 (R.39078)	Muelle Spring	18	26/613-1 (AR.39052)	Retén Seal	28	26/6610-1 (R.76167, R.68383, R.39242)	Guía Guide
9	26/6626-1 (R.39076)	Retén seguridad Retainer	19	26/6642-1 (AR.96613, AR.52785, RE.23382)	Válvula Valve	29	26/6615-1 (R.27174)	Arandela Washer

Las referencias originales tienen un propósito identificativo.
Nuestras piezas no son originales.

Part numbers are quoted for reference purposes only.
Our parts and accessories are not original.



"THE RELIABLE SERVICE"



BOMBAS HIDRÁULICAS
HYDRAULIC PUMPS



Tractores Tractors	Fig. Fig.	Bomba Pump	Bosch N°	OEM N°	Flujo c.c. Flow cc	Comentarios Remarks
500, 510, 700, 710	1	69/565-4 (BH415.311)	0.510.415.311	AL.10681, AL.16301, AL.37753	8	Sin dirección asistida Less power steering
		69/565-5 (BH515.310)	0.510.515.310	AL.15149	11	Con dirección asistida With power steering
		69/565-6 (BH615.314)	0.510.615.314	AL.16963, AL.37752	16	
3100, 3200, 3300, 3400 3200X, 3300X, 3400X	2	69/565-7 (BH765.347)	0.510.765.347	RT.7700036171	22,5 + 11	

TUBERÍAS DEL HIDRÁULICO
HYDRAULIC PIPES

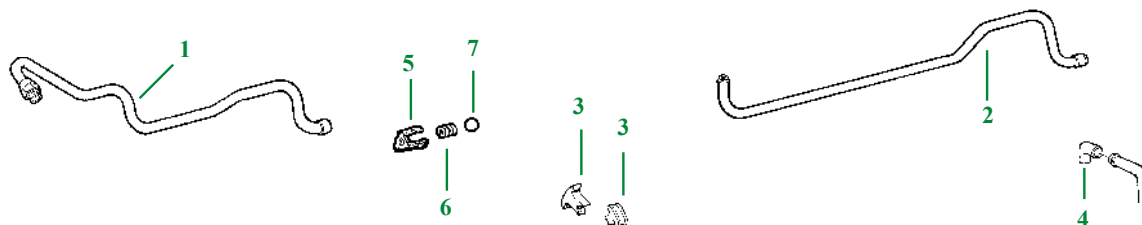


Fig.	1	2	3	4	5	6	7
Tractores Tractors	Tubo Pipe		Fijación Clamp	Manguito Hose	Retén seguridad Retainer	Muelle Spring	Bola Ball
1830, 2020, 2030, 2120, 2130	26/6627-3 (AT.22199, AL.30013)	26/6627-4 (AT.22143, AL.28957)	26/6627-3A (R.49076)	26/6628-1 (T.22960, L.35844)	26/6626-1 (R.39076)	26/6625-1 (R.39078)	26/418-2 (D.2361R) 1/2"
830, 930, 1020, 1030, 1120, 1130, 1630, 3030, 3120, 3130							
840, 940, 1040, 1140, 1350, 1550, 1630, 1750, 1850, 1950, 2250, 2450, 2650, 2850							
3150, 3340, 3350, 3640, 3650							

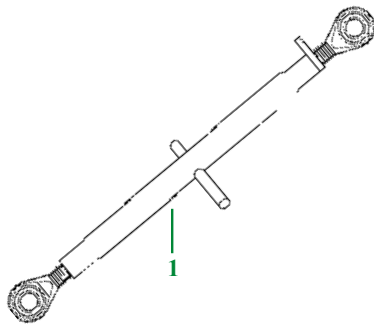
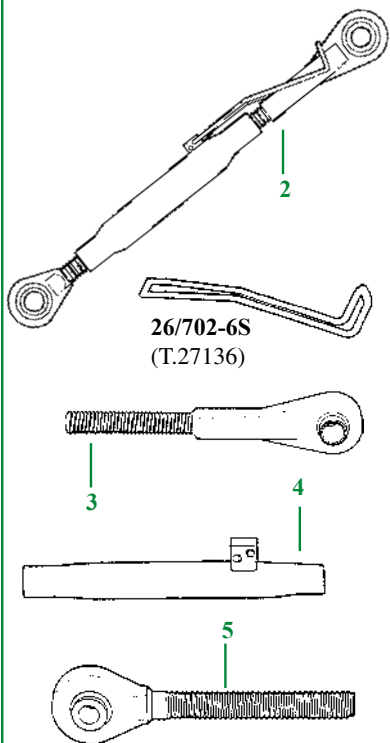
Las referencias originales tienen un propósito identificativo.
Nuestras piezas no son originales.

Part numbers are quoted for reference purposes only.
Our parts and accessories are not original.

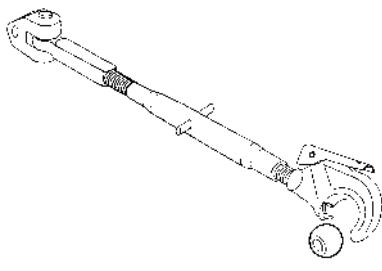


TERCEROS PUNTOS
TOP LINKS

830, 920, 930, 940, 1020, 1030, 1040, 1120, 1130, 1140, 1550, 1630, 1640, 1750, 1830, 1840, 1850, 1950, 1950N, 2020, 2030, 2040, 2040S, 2120, 2130, 2140, 2250, 2450, 2650, 2850

	<p>26/1101-10 (JD.4182K)</p> <p>1</p>	<p>Tercer punto (versión económica) L. : 570/860mm. Rosca : 1 1/8 UNC Rótulas: Ø 20mm lateral tractor y Ø 25.4 implemento lateral <i>Economy top link. Lg. : 570/860mm. Thread : 1 1/8 UNC Ball ends : Ø 20mm tractor side and Ø 1" implement side</i></p>
	<p>26/1101-11 (JD.4183K)</p> <p>1</p>	<p>Tercer punto (versión económica) L. : 670/950mm. Rosca : 1 1/8 UNC Rótulas: Ø 20mm lateral tractor y Ø 25.4 implemento lateral <i>Economy top link. Lg. : 670/950mm. Thread : 1 1/8 UNC Ball ends : Ø 20mm tractor side and Ø 1" implement side</i></p>
	<p>26/700-13 (AL.39170)</p> <p>2</p>	<p>Tercer punto normal L. : 545/790mm. Rosca : 1 1/8 UNC Rótulas: Ø 20mm lateral tractor y Ø 25.4 implemento lateral <i>Regular top link. Lg. : 545/790mm. Thread : 1 1/8 UNC Ball ends : Ø 20mm tractor side and Ø 1" implement side</i></p>
	<p>26/700-15 (JD.18135/L, AL.67290)</p> <p>2</p>	<p>Tercer punto extra-largo L. : 645/890mm. Rosca : 1 1/8 UNC Rótulas: Ø 20mm lateral tractor y Ø 25.4 implemento lateral <i>Increased lenght top link Lg. : 645/890mm. Thread : 1 1/8 UNC Ball ends : Ø 20mm tractor side and Ø 1" implement side</i></p>
	<p>26/701-6 (AL.18136, AL.39171)</p> <p>3</p>	<p>Rótula drcha. Ø 25.4mm en implemento lateral <i>Ball end RH Ø 1" implement side</i></p>
	<p>26/702-6 (AL.18135)</p> <p>4</p>	<p>Tubo para 26/700-13 L. : 330mm. Rosca : 1 1/8 UNC <i>Tube for 26/700-13. Lg. : 330mm. Thread : 1 1/8 UNC</i></p>
	<p>26/703-6 (AT.23759, AL.39172)</p> <p>5</p>	<p>Rótula izq. Ø 20 mm lateral tractor <i>Ball end LH Ø 20mm tractor side</i></p>

2250, 2450, 2650, 2850, ...

	<p>26/700-16 (26/31208HD, AL.68208, AL.69586)</p>	<p>Tercer punto reforzado Charnela: lado tractor Ø 20mm. Largo: 52mm Enganche con bola (Cat 2/3) para implementos laterales L. : 610/880mm. Rosca : 36 x 3mm <i>Heavy duty top link Ø 20mm toggle joint on tractor side. Width : 52mm Hook with ball joint (Cat. 2/3) on implement side Lg. : 610/880mm. Thread : 36 x 3mm</i></p>
---	--	--

Las referencias originales tienen un propósito identificativo.
Nuestras piezas no son originales.

Part numbers are quoted for reference purposes only.
Our parts and accessories are not original.



TERCEROS PUNTOS
TOP LINKS

3030, 3040, 3050, 3120, 3130, 3140, 3350

	<p>26/700-14 (AT.31303)</p> <p>1</p>	<p>Tercer punto con enganche automático (sin bola) L. : 560/820mm. Rosca: 1 1/4" UNC <i>Top link with hook (less ball)</i> Lg. : 560/820mm. Thread : 1 1/4" UNC</p>
	<p>26/700-14E (26/31207EC)</p> <p>2</p>	<p>Tercer punto (versión económica) Rótula: Ø 1" (Cat. 2) lateral del tractor L. : 560/820mm. Rosca: 1 1/4" UNC <i>Economy top link</i> Ball joint : Ø 1" (Cat. 2) on the tractor side Lg. : 550/820mm. Thread : 1 1/4" UNC</p>
	<p>26/701-7 (T.32196)</p> <p>3</p>	<p>Enganche (drcha.) para 26/700-14 (sin bola). Rosca: 1 1/4" <i>Hook (RH) for 26/700-14 (less ball). Thread : 1 1/4" UNC</i></p>
	<p>26/709-1 (ATX.25R, F.2681R)</p> <p>4</p>	<p>Bola para 26/700-14. Ø 25,4mm <i>Ball for 26/700-14. Ø 25,4mm</i></p>
	<p>26/703-7 (T.32078)</p> <p>5</p>	<p>Acoplamiento (drcha.), rosca: 1 1/4" UNC <i>Link (LH). Thread : 1 1/4" UNC</i></p>
	<p>26/707-1 (T.28353)</p> <p>6</p>	<p>Eslabón <i>Knuckle</i></p>
	<p>26/704-9 (AR.3769R, L.28281)</p> <p>7</p>	<p>Pasador <i>Pin</i></p>
	<p>26/700-14S (T.32077)</p> <p>8</p>	<p>Muelle con enganche <i>Spring clip</i></p>

3640, 3650, 4040, 4240, series "6000", "55" Series USA

	<p>26/700-17 (ATX.250/004, AL.39353, AL.59997)</p>	<p>Tercer punto reforzado Charnela: lado tractor Ø 31,8mm. Anchura: 52mm. Enganche con bola Ø 1 1/4" (Cat 3) para implementos laterales. L. : 590/850mm. Rosca : 36 x 3mm <i>Heavy duty top link</i> Ø 1 1/4" toggle joint on tractor side. Width : 52mm Hook with ball joint Ø 1 1/4" (Cat. 3) on implement side Lg. : 590/850mm. Thread : 36 x 3mm</p>
	<p>26/700-17E (ATX.250/008)</p>	<p>Tercer punto (versión económica) Charnela: lado tractor Ø 31,8mm. Largo: 52mm. Rótula: Ø 31.8 mm en el implemento lateral L. : 540/800mm. Rosca : 36 x 3mm <i>Economy top link</i> Ø 31,8mm (Cat. 3) toggle joint on tractor side Width : 52mm Tie rod : Ø 31,8mm on implement side Lg. : 540/800mm. Thread : 36 x 3mm</p>

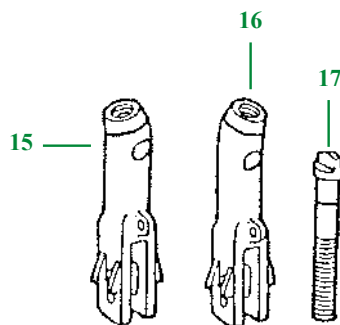
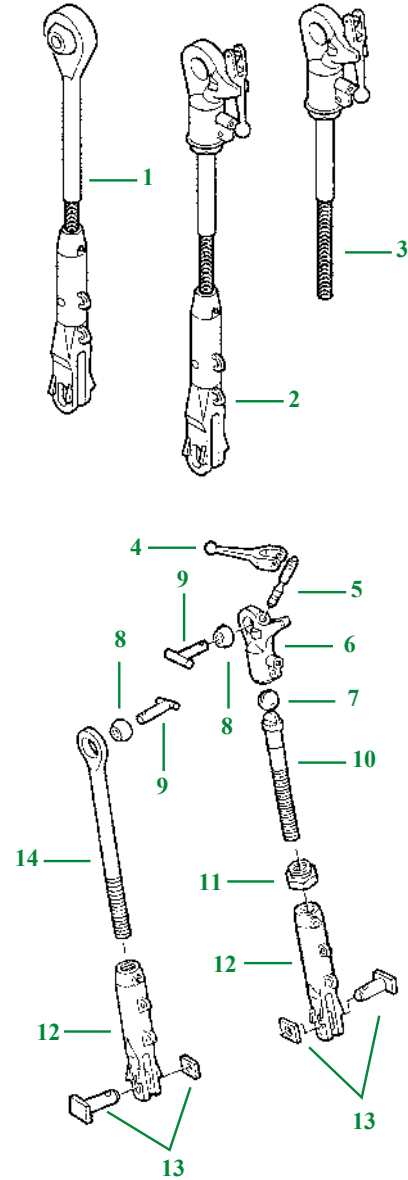
Las referencias originales tienen un propósito identificativo.
Nuestras piezas no son originales.

Part numbers are quoted for reference purposes only.
Our parts and accessories are not original.



**HORQUILLA NIVELADORA
LEVELLING ROD ASSEMBLIES**

Tractores Tractors	Fig. Fig.	Ref. Ref.	Descripción Description
820, 830, 840, 920, 930, 940, 1020, 1030, 1040, 1120, 1130, 1140, 1350, 1550, 1630, 1640, 1750, 1830, 1840, 1850, 1950, 2020, 2030, 2040, 2040S, 2120, 2130, 2140 (Sin brazos telescopicos inferiores with non telescopic lower arms)	1	26/760-24	Rótula completa izd. Sustitución económica Levelling rod ass. LH Economy replacement
	2	26/760-23	Rótula completa drcha Sustitución económica Levelling rod ass. RH Economy replacement
	3	26/760-23A	Mitad caja niveladora completa (dcha) Sustitución económica Half levelling box ass. RH Economy replacement
	4	26/768-3 (T.21559)	Asidor Handle
	5	26/764-2 (T.21558)	Eje Shaft
	6	26/766-4 (L.28374, L.33535)	Tapa carter Housing
	7	26/767-3 (T.22399)	Bola Ball
	8	26/757-3 (T.21901)	
	9	26/758-5 (AT.21754)	Bulón Ø 19mm Pin Ø 3/4"
	10	26/761-13 (T.25823)	Rótula Lg. : 408mm Ø 7/8" Rod Lg. : 408mm Ø 7/8"
	11	26/756-1 (T.21758)	Tuerca Nut
	12	26/762-200 (R.48595)	Horquilla Fork
	13	26/758-4 (AR.55695, T.22714 + 2x T.21759)	Pasador + 2 platos Pin + 2 plates
	14	26/759-15 (L.28372, T.25822)	Rótula Lg. : 470mm Ø 7/8" Rod Lg. : 470mm Ø 7/8"



Tractores Tractors	Fig. Fig.	Ref. Ref.	Descripción Description
Tractores estrechos Narrow tractors	15	26/762-16	Horquilla (izq.) Fork LH
	16	26/762-15	Horquilla (drcha.) Fork RH
	17	26/761-16 (T.30274)	Rótula Lg. : 203mm Ø 24mm Rod Lg. : 203mm Ø 24mm

Otras piezas: ítems 4, 5, 6, 7, 8, 9, 11, 13 acoplamiento estándar
Other parts : see items 4, 5, 6, 7, 8, 9, 11, 13 of the standard linkage

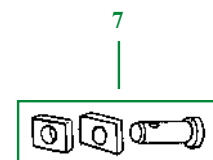
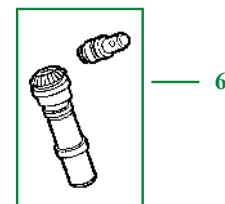
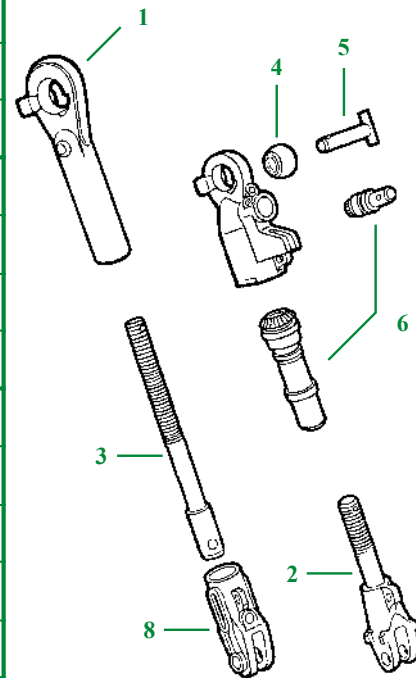
Las referencias originales tienen un propósito identificativo.
Nuestras piezas no son originales.

Part numbers are quoted for reference purposes only.
Our parts and accessories are not original.



**HORQUILLA NIVELADORA
LEVELLING ROD ASSEMBLIES**

Tracteurs Tractors	Fig. Fig.	Ref. Ref.	Descripción Description
Rosca/Thread 7/8" 940, 1030, 1130, 1140, 1550, 1630, 1640, 1750, 1850, 1950, 2030, 2040, 2040S, 2140, 2250, 2450, 2650, 2850 (Con cabina MC1 o SG2 with MC1 or SG2 cab)	1	26/759-17 (L.33539)	Acople elevador Lift link end
	4	26/757-3 (T.21901)	Bola Ball
	5	26/758-5 (AT.21754)	Bulón Pin
	7	26/758-4 (AR.55695)	Bulón + 2 platos Pin + 2 plates
Rosca/Thread 1 1/8" 2040S, 2140, 2650, 2850 Sin cabina JD original Less original JD cab	1	26/759-18 (L.42056)	Acople elevador Lift link end
	4	26/757-3 (T.21901)	Bola Ball
	5	26/758-5 (AT.21754)	Bulón Pin
	7	26/758-4 (AR.55695)	Bulón + 2 platos Pin + 2 plates
Rosca/Thread 1" 3120, 3130, 3140, 3340 Sin cabina JD original Less original JD cab	1	26/759-16 (L.33536, T.31133)	Acople elevador Lift link end
	2	26/762-13 (AT.26424)	Horquilla Izq o drcha Fork LH or RH
	4	26/757-3 (T.21901)	Bola Ball
	5	26/758-5 (AT.21754)	Bulón Pin
	7	26/758-4 (AR.55695)	Bulón + 2 platos Pin + 2 plates
Rosca/Thread 1 1/4" 3030, 3040, 3050, 3130, 3140, 3150, 3340, 3350 Sin cabina JD original Less original JD cab	1	26/759-19 (L.33534)	Acople elevador Lift link end
	2	26/762-12 (AL.19647)	Horquilla Fork
	3	26/761-14 (AL.23422)	Eje Shaft
	4	26/757-3 (T.21901)	Bola Ball
	5	26/758-5 (AT.21754)	Bulón Pin
	6	26/767-2K (L.28273, AL.33494)	Juego de engranajes Gear set
	7	26/758-4 (AR.55695)	Bulón + 2 platos Pin + 2 plates
	8	26/762-14 (L.28930)	Horquilla Fork
Rosca/Thread 1 1/4" 3050, 3350, 3640, 3650 Sin cabina JD original Less original JD cab	1	26/759-20 (L.41144)	Acople elevador Lift link end
	3	26/761-17 (L.55789)	Eje Shaft
	4	26/757-3 (T.21901)	Bola Ball
	5	26/758-5 (AT.21754)	Bulón Pin
	7	26/758-4 (AR.55695)	Bulón + 2 platos Pin + 2 plates



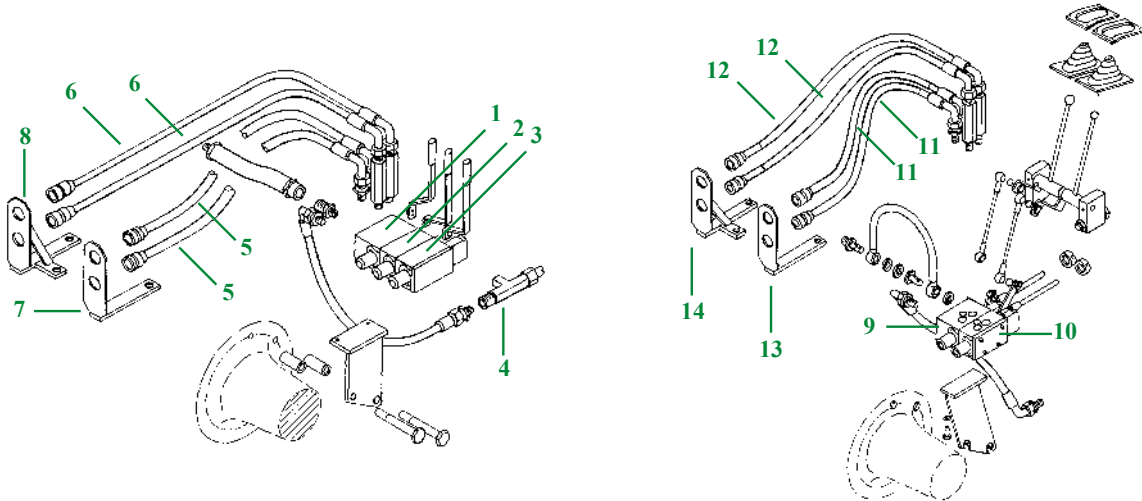
Las referencias originales tienen un propósito identificativo.
Nuestras piezas no son originales.

Part numbers are quoted for reference purposes only.
Our parts and accessories are not original.



TUBERÍAS HIDRÁULICAS "TILL"
"TILL" HYDRAULIC VALVES

Estas válvulas están especialmente diseñadas para tractores "John Deere" con sistema hidráulico con centro cerrado. Pueden ser fácilmente cambiadas de la posición simple efecto a doble efecto posición "A" y posición "A" y "B" respectivamente). Las palancas de control pueden ser colocadas en posición de retorno automático o en 3 posiciones diferentes. Estas válvulas están preparadas para ser montadas en el cuerpo del tractor (posición interface). Estos robustos y bien sellados distribuidores consisten en una válvula básica. El número de elementos puede variar de 1 a 3.



These valves are specially tailored to suit the "John Deere" closed center hydraulic system. They can be easily switched to the single acting position (Port "A") or to the double acting position (Port "A" and "B"). The operating levers can be quickly displayed on automatic return or in 3 positions range. These valves are ready to fit on the interface position on the tractor body. They are robust and fit perfectly. Two additional slices can be fitted on.

Fig.	1	2	3	4	5	6	7	8
Tractores Tractors	Válvula básica Basic valve	Parte complementaria Add. slice		Adaptador Adapter	Acople y juego de tuberías Coupler & pipe assembly		Fijación Bracket	
820, 830, 920, 930 Con sistema hidráulico con cierre centralizado <i>With hydr. closed center system,</i> 1020, 1030, 1120, 1130, 1630, 2020, 2030, 2120, 2130, 3130	26/7600-1 (JD.128) (A)	26/7601-1 (JD.128Z1) (B)	26/7602-1 (JD.128Z2) (B)	26/7603-1 (JD.136A) JIC 3/4"	26/7604-1 (JD.130)	26/7605-1 (JD.131)	26/7606-1 (JD.133)	26/7607-1 (JD.134)
840, 3140				26/7603-2 (JD.136B) JIC 7/8"				

Fig.	9	10	11	12	13	14
Tracteurs Tractors	Válvula básica Basic valve	Parte complementaria Add. slice		Acople y juego de tuberías Coupler & pipe assembly	Fijación Bracket	
1640, 2030, 2040, 2130, 2140 Cabina P.P.I / <i>P.P.I. cab</i>	26/7600-2 (JD.129)(A)	26/7601-2 (JD.129Z3) (B)		26/7604-2 (JD.234)	26/7605-2 (JD.235)	26/7606-1 (JD.133)
3030, 3040, 3130, 3140	26/7600-3 (JD.132)(A)					26/7607-1 (JD.134)
1640, 2040, 2140 & serie 50 Cabina SG.2 / <i>SG.2 cab</i>	26/7600-4 (JD.181)(A)					

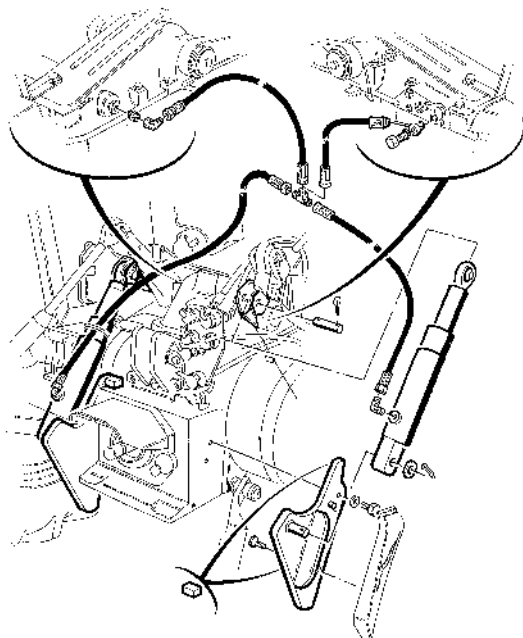
- (A) Con kit adaptador / *With adapter set*
- (B) No se adapta a las válvulas originales / *Does not fit the OEM distributors*

Las referencias originales tienen un propósito identificativo.
Nuestras piezas no son originales.

Part numbers are quoted for reference purposes only.
Our parts and accessories are not original.



ELEVADOR HIDRÁULICO
HYDRAULIC LIFT



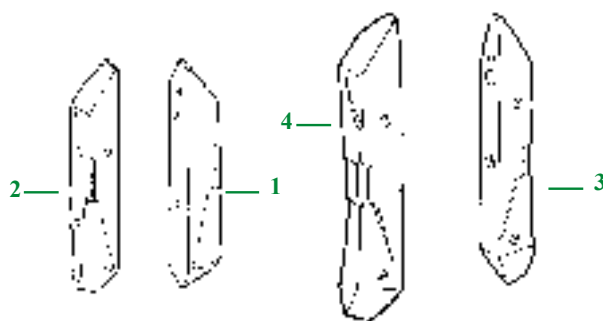
JUEGO ADICIONAL PARA EL LEVANTE
HIDRÁULICO (RAM)
ADDITIONAL HYD. LIFT RAM KITS

- 26/770-1** 1020, 1030, 1040, 1120, 1130, 1140, 1630, 1640, 1750, 1850, 2020, 2030, 2040, 2040S, 2120, 2130, 2140, 2250, 2450, 2650, 2850
- 26/770-2** 3030, 3040, 3050, 3130, 3140

Para algunos modelos recientes, no hay agujero para la colocación del hidráulico y es necesario adaptarlo (consultarnos).

On some recent models, there is no hole for hydraulic fitment and it is necessary to make an adaptation (Please ask).

BARRAS ESTABILIZADORAS
SWAY BLOCKS



- | | | | |
|----------|------------------------------|----|--|
| 1 | 26/771-1
(T.30276) | RH | 820, 830, 940, 1020, 1030, 1040, 1120, 1130, 1140, 1350, 1630, 1640, 1750, 1830, 1850, 1950, 2020, 2040, 2040S, 2120, 2130, 2240, 2250, 2350, 2550, 2750, 2850 |
| 2 | 26/771-2
(T.30277) | LH | 820, 830, 940, 1020, 1030, 1040, 1120, 1130, 1140, 1350, 1630, 1640, 1750, 1830, 1850, 1950, 2020, 2040, 2040S, 2120, 2130, 2240, 2250, 2350, 2550, 2750, 2850 |
| 3 | 26/771-3
(R.54472) | RH | 2840, 2940, 2950, 3030, 3050 (1er Versión / 1 st version), 3130, 3350 (1er Versión / 1 st version) |
| 4 | 26/771-4
(R.54473) | LH | 2840, 2940, 2950, 3030, 3050 (1er Versión / 1 st version), 3130, 3350 (1er Versión / 1 st version) |

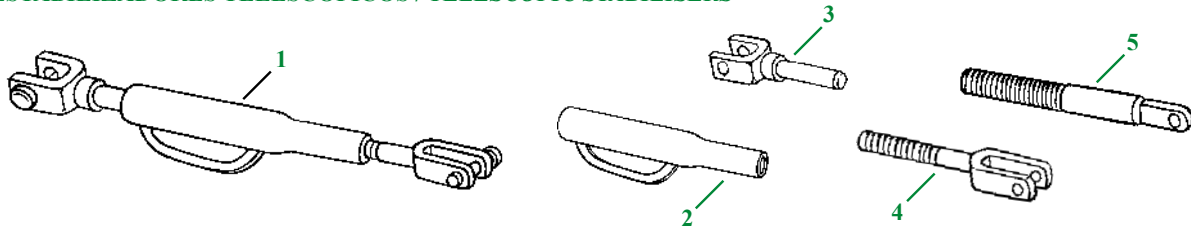
Las referencias originales tienen un propósito identificativo.
Nuestras piezas no son originales.

Part numbers are quoted for reference purposes only.
Our parts and accessories are not original.



ESTABILIZADORES
STABILISERS

ESTABILIZADORES TELESCÓPICOS / TELESCOPIC STABILISERS



Solo tractores españoles/ Spanish tractors only

Fig.	1	2	3	4	5
Tractores Tractors	Estabilizador Stabiliser	Tubo Tube	Yugo Yoke		Rótula Rod
940, 1040, 1140, 1640, 1840, 1850, 1950, 2040, 2040S, 2140, 2450, 2650, 2850	26/740-13 (DE.16389)	26/744-5 (DE.16167) Lg. : 290mm	26/743-7 (DE.15972)	26/746-4 (DE.16390)	26/746-6 (EC.16391)
3140, 3340, 3150, 3350	26/740-14 (DE.15970)	26/744-6 (DE.15971) Lg. : 505mm		26/746-5 (DE.15973)	

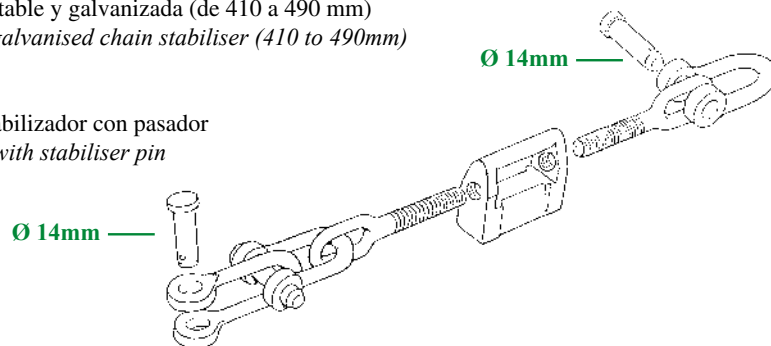
CADENA ESTABILIZADORA / CHAIN STABILISER

26/740-10
(L.62236+L.31089
+L.62237+L.62240)

Cadena ajustable y galvanizada (de 410 a 490 mm)
Adjustable galvanised chain stabiliser (410 to 490mm)

26/747-3
(L.62238+L.62239)

Eslabón estabilizador con pasador
'D' shackle with stabiliser pin

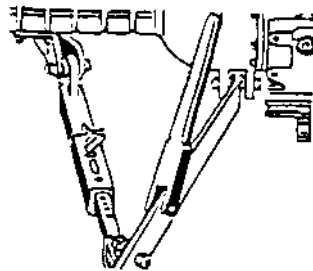


830, 840, 930, 940, 1030, 1040, 1120, 1130, 1140, 1350, 1550, 1630, 1640, 1750, 1840, 1850, 1950, 2030, 2040, 2130, 2140, 2250, 2450, 2650, 2850, 3030, 3040, 3050, 3130, 3140, 3150, 3340, 3350, 3640

ESTABILIZADORES RÍGIDOS Y AJUSTABLES / RIGID & ADJUSTABLE STABILISER PAIRS

26/740-12K
(Ex : JD.15818K2)
4 cil./cyl. : 1630, 1640, 1830, 1840, 2040, 2140

26/740-15K
(Ex : JD.15819K2)
6 cil./cyl. : 3040, 3140, 4040, 4240, 4440



Con brazos telescópicos
2 varillas + soportes drcha. y izq.

With telescopic arms
2 rods + RH & LH brackets

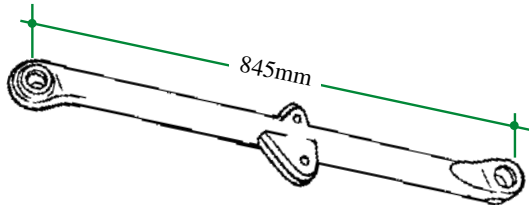
Las referencias originales tienen un propósito identificativo.
Nuestras piezas no son originales.

Part numbers are quoted for reference purposes only.
Our parts and accessories are not original.



ACOPLAMIENTOS
LINKAGE

BRAZOS DE ELEVACIÓN
LIFTING ARMS



830, 930, 1020, 1030, 1120, 1130, 1630, 2020

26/712-15 Brazo (drcha.) / Arm RH
(AT.23657, AL.18250,
DE.16870, AL.26684)

26/712-16 Brazo (izq.) / Arm LH
(AT.23659, AL.18252,
DE.16871, AL.26685)

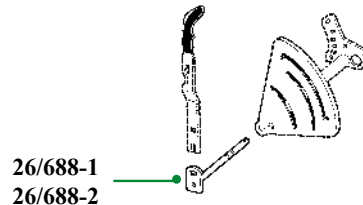
RÓTULA FINAL
WELD-ON END



26/715-5
(26/R.28EF)

Lateral del tractor 1 1/8". Largo: 35mm.
Tractor side Ø 1 1/8". Width : 35mm

EJES DE CONTROL
CONTROL LEVER SHAFT



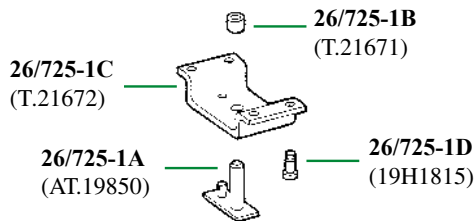
26/688-1
(AT.19838)

L. : 170mm
1020, 1030, 1120, 1130,
1630, 2020, 2120

26/688-2
(AL.27221, AL.60565)

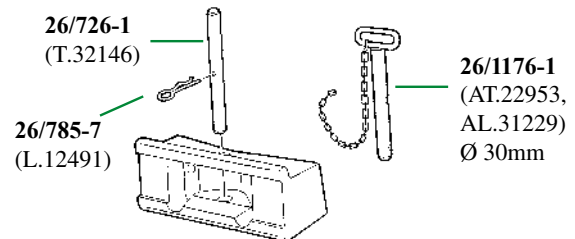
L. : 287mm
940, 1040, 1140, 1640,
1830, 2030, 2040, 2040S, 2130,
2140, 3030, 3130, 3140, 3340

BARRAS PERFORADAS
SWINGING DRAWBAR



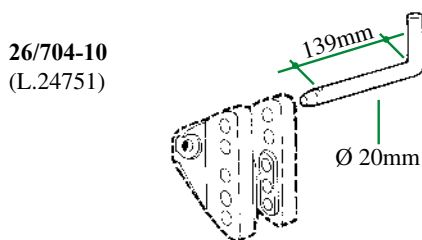
820, 830, 920, 930, 1020, 1030, 1120, 1130, 1630, 1830, 2020,
2030, 2120, 2130

CONTRAPESO
FRONT FRAME WEIGHTS



820, 830, 840, 920, 930, 940, 1020, 1030, 1040, 1120, 1130,
1140, 1350, 1550, 1630, 1640, 1750, 1830, 1840, 1850, 1950,
2020, 2030, 2040, 2120, 2130, 2140, 2250, 2450, 2650, 2850,
3030, 3040, 3050, 3120, 3130, 3140, 3150, 3340, 3350, 3640,
3650, 4350

PASADOR TERCER PUNTO
TOP LINK PIN



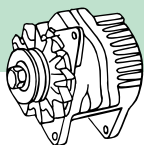
26/704-10
(L.24751)

Las referencias originales tienen un propósito identificativo.
Nuestras piezas no son originales.

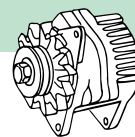
Part numbers are quoted for reference purposes only.
Our parts and accessories are not original.



**ALTERNADORES
ALTERNATORS**



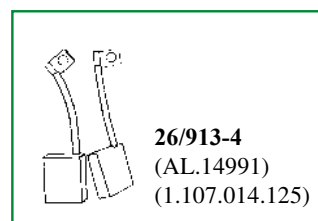
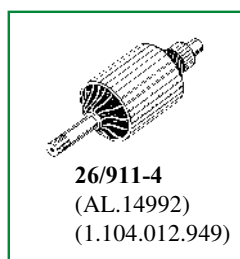
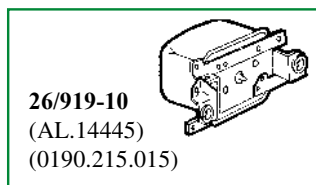
(W) Conexión eléctrica / *Electrical connection*



Tractores <i>Tractors</i>	Alternador <i>Alternator</i>	Capacidad <i>Capacity</i>	Comentarios <i>Comment</i>	OEM	Regulador <i>Control box</i>
Modelos con regulador separado <i>Models with separate regulator</i>	62/920-18 (510.E.385)	14V., 35 Amp.	VALEO	AZ.23575	62/919-15 Separado/ <i>Separate</i> (205/01001)
820, 920, 1020, 1120, 2020, 2120, 3120, 830, 930, 1030, 1130, 1630, 2030, 2130, 3030, 3130	62/920-17 (15/1995)	14V., 33 Amp.		AL.36100	62/919-16 (205/01007)
940, 1040, 1140, 1640, 1840, 2040, 2140, 3040, 3140, 1550, 1750, 1850, 1950, 2250, 2450, 2650, 2850, 3050, 3350, 3650	62/920-16 (15/1453) (W)	14V., 55 Amp.	Correa : 17mm <i>Belt : 17 mm</i>	AL.35998 AL.67175 AL.81436	62/919-17 (205/04034)
	62/920-19 (15/1498)	14V., 80 Amp.		AL.81437	62/919-18 (205/01024)
3100, 3200, 3200X, 3300, 3300X, 3400, 3400X	62/920-21 (15/1668) (W)	14V., 95 Amp.		RT.7700036535	
6100, 6200, 6300, 6400, 6500, 6800, 6900				AL.78690	

**REPUESTOS PARA GENERADORES BOSCH
MISCELLANEOUS PARTS FOR "BOSCH" GENERATOR**

1020, 1120, 2020, 2120



**REPUESTOS PARA ALTERNADORES BOSCH
MISCELLANEOUS PARTS FOR "BOSCH" ALTERNATORS**

**PORTA ESCOBILLAS Y ESCOBILLAS
BRUSH HOLDER WITH BRUSHES**

26/923-3
(AL.27372)

Para alternadores 28, 33 & 55 Amp.
For alternators 28, 33 & 55 Amp.

Para más información ver la gama completa en la sección 1 del catálogo.
For further details, see the complete range in part 1 of the catalogue.

**REGULADORES
CONTROL BOX**

26/919-11 28 Amp.
(AT.31413)

26/919-12 33 Amp.
(AL.36101)

62/919-14 55 Amp.
(AL.35999, AL.65077)

26/919-13 Neumáticos 14V. *Typ*
(0192.052.005) Incorporado / *incorporated*

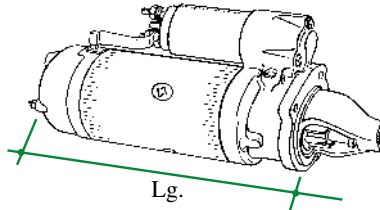
Las referencias originales tienen un propósito identificativo.
Nuestras piezas no son originales.

*Part numbers are quoted for reference purposes only.
Our parts and accessories are not original.*



MOTORES DE ARRANQUE
STARTER MOTORS

Transmisión : 11Z = 11 dientes
Fijación : Número de agujeros
R: Montaje drcha.
L: Montaje izq.



Drive : 11Z = 11 teeth
Fitting : Numbers of holes
R : RH mounting
L : LH mounting

Tractores Tractors	Ref. n° Order n°	Transmisión Drive ass.	Fijación Fitting	Longitud sobresaliente Prominent length	Capacidad Capacity	OEM
Series 10, 20, 30, 40, 50 (Europe)	62/930-25 (A) (15/06804JD)	10Z	2R	250	12 V., 3,5 KW	AR.70436
	62/930-86 (B) (15/70436AR)			255	12V., 3 KW	
6506, 6510, 6600, 6610, 6800, 6810, 6900, 6910,	62/930-58		3G	240	12 V., 3,1 KW	AL.81154 AL.70852

(A) Este starter no se puede utilizar en algunos tractores con cabina o con carga frontal porque el interruptor del solenoide sobresale 3cm en comparación con el BOSCH
This starter is not usable on some tractors with cab or with front loader because the solenoid switch is 3 cm exterior tilted compared to BOSCH starter

(B) ISKRA

REPUESTOS PARA MOTORES DE ARRANQUE BOSCH
SPARE PARTS FOR "BOSCH" STARTER MOTORS

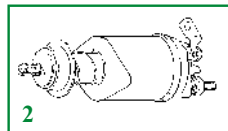
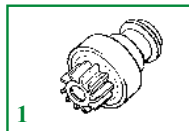


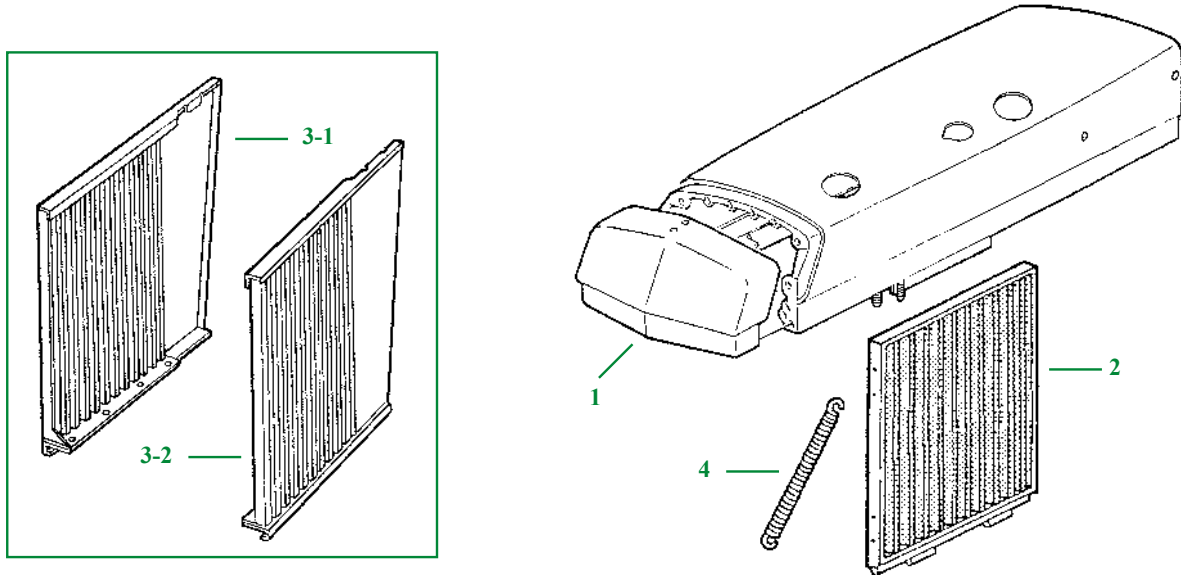
Fig.	1	2	3	4	
Tractores Tractors	Motor de arranque Starter motor	Transmisión Drive ass.	Solenoide Solenoid	Escobillas Brushes	Inducido Armature
Todos los tractores 3, 4, 6 cil. Europa. Series 20 & 30 <i>All tractors 3, 4, 6 cyl. Europe. Series 20 & 30</i>	AT.23401 (0.001.359.016) (⇨ 152929)	26/939-21 (AT.25910) (2.006.209.201/306)	26/940-18 (AL.19192) (0.331.400.023/ 401.001/401.051) Fijación 2 puntos/Bolts	26/933-8 (AZ.14507) (2.007.014.011/052)	26/931-11 (AZ.14506) (2.004.004.061, 2.007.010.007)
Todos los tractores 3, 4, 6 cil. Europa. Series 20, 30 & 40 <i>All tractors 3, 4, 6 cyl. Europe. Series 20, 30 & 40</i>	AR.70436 (0.001.359.090) (152930 ⇨)	26/939-20 (AL.25275) (2.006.209.414/444)	26/940-19 (AL.25268, AL.55046) (0.331.402.004) Fijación 3 puntos/Bolts	26/933-9 (AL.25271) (2007.014.052)	26/931-12 (AL.25274) (2.004.004.112)
2250, 2450, 2650, 2650N, 2850	AL.41247, AL.62690 (0.001.362.312, 0.001.362.316)			26/933-10 (AL.55047)	

Las referencias originales tienen un propósito identificativo.
Nuestras piezas no son originales.

Part numbers are quoted for reference purposes only.
Our parts and accessories are not original.



PIEZAS DE CARROCERÍA
BODY PARTS



Tractores Tractors	Fig. Fig.	Ref. Ref.	OEM	Descripción Description
830, 930, 1030, 1130, 1630, 1830, 2030, 2130	1	26/838-200	R.59961	Parte frontal del capó <i>Bonnet front part</i>
3030, 3130		26/838-1	R.60089	
840, 940, 1040, 1140, 1550, 1640, 1750, 1840, 1850, 1950, 2040, 2040S, 3040, 3050, 3140, 3350, 3650, 4040S, 4240S		26/838-201	R.52362	
2040 (A), 2140, 2250, 2450, 2650, 2650N, 2850		26/838-202	L.34555	
1020, 1030, 1120, 1130, 2020	2	26/842-4	AR.72949 AT.19981	Calandra 425 x 355 mm <i>Screen 425 x 355mm</i>
1630, 1830, 2020, 2030, 2120, 2130		26/842-5	AR.72950 AT.19980	Calandra 425 x 425mm <i>Screen 425 x 425mm</i>
1640, 2040, 2040S		26/842-6	AL.31252 AL.37083 AL.56766	Calandra <i>Screen</i>
2140		26/842-7	AL.31251 AL.37082 AL.56765	Calandra 493 x 430mm <i>Screen 493 x 430mm</i>
3030, 3120, 3130	3-1	26/839-203	AT.26471	Calandra drcha. <i>Screen RH</i>
	3-2	26/839-204	AT.26472	Calandra Izq. <i>Screen LH</i>
820, 830, 840, 920, 930, 940, 1020, 1030, 1040, 1120, 1130, 1140, 1350, 1550, 1630, 1640, 1750, 1830, 1840, 1850, 2020, 2030, 2040, 2120, 2130, 2140, 2450, 2650, 2850, 3030, 3040, 3120, 3130, 3140, 3340, 3640	4	26/837-1	R.26858 L.40645	Muelle <i>Spring</i>

(A) Con elevación reforzada / *With heavy duty lift*

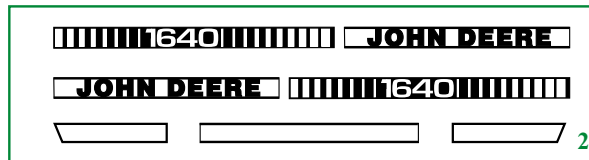
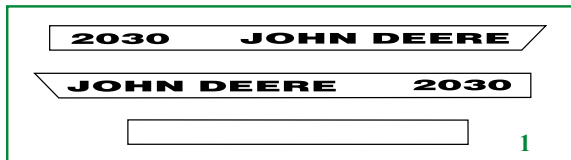
Las referencias originales tienen un propósito identificativo.
Nuestras piezas no son originales.

Part numbers are quoted for reference purposes only.
Our parts and accessories are not original.



MEDALLÓN Y JUEGO CALCAS
MEDALLION & DECAL SETS

JUEGO CALCAS / DECAL SETS



Se incluyen adhesivos delanteros y laterales drcha. y izq. / *Included front, LH and RH side decals*

Tractor Tractor	Fig. Fig.	Ref. Ref.	Tractor Tractor	Fig. Fig.	Ref. Ref.	Tractor Tractor	Fig. Fig.	Ref. Ref.	Tractor Tractor	Fig. Fig.	Ref. Ref.
940	2	26/860-258	1750	2	26/860-269	2040S	2	26/860-264	3030	1	26/860-256
1030	1	26/860-250	1830	1	26/860-253	2130	1	26/860-255	3040	2	26/860-266
1040	2	26/860-259	1840	2	26/860-262	2140	2	26/860-265	3050	2	26/860-276
1130	1	26/860-251	1850	2	26/860-270	2250	2	26/860-272	3130	1	26/860-257
1140	2	26/860-260	1950	2	26/860-271	2450	2	26/860-273	3140	2	26/860-267
1550	2	26/860-268	2030	1	26/860-254	2650	2	26/860-274	3350	2	26/860-277
1630	1	26/860-252	2040	2	26/860-263	2850	2	26/860-275	3650	2	26/860-278
1640	2	26/860-261									

MEDALLÓN DELANTERO
FRONT MEDALLION



26/863-14
(R.59991, R.67027)

830, 840, 930, 940, 1030, 1040, 1130,
1140, 1550, 1630, 1640, 1750, 1830,
1840, 1850, 1950, 2030, 2040, 2040S,
2130, 2140, 2250, 2450, 2650, 2850,
3030, 3040, 3050, 3130, 3140, 3350,
3640, 3650, 4040S, 4240S, 4640, 4840

PINTURA DE CALIDAD A UN PRECIO ATRACTIVO
QUALITY PAINT AT AN ATTRACTIVE PRICE



64/3102-3 Verde / Green

64/3102-38 Amarillo
Yellow

Ver la gama completa en la primera parte del catálogo.

See the complete range in part 1 of the catalogue.

LA MEJOR
PINTURA

LAQUE AMERICAINE

THE BEST PAINT ON
THE MARKET



64/LA.3050/L Amarillo / Yellow
64/LA.3050/SP Amarillo / Yellow
64/LA.4063/L Verde / Green
64/LA.4063/SP Verde / Green
64/LA.3059/L Amarillo claro- Nueva versión / Light yellow - New version
64/LA.3059/SP Amarillo claro- Nueva versión / Light yellow - New version
64/LA.4102/L Verde- versión nueva / Green - New version
64/LA.4102/SP Verde- versión nueva / Green - New version

(1 litro / 1 liter)
(Spray)
(1 litro / 1 liter)
(Spray)
(1 litro / 1 liter)
(Spray)
(1 litro / 1 liter)
(Spray)



Las referencias originales tienen un propósito identificativo.
Nuestras piezas no son originales.

Part numbers are quoted for reference purposes only.
Our parts and accessories are not original.



ESCOBILLAS DEL LIMPIA-PARABRISAS
WIPER BLADES



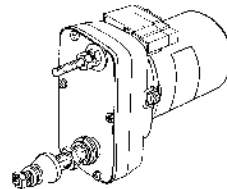
Tractores <i>Tractors</i>	Cabina <i>Cab</i>	Parabrisas frontal <i>Front</i>		Trasero <i>Rear</i>	
830, 930, 1030, 1130, 1630, 2030, 2130, 3030, 3130	SEKURA	70/1987-14 (AL.30438)	350mm		
1040, 1140, 1640, 2040, 2140	"LP" SEKURA	70/1987-18 (AL.58524, AL.36393)	460mm		
940, 1040, 1140, 1550, 1640, 1750, 1850, 1950, 2040, 2040S, 2250, 2450, 2650, 2850	"MC1"				
1640, 2040, 2040S, 2140, 2250, 2450, 2650, 2850, 3040, 3050, 3140, 3350, 3640, 3650	"SG2"	70/1987-20 (AL.34845)	510mm	70/1987-20 (AL.34845)	510mm
4040, 4040S, 4050, 4230, 4240, 4240S, 4250, 4430, 4440, 4450, 4630, 4640, 4650, 4840, 4850, 8430, 8440, 8450, 8630, 8640, 8650, 8850		70/1987-16 (AR.56694)	410mm	<i>o / or</i> 70/1987-16 (AR.56694)	<i>o / or</i> 410mm

MOTOR DEL LIMPIAPARABRISAS
WIPER MOTOR

63/1980-4
(AL.58520)

135°

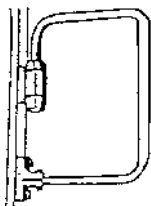
12 Volts



Cabina MC1, CC2 *cab*

940, 1040, 1140, 1550, 1640, 1750,
1850, 1950, 2040, 2040S, 2250, 2450,
2650, 2850

RETROVISORES
REAR VIEW MIRRORS



70/4172-8
(ET. 4161)

Fijación para retrovisor
Bracket only



70/4172-19
(10/6228E)

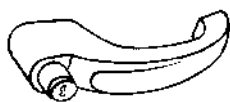
Espejo convexo superior, con enganche de 255 x 153mm
Convex mirror for above, with clamp 255 x 153mm



Para más información
ver la gama completa
en la sección 1 del
catálogo.

*For further details, see
the complete range in
part 1 of the catalogue.*

ASIDOR DE LA PUERTA
CAB DOOR HANDLE



70/4170-25
(13/1443, AL.25947, AR.91895,
AL.55143, AL.66989)

Izquierda o derecha/ *LH or RH*
Cabina "SEKURA" *Cab*

940, 1030, 1040, 1130, 1140, 1630, 1640, 2030, 2040, 2040S, 2130, 2140,
3030, 3040, 3130, 3140

Las referencias originales tienen un propósito identificativo.
Nuestras piezas no son originales.

*Part numbers are quoted for reference purposes only.
Our parts and accessories are not original.*



**ASIENTO SUSPENDIDO
COMFORT SEAT**

ASIENTO COMPLETO / COMPLETE SEAT

Datos técnicos

- Suspensión ajustable
- Asiento con guías de ajuste
- Protección para la espalda
- El asiento se distribuye con tapicería amarilla sintética y base inclinada

Technical data

- Adjustable suspension
- Slide rails adjustment
- Contour back rest
- Supplied with yellow upholstery and angled mounting plate

61/830-825
(Ex : SG.10/JD, 830-10)



REVESTIMIENTO DE ASIENTO / SEAT TRIMS

Série / Serie 20, 30, 40

61/831-10
(Ex : JD031K)

61/831-11
(Ex : JD031K/HM)



Ver la gama completa en la primera parte del catálogo.
See the complete range in part 1 of the catalogue.

**JUEGOS DE REVESTIMIENTO PARA EL INTERIOR DE LA CABINA
CAB TRIMS**

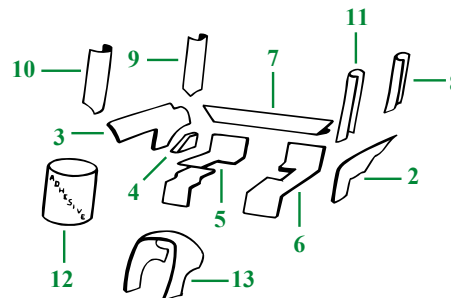
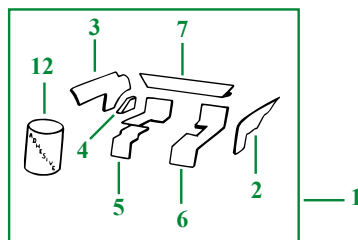


Ilustración juego SG2 / SG.2 set illustration

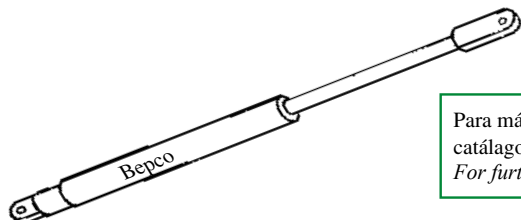
Referencia Reference	Fig. Fig.	Descripción Description	Referencia Reference	Fig. Fig.	Descripción Description
Cabina SG2 series "40" & "50" (Europa) <i>SG2 cab "40" & "50" series (Europe)</i>					
26/4113-1 (C.1780)	1	Juego incluye ítems 2, 3, 4, 5, 6, 7 & 12 <i>Set including 2, 3, 4, 5, 6, 7 & 12</i>	26/4113-1J (C.1789)	9	Panel lateral trasero (dcha) <i>Rear corner panel (RH)</i>
26/4113-1A (C.1781)	2	Panel lateral (izq.) <i>Side panel (LH)</i>	26/4113-1K (C.1790)	10	Panel lateral delantero (dcha) <i>Front corner panel (RH)</i>
26/4113-1B (C.1782)	3	Panel lateral (drcha.) <i>Side panel (RH)</i>	26/4113-1L (C.1791)	11	Panel lateral delantero (izq.) <i>Front corner panel (LH)</i>
26/4113-1C (C.1783)	4	Panel trasero (drcha.) <i>Rear corner panel (RH)</i>	26/4113-1M (C.1508)	12	Adhesivo <i>Adhesive</i>
26/4113-1D (C.1784)		Panel trasero (izq.) <i>Rear corner panel (LH)</i>	26/4113-1N (C.1792)	13	Envoltura <i>Wrapper</i>
26/4113-1E (C.1785)	5	Panel inferior (drcha.) <i>Bottom panel (RH)</i>	Cabina SG1 (USA) <i>SG1 cab (US)</i>		
26/4113-1F (C.1786)	6	Panel inferior (izq.) <i>Bottom panel (LH)</i>	26/4113-2 (C.1777)	1	Juego para/ <i>Set for</i> 4030, 4230
26/4113-1G (C.1787)	7	Panel posterior <i>Back panel</i>	26/4113-3 (C.1778)		Juego para/ <i>Set for</i> 4430, 4440
26/4113-1H (C.1788)	8	Panel trasero (izq.) <i>Rear panel (LH)</i>	26/4113-4 (C.1779)		Juego para/ <i>Set for</i> 4040, 4240, 4630

Las referencias originales tienen un propósito identificativo.
Nuestras piezas no son originales.

Part numbers are quoted for reference purposes only.
Our parts and accessories are not original.



**AMORTIGUADORES
GAS STRUTS**



Para más información ver la gama completa en la sección 1 del catálogo.
For further details, see the complete range in part 1 of the catalogue.



Tractores <i>Tractors</i>	Parabrisas <i>Windscreen</i>	Puerta <i>Door</i>	Techo <i>Roof</i>	Trasero <i>Rear window</i>
1030, 1130, 1630 (Cabina "SEKURA", "SEK 442", "OPU" Cab)			26/870-17 (AL.28599) 255mm 300 Newtons	26/870-17 (AL.28599) 255mm
1830, 2030, 2130 (Cabina "SEKURA", "SEK 293", "SEK 927" Cab)			26/871-13 (AL.28649) 255mm 210 Newtons	
2030, 2130, 3030, 3130 (Cabina "SEKURA", "SEK 294", "SEK 443" Cab)			26/870-17 (AL.28599) 255mm 300 Newtons	26/870-19 (AL.58521) 504mm
940, 1040, 1140, 1550, 1640, 1750, 1850, 1950, 2040, 2040S, 2250, 2450, 2650, 2850 (Cabina "MC1" Cab)	26/874-4 (AL.61021) 325mm	26/872-15 (AL.60324) 500mm	26/871-14 (L.57248) 227mm	26/870-18 (AL.33170) 500mm
940, 1040, 1140, 1640, 2040, 2040S, 2140, 3040, 3140 (Cabina "OPU" Cab)	26/870-19 (AL.58521) 504mm		26/870-17 (AL.28599) 255mm	
1640, 2040, 2040S, 2140, 2250, 2450, 2650, 2850, 3040, 3050, 3140, 3350, 3640, 3650 (Cabina "SG2" Cab)				26/870-20 (AL.35675, AL.66992) 740mm
4040S, 4055, 4240, 4240S, 4250, 4255, 4440, 4450, 4455, 4640, 4650, 4680, 4755, 4850, 4955				

**GOMAS PARA CRISTALES DE CABINA
GLAZING RUBBER AND DRAFT EXCLUDERS**

	Secciones (Goma negra) <i>Sections (Black rubber)</i>						Secciones (negra) <i>Sections (Black)</i>			
Ref. Ref.										
	70/4110-9 (13/1200) (A)	70/4110-10 (13/1206) (B)	70/4110-11 (13/1207) (C)	70/4111-4 (13/1201)	70/4110-12 (13/1208)	70/4110-13 (13/1209)	70/4112-2 (13/1202)	70/4112-3 (13/1203)	70/4112-4 (13/1204)	70/4112-5 (13/1205)
Tamaño cristal <i>Glass size</i>	6,0mm	4,7mm	4,7mm	Filtro para <i>Filler strip</i> for A, B, C	5,0mm	4,0mm		2-5mm	5-6mm	6mm
Panel	1,2/1,6mm	1,2/1,6mm	2,6/3,2mm		2mm	2mm				

Se vende en metros / *Sold in metres*

Las referencias originales tienen un propósito identificativo.
Nuestras piezas no son originales.

*Part numbers are quoted for reference purposes only.
Our parts and accessories are not original.*



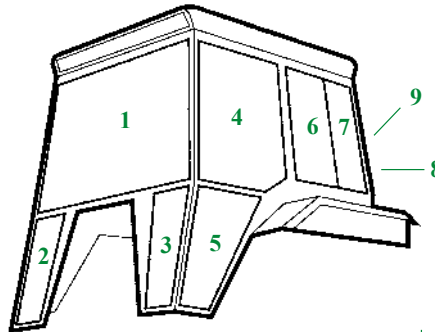
"THE RELIABLE SERVICE"



**CRISTAL DE CABINA
CAB GLASS**

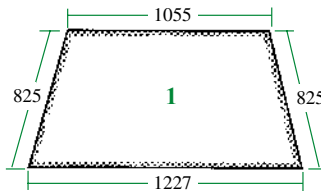
CABINA DE LUXE - SEKURA (O.P.U.) / DE LUXE - SEKURA (O.P.U.) CAB

1030, 1130, 1630, 2030, 2130, 2140, 3030, 3130

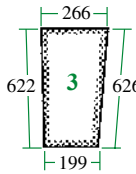
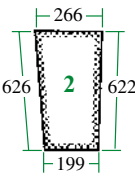


Todos los cristales no son tintados
All glass not tinted

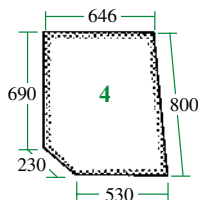
26/4002-2
(D.7040, AL.25755, AL.27351)
(⇄ 199830)
Parabrisas
Windscreen



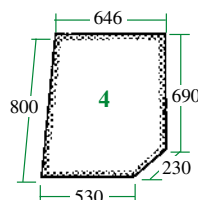
26/4016-2
(D.7041, AL25757)
(⇄ 199830)
Delantera (drcha.)
Front (RH)



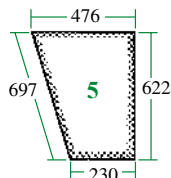
26/4015-2
(D.7042, AL25756)
(⇄ 199830)
Delantera (izq.)
Front (LH)



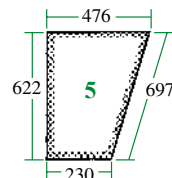
26/4035-9
(D.7043, AL.25759, AL.27355)
(⇄ 199830)
Puerta (drcha. superior)
Door (Upper RH)



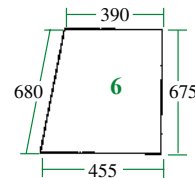
26/4034-1
(D.7044, AL.25758, AL.27354)
(⇄ 199830)
Puerta (izq. superior)
Door (Upper LH)



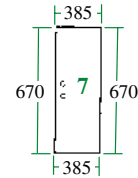
26/4033-1
(D.6770, AL25761)
(⇄ 199830)
Puerta (inferior drcha.)
Door (Lower RH)



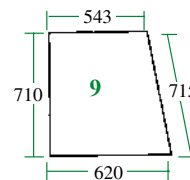
26/4032-1
(D.6769, AL25760)
(⇄ 199830)
Puerta (inferior izq.)
Door (Lower LH)



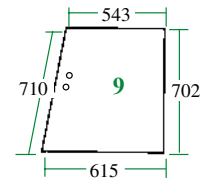
26/4041-5
(D.7048/F, L.32954)
(⇄ 199830)
Lateral (fijo, izq. o drcha.)
Side (Fixed, LH or RH)



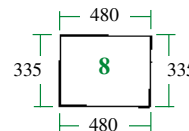
26/4040-3
(D.7048/S, L.32953)
(⇄ 199830)
Lateral
(deslizante, izq. o drcha.)
Side (Sliding, LH or RH)



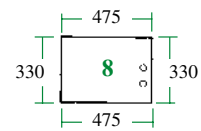
26/4079-1
(D.8000/F)
(⇄ 212715)
Trasero (superior, fijo)
Rear (Upper, fixed)



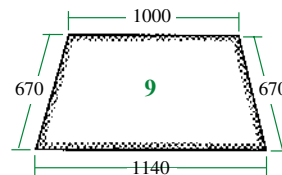
26/4078-1
(D.8000/S)
(⇄ 212715)
Trasero (superior, deslizante)
Rear (Upper, sliding)



26/4075-3
(D.7050/F, L.32956)
(⇄ 199830)
Trasero (inferior, fijo)
Rear (Lower, fixed)



26/4074-3
(D.7050/S, L.32955)
(⇄ 199830)
Trasero (inferior, deslizante)
Rear (Lower, sliding)



26/4077-1
(D.7049, AL28056)
(212716 ⇄)
Trasero (superior)
Rear (Upper)

Las referencias originales tienen un propósito identificativo.
Nuestras piezas no son originales.

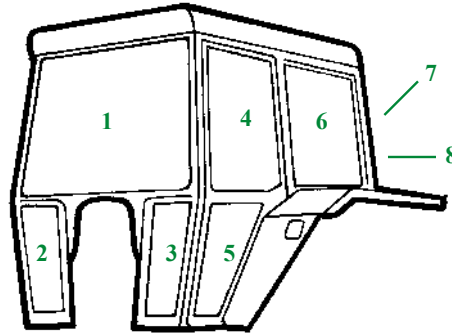
Part numbers are quoted for reference purposes only.
Our parts and accessories are not original.



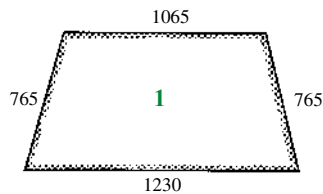
**CRISTAL DE CABINA
CAB GLASS**

CABINA P.P.I. & L.P. SEKURA (L.P.U.) / P.P.I. & L.P. SEKURA (L.P.U.) CAB

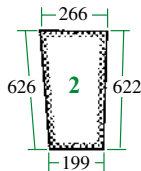
1040, 1140, 1640, 2040, 2140



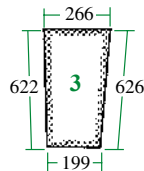
Todos los cristales no son tintados
All glass not tinted



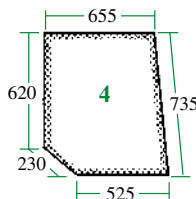
26/4002-1
(D.6765, AL.29675)
Parabrisas
Windscreen



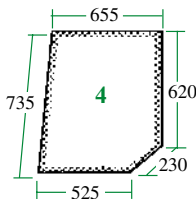
26/4016-2
(D.7041, AL.27353)
Delantera (drcha.)
Front (RH)



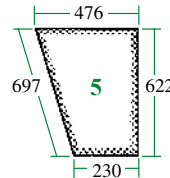
26/4015-2
(D.7042, AL.27352)
Delantera (izq.)
Front (LH)



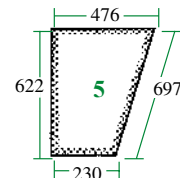
26/4031-1
(D.6768, AL.29672)
Puerta (drcha. superior)
Door (Upper RH)



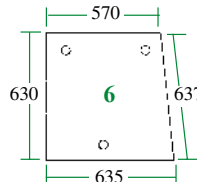
26/4030-1
(D.6767, AL.29671)
Puerta (izq. superior)
Door (Upper LH)



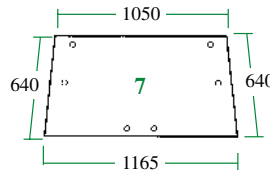
26/4033-1
(D.6770, AL.27357)
Puerta (inferior drcha.)
Door (Lower RH)



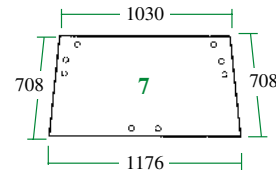
26/4032-1
(D.6769, AL.27356)
Puerta (inferior izq.)
Door (Lower LH)



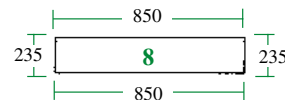
26/4047-14
(D.8022)
Lateral (izq. o drcha.)
Side (LH or RH)



26/4072-14
(D.6772, 930-174)
Trasero
(superior, 6 agujeros)
Rear (Upper; 6 holes)



26/4072-28
(D.8025, L.36075)
Trasero
(superior, 8 agujeros)
Rear (Upper; 8 holes)



26/4073-17
(D.8024, 930-177)
Trasero (inferior)
Rear (Lower)

Las referencias originales tienen un propósito identificativo.
Nuestras piezas no son originales.

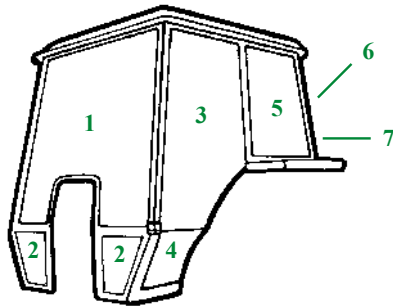
Part numbers are quoted for reference purposes only.
Our parts and accessories are not original.



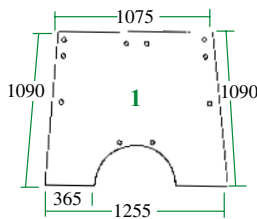
**CRISTAL DE CABINA
CAB GLASS**

CABINA MC1 / MC1 CAB

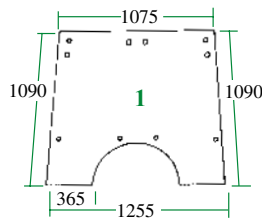
1550, 1750, 1850, 1950, 2250, 2450, 2650, 2850



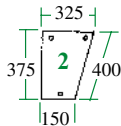
Todos los cristales no son tintados
All glass not tinted



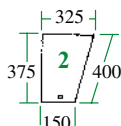
26/4000-38
(D.8053, L.57290)
(⇄ 003481)
Parabrisas
Windscreen



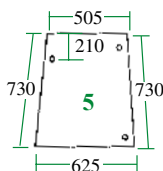
26/4000-39
(D.8056, L.59466)
(003482 ⇄)
Parabrisas
Windscreen



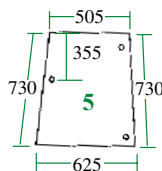
26/4012-25
(D.8050, L.57280)
(⇄ 003481)
Delantera (Izq. o drcha.)
Front (LH or RH)



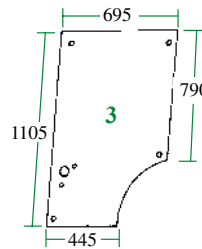
26/4012-26
(D.8057, L.60319)
(003482 ⇄)
Delantera (Izq. o drcha.)
Front (LH or RH)



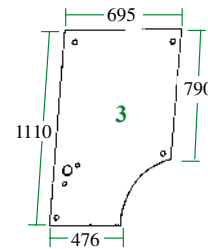
26/4047-15
(D.8060, L.60335)
(⇄ 06180)
Lateral (izq. o drcha.)
Side (LH or RH)



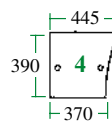
26/4047-17
(D.8061, L.61159)
(06181 ⇄)
Lateral (izq. o drcha.)
Side (LH or RH)



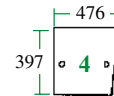
26/4022-20
(D.8054, L.57908)
(4 cil./cyl.)
Puerta (izq. o drcha. superior)
Door (Upper LH or RH)



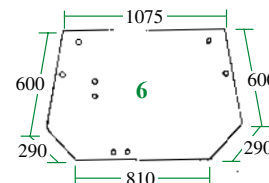
26/4022-23
(D.8054/A, L.57904)
(3 cil./cyl.)
Puerta (izq. o drcha. superior)
Door (Upper LH or RH)



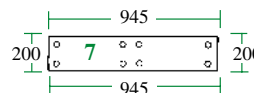
26/4021-20
(D.8055, L.57909)
(4 cil./cyl.)
Puerta (inferior izq. o drcha.)
Door (Lower LH or RH)



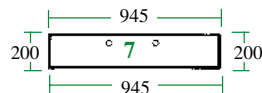
26/4021-24
(D.8055/A, L.57905)
(3 cil./cyl.)
Puerta (inferior izq. o drcha.)
Door (Lower LH or RH)



26/4072-29
(D.8051, L.57284)
Trasero (superior)
Rear (Upper)



26/4073-18
(D.8052, L.57285)
(⇄ 003447)
Trasero (inferior)
Rear (Lower)



26/4073-19
(D.8058, L.60320)
(003448 ⇄)
Trasero (inferior)
Rear (Lower)

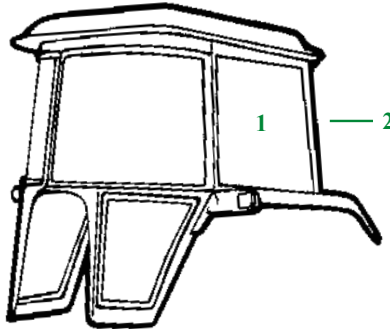
Las referencias originales tienen un propósito identificativo.
Nuestras piezas no son originales.

Part numbers are quoted for reference purposes only.
Our parts and accessories are not original.



CRISTAL DE CABINA
CAB GLASS

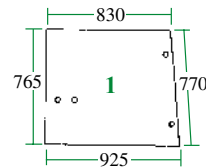
CABINA SG2 / SG2 CAB



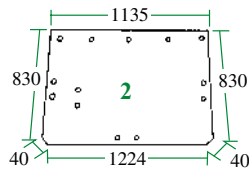
Todos los cristales no son tintados
All glass not tinted

Serie / Serie 40 (1981 ⇄ 1986)

26/4047-18
(D.8076, L.57977)
Lateral (izq. o drcha.), (4 agujeros)
Side (LH or RH, 4 holes)

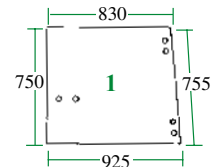


26/4071-9
(D.8070, L.36606)
Trasero (9 agujeros)
Rear (13 holes)

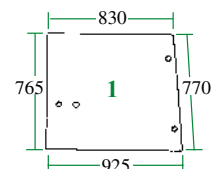


Serie / Serie 50 (1986 ⇄ 10/1989)

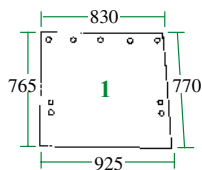
26/4047-19
(D.8075, L.55040)
Lateral (izq. o drcha.), (6 agujeros)
Side (LH or RH, 6 holes)



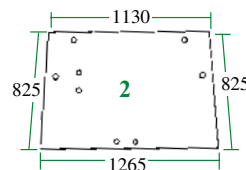
26/4047-18
(D.8076, L.57977)
Lateral (izq. o drcha.), (4 agujeros)
Side (LH or RH, 4 holes)



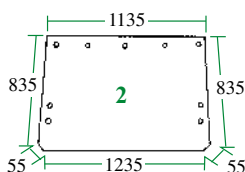
Serie / Serie 55 (1989 ⇄)



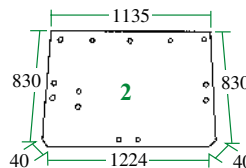
26/4047-21
(D.8077, R.50757)
Lateral (izq. o drcha.), (9 agujeros)
Side (LH or RH, 9 holes)



26/4071-10
(D.8079, L.57978)
Trasero (8 agujeros)
Rear (8 holes)



26/4071-11
(D.8078, R.50758)
Trasero (9 agujeros)
Rear (9 holes)



26/4071-9
(D.8070, L.36606)
Trasero (13 agujeros)
Rear (13 holes)

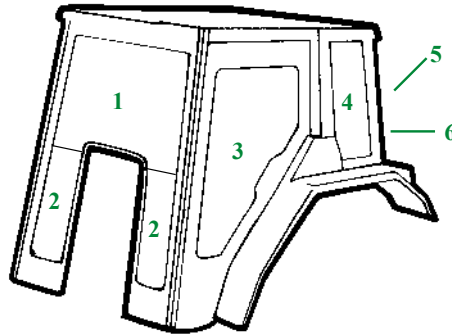
Las referencias originales tienen un propósito identificativo.
Nuestras piezas no son originales.

Part numbers are quoted for reference purposes only.
Our parts and accessories are not original.



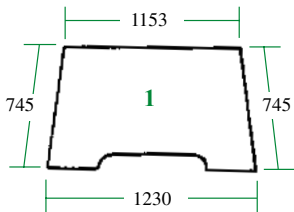
**CRISTAL DE CABINA
CAB GLASS**

3100, 3200, 3300, 3400 STD & X

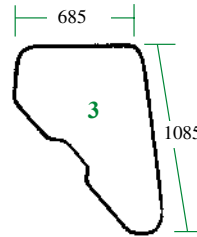


Todos los cristales no son tintados
All glass not tinted

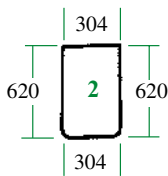
Cabina serie X / X serie cab



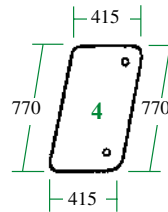
26/4000-58
(D.8090, RT.6005010155)
Parabrisas
Windscreen



26/4021-30
(D.8094, RT.6005010161)
Puerta (izq. o drcha.)
Door (LH or RH)

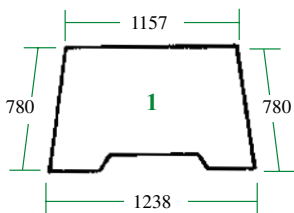


26/4012-39
(D.8092, RT.6005010157)
Delantera (izq. o drcha.)
Front (LH or RH)

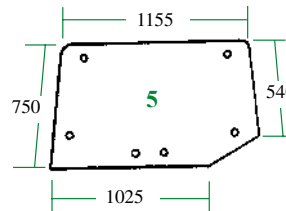


26/4047-38
(D.8095, RT.6005010162)
Lateral (izq. o drcha.), (2 agujeros)
Side (LH or RH, 2 holes)

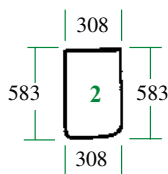
Cabina estándar / Std. cab



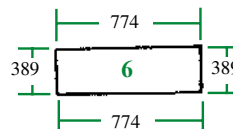
26/4000-57
(D.8091, RT.6005010158)
Parabrisas
Windscreen



26/4072-42
(D.8096, RT.6005010163)
Trasero (superior, 6 agujeros)
Rear (Upper, 6 holes)



26/4012-38
(D.8093, RT.6005010160)
Delantera (izq. o drcha.)
Front (LH or RH)



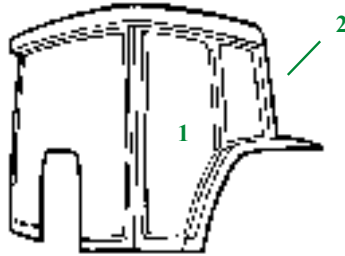
26/4073-28
(D.8097, RT.6005002917)
Trasero (inferior)
Rear (Lower)

Las referencias originales tienen un propósito identificativo.
Nuestras piezas no son originales.

Part numbers are quoted for reference purposes only.
Our parts and accessories are not original.



CRISTAL DE CABINA
CAB GLASS

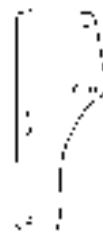


Todos los cristales son tintados
All glass tinted

**SE6010, 6100, SE6110, 6110, SE6210, 6200, 6210,
6300, SE6310, 6310, 6400, 6410, 6506, 6510,
6610, 6800, 6810, 6900, 6910**



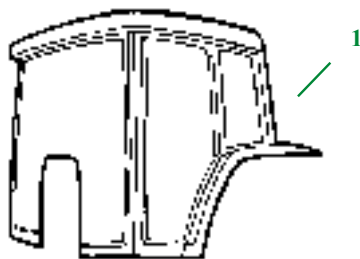
26/4038-10
(D.8184, L.77648)
Puerta (drcha.)
Grosor 6mm, convexo
Door RH
Thickness 6mm, curved



26/4039-10
(D.8185, L.77647)
Puerta (izq.)
Grosor 6mm, convexo
Door LH
Thickness 6mm, curved



26/4072-60
(D.8186, L.78727)
Trasero
Rear



Todos los cristales son tintados
All glass tinted

**7000, 7600, 7610, 7700,
7710, 7800, 7810**



26/4072-61
(D.8195, R.110990)
Trasero (8 agujeros)
Rear (8 holes)

Las referencias originales tienen un propósito identificativo.
Nuestras piezas no son originales.

*Part numbers are quoted for reference purposes only.
Our parts and accessories are not original.*



COSECHADORAS COMBINES

● **TABLA DE IDENTIFICACIÓN PARA COSECHADORAS Y MOTORES**
COMBINES AND ENGINE APPLICATION CHART

Muchas de las piezas de motor para cosechadoras son las mismas que para los tractores. Para identificarlas se puede usar el modelo de motor.

Most of the tractor engine parts are also suitable for the combines. Refer to the engine model.

Cosechadoras Combines	Motor Engine	Cylindros Cylinders	Cosechadoras Combines	Motor Engine	Cylindros Cylinders
430, 530, 935	4-219D	4	2066	6-076H	6
630	6-329D	6	3300	4-219D	4
932, 940, 942	4-239D	4	4400	6-329D	6
945, 952	4-239T	4	4420	6-359D	6
950, 960	6-329D	6	4425	6-329D	6
955, 1055	6-359D	6	6600	6-404T/A	6
965, 965H, 968, 968H, 975, 985, 1068H, 1075H4, 1169H, 1174H4	6-359T	6		6-404D	6
			6602	6-466T	6
1032, 1042	4-239D	4	6620	6-466D	6
1052	4-239T	4		6-466T	6
		6-329D	6	6622	4-239T
1065, 1072, 1075	6-359T	6	6-466T		6
1133, 1144	4-239D	4	7700	6-404D	6
1155	4-239T	4	7720	6-466T	6
1157	6-359D	6	7720	6-466T	6
1158, 1166, 1174	6-359T	6	8820	6-466A	6
1177	6-359A	6		6-466T	6
1177H4, 1188, 1188H4	6-466A	6	9400	6-359T	6
2054	6-068H	6		6-068H	6
2056, 2058, 2064	6-076A	6	9500, 9600, 9965	6-076	6

Las referencias originales tienen un propósito identificativo.
 Nuestras piezas no son originales.



"THE RELIABLE SERVICE"



Part numbers are quoted for reference purposes only.
 Our parts and accessories are not original.

**COSECHADORAS
COMBINES**

● **BOMBAS DE AGUA Y JUEGOS DE REPARACIÓN / WATER PUMPS & REPAIR KITS**

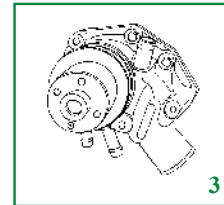
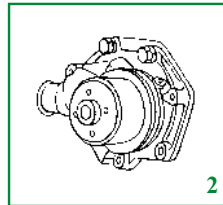
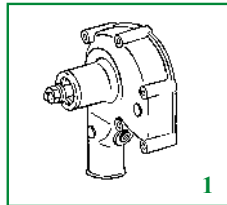


	Fig. Fig.	OEM	Bomba Pump	Juego de reparación Repair kit
Cosechadora mot. JD 6 cyl. <i>Combines JD 6 cyl. engine</i>				26/131-24 (RE.11348, RE.62660)
Cosechadora mot. Perkins 6.354 <i>Combines Perkins 6.354 engine</i>	1	41312557 41313045	26/130-10 (A)	26/131-10 (59101)
Cosechadora 630 <i>Combine 630</i>	2	AR.52396	26/130-52 (B)	
Cosechadora 955 <i>Combine 955</i>	3	AR.76290 AR.97710	26/130-53 (B)	

(A) Sin polea / *Without pulley*

(B) Polea doble / *Double pulley*

● **RÓTULAS Y ACOPLES DE DIRECCIÓN / TIE RODS & SOCKETS**

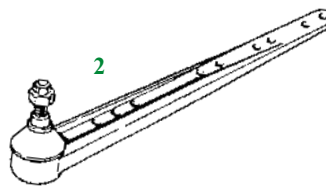
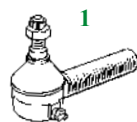


	Fig. Fig.	Rótula Tie rod	Cono Cone	Rosca Thread	Longitud Length
Cosechadoras <i>Combines</i>	1	26/497-55 (AH.21345) Barra / <i>Cutterbar</i>	13/16" x 7/8"	1" (M)	110mm
	2	26/495-57 (AH.21346) Cabezal del corte / <i>Knife head</i>	13/16" x 7/8"		350mm
Cosechadoras <i>Silage-Harvester</i> 5400, 5440, 5460, 5820, 5830	1	26/497-52 (AH.75389)	11/16" x 13/16"	7/8" (M)	110mm
	3	26/498-7 (AH.75396)	11/16" x 3/4"	11/16" (F)	64mm
	1	26/497-57 (AH.75397)	11/16" x 3/4"	11/16" (M)	55mm

Las referencias originales tienen un propósito identificativo.
Nuestras piezas no son originales.

*Part numbers are quoted for reference purposes only.
Our parts and accessories are not original.*

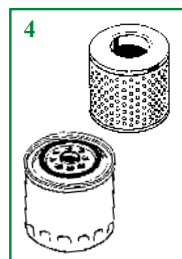
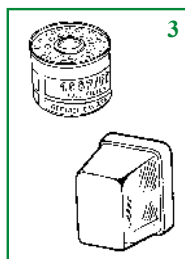
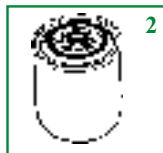
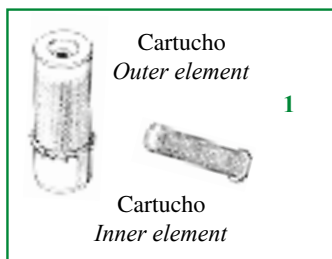


bepco tractor parts

JOHN DEERE
(REPLACEMENT PARTS)

**COSECHADORAS
COMBINES**

● **FILTROS / FILTERS**



Cosechadoras Combines	1		2	3	4
	Aire/Air		Aceite Oil	Combustible Fuel	Hidráulico Hydraulic
	Ext. / Out.	Int. / Inn.			
330	60/161-7 (AT.20728, AL.17255)		60/97-7 (T.19044)	60/111-3 (AT.17387) (Sust./Repl. CAV 296)	
430, 530, 630, 730	60/161-38 (AH.20487)				
730 (Mot. Perkins 6.354)				60/111-1 (1001) o / or 60/111-3 (AT.17387) (Sust./Repl. CAV 296)	
925, 932			60/97-7 (T.19044)	60/111-3 (AT.17387) (Sust./Repl. CAV 296)	
930, 935, 940, 942, 945	60/161-19 (AZ.18968)				
948, 950, 955, 960, 970	60/161-35 (AZ.20623) (⇔ 952239) 60/161-40 (AR.36044) (952240 ⇔)				
952	60/161-31 (AZ.30757) Ht.: 377mm o / or 60/161-35 (AZ.20623) Ht.: 353mm	60/162-31 (AZ.30758) o / or 60/162-20 (AZ.25498)			
965, 965H	60/161-31 (AZ.30757) (⇔ 015187) 60/161-41 (AZ.20625) (015188 ⇔)				

Las referencias originales tienen un propósito identificativo.
Nuestras piezas no son originales.

Part numbers are quoted for reference purposes only.
Our parts and accessories are not original.



"THE RELIABLE SERVICE"



bepco tractor parts
JOHN DEERE
 (REPLACEMENT PARTS)

Cosechadoras Combines	1		2	3	4
	Aire/Air		Aceite Oil	Combustible Fuel	Hidráulico Hydraulic
	Ext. / Out.	Int. / Inn.			
968H	60/161-41 (AZ.20625) (Ø 015187)		60/97-7 (T.19044)		60/97-39 (AZ.22878)
975	60/161-42 (AZ.23642) (Ø 015787)				
	60/161-43 (AZ.26091) (015788 ⇄)	60/162-40 (AZ.26007) (015788 ⇄)			
985	60/161-43 (AZ.26091)	60/162-40 (AZ.26007)			
985 H4 (Hydro 4)					
1032, 1042, 1133, 1144	60/161-19 (AZ.18968)		60/97-7 (T.19044)		
1052	60/161-35 (AZ.20623)	60/162-20 (AZ.25498)			
1055	60/161-41 (AZ.20625)	60/162-41 (AZ.25867)			
1068H					
MD1065, MD1072, MD1075, MD1075H4	60/161-31 (AZ.30757)	60/162-31 (AZ.30758)		60/111-12 (AR.50041)	60/97-39 (AZ.22878)
MD1085, MD1085H4 (Hydro 4)	60/161-43 (AZ.26091)	60/162-40 (AZ.26007)			
1155	60/161-35 (AZ.20623)	60/162-20 (AZ.25498)			
1157	60/161-41 (AZ.20625)	60/162-41 (AZ.25867)			
1158					
1166H, 1166 Hydro 4, 1166SII, 1166SII Hydro 4, 1169H, 1169 Hydro 4, 1174, 1174 Hydro 4, 1174SII	60/161-31 (AZ.30757)	60/162-31 (AZ.30758)		60/111-12 (AR.50041)	60/97-39 (AZ.22878) 60/240-2 (AR.75603) (Transmisión Transmission)
1177, 1177SII	60/161-31 (AZ.30757) Ø 198mm (Ø 056349)	60/162-31 (AZ.30758) (Ø 056349)			60/97-39 (AZ.22878)
	60/161-43 (AZ.26091) Ø 228mm (056350 ⇄)	60/162-40 (AZ.26007) (056350 ⇄)			

Las referencias originales tienen un propósito identificativo.
 Nuestras piezas no son originales.

Part numbers are quoted for reference purposes only.
 Our parts and accessories are not original.

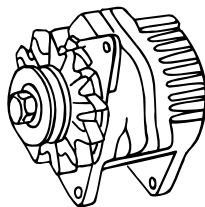
(Ed.2) 10/01


"THE RELIABLE SERVICE"


JD - 113

**COSECHADORAS
COMBINES**

● **ALTERNADORES / ALTERNATORS**

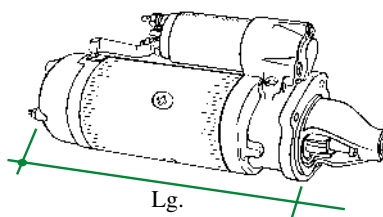


Tractores Tractors	Alternador Alternator	Capacidad Capacity	Comentarios Comment	OEM OEM	Regulador Control box
Cosechadoras Combines 925, 935, 945, 952, 955, 965, 975	62/920-17 (15/1995)	14V., 33 Amp.		AL.36100	62/919-16 (205/01007)
Cosechadoras Combines 1032, 1042, 1052, 1055 (⇄ 06/89)	62/920-16 (15/1453) (W)	14V., 55 Amp.	Correa/ Belt 17mm	AL.35998 AL.67175 AL.81346	62/919-17 (205/04034)
	62/920-19 (15/1498)	14V., 80 Amp.			62/919-18 (205/01024)
Cosechadoras Combines 1032, 1042, 1052, 1055 (07/89 ⇄)	62/920-20 (15/1009)	14V., 70 Amp.	Correa/ Belt 17mm		62/919-17 (205/04034)

(W) Conexión eléctrica / *Electrical connection*

● **MOTORES DE ARRANQUE / STARTERS**

Transmisión : 11Z = 11 dientes
Fijación : Número de agujeros
R: Montaje dcha
L: Montaje izq.



Drive : 11Z = 11 teeth
Fixtting : Numbers of holes
R : RH mounting
L : LH mounting

Tractores Tractors	Ref. n° Order n°	Transmisión Drive ass.	Fijación Fitting	Longitud sobresaliente Prominent length	Capacidad Capacity	OEM
Cosechadoras Mot. 3, 4 & 6 cil. Combines 3, 4 & 6 cyl. engines	62/930-25 (15/06804JD)	10Z	2R	250	12 V., 3,5 KW	AR.70436
	62/930-86 (15/70436AR)			255	12V., 3 KW	

Las referencias originales tienen un propósito identificativo.
Nuestras piezas no son originales.

Part numbers are quoted for reference purposes only.
Our parts and accessories are not original.



LISTA DE REFERENCIAS CRUZADAS (OEM → BEPCO)

CROSS REFERENCES (OEM → BEPCO)

REF. OEM OEM REF.	REF. ANTIGUA OLD REF.	REF. N° ORDER N°	PAGINA PAGE	REF. OEM OEM REF.	REF. ANTIGUA OLD REF.	REF. N° ORDER N°	PAGINA PAGE
08H4762	JD.4762	26/446-13	JD-67	AL.23095	1882.271.403	26/200-34	JD-50
14H1086	J.14H902	26/452-1	JD-69,72,75	AL.23125	JAL.24496	26/6090-1	JD-56
14H902	J.14H902	26/452-1	JD-69,72,75	AL.23213	JAR.72951	26/6099-3	JD-38
14H920	F.14H920	26/452-5	JD-75	AL.23422	JAL.23422	26/761-14	JD-91
19H1815	J.19H1815	26/725-1D	JD-95	AL.23511	26/23511 AL	26/221-21E	JD-46,47,48,49,50
26H77	JD.2677 H	26/623-1	JD-86	AL.23512	10/343 B	26/950-11	JD-43
41312557	P4131/2557	26/130-10	JD-111	AL.23547	JAL.23547	26/376-12	JD-61
41313045	P4131/2557	26/130-10	JD-111	AL.23836	26/23836 AL	26/399-1	JD-66
59101	P.59101	26/131-10	JD-111	AL.23837		26/177-15	JD-42
51M7057	JR.31142	26/6167-3	JD-37	AL.23838	26/23838 A	26/177-14	JD-42
57M6274	10/12844	63/1955-239	JD-41	AL.24219	JAR.72910	26/6099-1	JD-38
57M6275	10/12807	63/1955-270	JD-41	AL.24289	JD.17910	26/176-28	JD-42
57M6583	10/12842	63/1955-202	JD-41	AL.24291	26/14411 DE	26/176-29	JD-42
57M6844	10/12620	63/1955-410	JD-39	AL.24293	JAL.24526	26/174-13	JD-42
57M7013	10/12814	63/1955-245	JD-40	AL.24294	JD.18155	26/171-11	JD-42
57M7014	10/12498	63/1955-382	JD-40,41	AL.24482	JAR.72868	26/6099-2	JD-38
57M7166	10/12342	63/1955-472	JD-39	AL.24496	JAL.24496	26/6090-1	JD-56
930-174	D.6772	26/4072-14	JD-104	AL.24526	JAL.24526	26/174-13	JD-42
930-177	D.8024	26/4073-17	JD-104	AL.24527	JD.15473	26/180-5	JD-29
A.1555R	26/1555 AR	26/454-11	JD-75	AL.24545	26/27008 AL	26/1912-17	JD-40
A.3809R	JA.3809 R	26/486-24	JD-69	AL.24553	JD.24553	26/165-17	JD-36,37
A.4444R	JA.4444 R	26/692-22	JD-59	AL.24784	JAL.36919	26/107-6	JD-44
A.4730 R	JA.4730	26/6680-1	JD-62	AL.25268	JAL.25268	26/940-19	JD-97
AE.31724	JD.27159	60/162-8	JD-30,31	AL.25271	JAL.25271	26/933-9	JD-97
AH.20487	2248	60/161-38	JD-112	AL.25274	JAL.25274	26/931-12	JD-97
AH.75389	26/75389 AH	26/497-52	JD-82	AL.25275	JAL.25275	26/939-20	JD-97
AH.21345	26/21345 AH	26/497-55	JD-111	AL.25366	26/25366 AL	26/177-13	JD-42
AH.21346	26/21346 AH	26/497-57	JD-111	AL.25554	26/25554 AL	60/240-1	JD-30,31
AH.75389	26/75389 AH	26/497-52	JD-111	AL.25644	JD.25644 AL	26/1918-3	JD-41
AH.75396	26/75396 AH	26/498-7	JD-111	AL.25645	26/27014 AL	26/1912-18	JD-40
AH.75397	26/75397 AH	26/497-57	JD-111	AL.25646	26/14008 AL	26/961-2	JD-43
AL.10681	BH415.311	69/565-4	JD-87	AL.25755	D.7040	26/4002-2	JD-103
AL.11726	1859.029.000	26/232-7	JD-45	AL.25756	D.7042	26/4015-2	JD-103,104
AL.13283	1861.244.101	26/221-103	JD-45	AL.25757	D.7041	26/4016-2	JD-103,104
AL.13659	JD.13659 AL	26/1918-2	JD-41	AL.25758	D.7044	26/4034-1	JD-103
AL.14007	JAL.14007	26/964-1	JD-43	AL.25759	D.7043	26/4035-9	JD-103
AL.14008	26/14008 AL	26/961-2	JD-43	AL.25760	D.6769	26/4032-1	JD-103,104
AL.14445	JAL.14445	26/919-10	JD-96	AL.25761	D.6770	26/4033-1	JD-103,104
AL.14992	JAL.14992	26/911-4	JD-96	AL.25875	ET.954/5	26/1912-16K	JD-40
AL.15149	BH515.310	69/565-5	JD-87	AL.25877	26/25877 AL	26/1918-4	JD-41
AL.15970	1882.207.201	26/200-105	JD-45	AL.25947	13/1443	70/4170-25	JD-100
AL.16048	26/16048 AL	26/963-1	JD-43	AL.26311	JD.26311 AL	26/534-1	JD-84
AL.16301	BH415.311	69/565-4	JD-87	AL.26312	JD.26312 AL	26/534-2	JD-84
AL.16333	3151.023.101	26/232-9	JD-45	AL.26466	1864.338.001	26/221-30	JD-50,52
AL.16775	1861.250.101	26/212-29	JD-45	AL.26684	26/26682 AL	26/712-15	JD-95
AL.16776	1861.257.101	26/221-104	JD-45	AL.26685	26/26683 AL	26/712-16	JD-95
AL.16778	1864.203.101	26/221-105	JD-45	AL.26971	M.1610607	26/907-2	JD-85
AL.16938	1861.244.101	26/221-103	JD-45	AL.26972	JAL.26972	26/908-2	JD-85
AL.16963	BH615.314	69/565-6	JD-87	AL.27008	26/27009 GD	26/1913-17	JD-40
AL.17255	JD.20728	60/161-7	JD-112	AL.27012	26/27012 AL	26/1919-4	JD-41
AL.17278	1861.250.101	26/212-29	JD-45	AL.27013	26/27013 AL	26/1919-3	JD-41
AL.17451	1861.257.101	26/221-104	JD-45	AL.27014	26/270101 GG	26/1913-18	JD-40
AL.17456	1882.206.203	26/200-104	JD-45	AL.27108	JAL.27108	26/86-10	JD-56
AL.17471	1882.248.104	26/200-103	JD-45	AL.27158	JD.27158	60/161-9	JD-31
AL.17503	1860.049.026	26/221-102	JD-45	AL.27159	JD.27159	60/162-8	JD-30,31
AL.17684	26/17684 AL	26/950-8	JD-43	AL.27160	26/27160 AL	60/162-9	JD-31
AL.18135		26/702-6	JD-88	AL.27221	JAL.27221	26/688-2	JD-95
AL.18136		26/701-6	JD-88	AL.27231	3151.080.001	26/232-3	JD-46,47,48,50,52
AL.18250	26/26682 AL	26/712-15	JD-95	AL.27351	D.7040	26/4002-2	JD-103
AL.18252	26/26683 AL	26/712-16	JD-95	AL.27354	D.7044	26/4034-1	JD-103
AL.18903	JAL.18903	26/218-3	JD-53	AL.27355	D.7043	26/4035-9	JD-103
AL.18905	JL.38063	26/202-4	JD-53	AL.27372	JAL.27372	26/923-3	JD-96
AL.19085		26/212-31	JD-53	AL.27388	JD.27388	26/165-15	JD-36,37
AL.19092	1861.289.502	26/212-10	JD-46,47,48,49,50	AL.27389	JD.27389	26/165-16	JD-36,37
AL.19092-E	26/19092 AL-E	26/212-10E	JD-46,47,48,49,50	AL.27532	JD.38645	26/497-10	JD-80
AL.19192	JAL.19192	26/940-18	JD-97	AL.27533	26/37505 AL	26/495-17	JD-80
AL.19361	JAT.27227	26/500-4	JD-69	AL.27809	JAL.27809	26/187-3	JD-29,66
AL.19647	JAL.19647	26/762-12	JD-91	AL.27855	26/14008 AL	26/961-2	JD-43
AL.19705	JAL.19705	26/409-10	JD-66	AL.28039	1882.271.501	26/200-35	JD-50,52
AL.19725	26/19725 AL	26/500-3	JD-69	AL.28056	D.7049	26/4077-1	JD-103
AL.19726	26/38637 AL	26/493-17	JD-80	AL.28222	26/28222 AL	26/470-200	JD-74
AL.19730	26/19730 AL	26/470-202	JD-74	AL.28232	JAL.24496	26/6090-1	JD-56
AL.19753	JAL.19753	26/409-9	JD-66	AL.28307	5871/25	70/2930-76	JD-37
AL.19890	26/19890 AL	26/950-6	JD-43	AL.28457	JD.22875 T	26/510-6	JD-83

Las referencias originales tienen un propósito identificativo.
Nuestras piezas no son originales.

Part numbers are quoted for reference purposes only.
Our parts and accessories are not original.



**LISTA DE REFERENCIAS CRUZADAS (OEM → BEPCO)
CROSS REFERENCES (OEM → BEPCO)**

REF. OEM OEM REF.	REF. ANTIGUA OLD REF.	REF. N° ORDER N°	PAGINA PAGE	REF. OEM OEM REF.	REF. ANTIGUA OLD REF.	REF. N° ORDER N°	PAGINA PAGE
AL.28458	JL.28988	26/510-7	JD-83	AL.37069	26/37069 AL	26/6403-10	JD-67
AL.28599	26/28599 AL	26/870-17	JD-102	AL.37082	26/31251 AL	26/842-7	JD-98
AL.28649	26/28649 AL	26/871-13	JD-102	AL.37083	26/31252 AL	26/842-6	JD-98
AL.28738	3151.092.101	26/232-4	JD-46,47,49	AL.37167	JD.37167	26/165-25	JD-37
AL.28860	500.0248.11	26/232-5	JD-46,47,48,49,50,51	AL.37193	26/37193 AL	26/579-2B	JD-82
AL.28957	JAT.22143	26/6627-4	JD-87	AL.37194	26/37194 AL	26/579-2D	JD-82
AL.29645	26/38234 AL	26/422-4	JD-64,65	AL.37357	26/39934 AL	26/168-3	JD-35
AL.29671	D.6767	26/4030-1	JD-104	AL.37364	FE.0648	26/168-3A	JD-35
AL.29672	D.6768	26/4031-1	JD-104	AL.37504	JD.38645	26/497-10	JD-80
AL.29675	D.6765	26/4002-1	JD-104	AL.37505	26/37505 AL	26/495-17	JD-80
AL.30013	JAT.22199	26/6627-3	JD-87	AL.37517		26/227-1	JD-54
AL.30095	26/38235 AL	26/422-5	JD-64,65	AL.37520		26/229-1	JD-54
AL.30173	26/20854 AT	26/540-4	JD-83	AL.37523	JAL.32999	26/497-51	JD-81
AL.30338	JD.30338	26/165-24	JD-37	AL.37539	500.0248.11	26/232-5	JD-46,47,48,49,50,51
AL.30394	JD.30394	60/161-10	JD-30,31	AL.37568	JAL.37568	26/150-36	JD-28
AL.30395	26/30395 AL	60/162-10	JD-30,31	AL.37705	1861.886.101	26/221-27	JD-50
AL.30438	10/3221	70/1987-14	JD-100	AL.37706	1861.886.102	26/221-29	JD-50,52
AL.30451	1864.314.202	26/221-26	JD-50	AL.37752	BH615.314	69/565-6	JD-87
AL.30452	1864.313.201	26/221-28	JD-50,52	AL.37753	BH415.311	69/565-4	JD-87
AL.30452 - E	26/30452 AL-E	26/221-28E	JD-50,52	AL.37920		26/6402-5	JD-72
AL.30777	3151.080.001	26/232-3	JD-46,47,48,50,52	AL.38083	JL.29872	26/85-8	JD-28,58
AL.30800	JD.17910	26/176-28	JD-42	AL.38099		26/6410-8	JD-71
AL.30802	26/14411 DE	26/176-29	JD-42	AL.38234	26/38234 AL	26/422-4	JD-64,65
AL.31088	JAL.31088	26/500-5	JD-69	AL.38235	26/38235 AL	26/422-5	JD-64,65
AL.31229	JAT.22953	26/1176-1	JD-95	AL.38236	26/38236 AL	26/422-6	JD-64
AL.31237	JAL.37568	26/150-36	JD-28	AL.38239	JAL.69560	26/317-11	JD-63
AL.31251	26/31251 AL	26/842-7	JD-98	AL.38240	JAL.69560	26/317-11	JD-63
AL.31252	26/31252 AL	26/842-6	JD-98	AL.38314	JD.38314 AL	26/172-15	JD-38
AL.31492	JD.31492	26/165-20	JD-37	AL.38356	JAT.21693	26/376-10	JD-61
AL.31497	26/37193 AL	26/579-2B	JD-82	AL.38357	JAL.23547	26/376-12	JD-61
AL.31498	26/37194 AL	26/579-2D	JD-82	AL.38358	JAT.26826	26/376-9	JD-61
AL.31515		26/523-2	JD-83	AL.38374	JD.38374	26/151-10	JD-28
AL.31552	JD.31552	26/165-18	JD-37	AL.38634	JAL.27108	26/86-10	JD-56
AL.31862	JD.31862	26/166-7	JD-37	AL.38636	26/38636 AL	26/490-13	JD-80
AL.31863	JAL.31863	26/166-6	JD-37	AL.38637	26/38637 AL	26/493-17	JD-80
AL.32070	26/32070 AL	26/1912-19	JD-40	AL.38638	26/38638 AL	26/490-14	JD-79
AL.32071	26/32071 AL	26/1912-20	JD-40	AL.38641	26/38641 AL	26/490-16	JD-80
AL.32072	26/36335 AL	26/965-1	JD-43	AL.38645	JD.38645	26/497-10	JD-80
AL.32620	JL.29872	26/85-8	JD-28,58	AL.38646	26/38646 AL	26/495-19	JD-80
AL.32714	26/26574 TN	26/6684-1	JD-62	AL.38892	1861.966.001	26/221-23	JD-46,48,49
AL.32885	26/32885 AL	26/6403-7	JD-67	AL.39018	JAL.39018	26/493-14	JD-77
AL.32891	26/14008 AL	26/961-2	JD-43	AL.39019	JAL.39019	26/495-14	JD-77
AL.32964		26/212-31	JD-53	AL.39020	JL.27130	26/497-7	JD-79
AL.32994	26/32994 AL	26/6403-11	JD-67	AL.39021		26/493-15	JD-79
AL.33038	JAL.33038	26/581-17	JD-82	AL.39022		26/495-15	JD-79
AL.33104		26/692-23K	JD-59	AL.39023	JD.54637	26/493-16	JD-79
AL.33105		26/692-25K	JD-59	AL.39024	JD.27134	26/495-16	JD-79
AL.33126	1862.140.005	26/221-33	JD-49	AL.39026	26/39026 AL	26/490-15	JD-80
AL.33127	3482.039.101	26/200-37	JD-49	AL.39027	JD.54635	26/495-18	JD-80
AL.33164		26/176-30	JD-42	AL.39029	JD.63588	26/497-9	JD-80
AL.33170	26/33170 AL	26/870-18	JD-102	AL.39030	JAT.24357	26/493-20	JD-77
AL.33315	1861.686.033	26/221-22	JD-46,47,48,49,50	AL.39031	JAT.31326	26/495-55	JD-77
AL.33494	JT.28273	26/767-2K	JD-91	AL.39032	JAT.31327	26/496-51	JD-77
AL.33498	JD.38314 AL	26/172-15	JD-38	AL.39033	JAT.24356	26/493-21	JD-77
AL.34678	26/34678 AL	26/105-9	JD-28,38	AL.39034	JAT.31329	26/495-56	JD-77
AL.34694	26/34694 AL	26/166-5	JD-37	AL.39035	26/39035 AL	26/490-11	JD-79
AL.34709	26/34709 AL	26/6403-8	JD-67,72	AL.39036	26/39036 AL	26/490-12	JD-79
AL.34743		26/226-1	JD-54	AL.39037	JD.54636	26/493-18	JD-80
AL.34744		26/228-1	JD-54	AL.39123	1861.924.102	26/221-25	JD-46,47
AL.34845	10/3227	70/1987-20	JD-100	AL.39167		26/692-27K	JD-59
AL.35176	26/35176 AL	26/1912-21	JD-40	AL.39170		26/700-13	JD-88
AL.35675	26/35675 AL	26/870-20	JD-102	AL.39171		26/701-6	JD-88
AL.35753	26/35753 AL	26/165-22	JD-37	AL.39172		26/703-6	JD-88
AL.35755	JAL.35755	26/608-6	JD-86	AL.39242	3182.001.001	26/232-10	JD-49,51,52
AL.35863	26/35863 AL	26/951-6	JD-43	AL.39315	JAL.39315	26/495-51	JD-81
AL.35864	26/35864 AL	26/950-7	JD-43	AL.39318	JAL.39318	26/496-49	JD-81
AL.35998	15/1453	62/920-16	JD-96,114	AL.39319	JAL.39319	26/495-45	JD-81
AL.35999	JAL.35999	62/919-14	JD-96	AL.39320	JAL.39320	26/497-45	JD-81
AL.36100	15/1995	62/920-17	JD-96,114	AL.39338		26/6407-5	JD-71
AL.36101	JAL.36101	26/919-12	JD-96	AL.39353	ATX.250/004	26/700-17	JD-89
AL.36335	26/36335 AL	26/965-1	JD-43	AL.39377		26/6433-3	JD-71
AL.36393	10/3225	70/1987-18	JD-100	AL.39541	500.0248.11	26/232-5	JD-46,47,48,49,50,51
AL.36919	JAL.36919	26/107-6	JD-44	AL.39592	132.0602.11	26/200-36	JD-46,47,48,51
AL.36924	JAL.36919	26/107-6	JD-44	AL.39934	26/39934 AL	26/168-3	JD-35

Las referencias originales tienen un propósito identificativo.
Nuestras piezas no son originales.

Part numbers are quoted for reference purposes only.
Our parts and accessories are not original.



"THE RELIABLE SERVICE"



LISTA DE REFERENCIAS CRUZADAS (OEM → BEPCO)
CROSS REFERENCES (OEM → BEPCO)

REF. OEM OEM REF.	REF. ANTIGUA OLD REF.	REF. N° ORDER N°	PAGINA PAGE	REF. OEM OEM REF.	REF. ANTIGUA OLD REF.	REF. N° ORDER N°	PAGINA PAGE
AL.40871	26/20854 AT	26/540-4	JD-83	AL.67175	15/1453	62/920-16	JD-96,114
AL.40974		26/226-2	JD-54	AL.67195	JD.58730 AL	60/162-35	JD-31
AL.40976	JD.31199	26/6678-5	JD-62	AL.67196	JD.61764 AL	60/162-31	JD-31
AL.41600	26/41600 AL	26/490-10	JD-79	AL.67525	26/23511 AL	26/221-21E	JD-46,47,48,49,50
AL.53389	JAT.27227	26/500-4	JD-69	AL.67574	26/23836 AL	26/399-1	JD-66
AL.55046	JAL.25268	26/940-19	JD-97	AL.67715	JAL.27809	26/187-3	JD-29,66
AL.55047	JAL.55047	26/933-10	JD-97	AL.67974	1861.914.002	26/221-32	JD-48
AL.55140	1888.053.101	26/200-32	JD-46,47,48,49,50	AL.68022	333.0042.11	26/221-107	JD-49,51
AL.55143	13/1443	70/4170-25	JD-100	AL.68201	JD.38314 AL	26/172-15	JD-38
AL.55149	JAL.31088	26/500-5	JD-69	AL.68208	26/31208 HD	26/700-16	JD-88
AL.55870		26/6404-2	JD-72	AL.68210		26/6408-7	JD-71
AL.55940		26/6405-3	JD-72	AL.68253	26/68253 AL	26/497-47	JD-81
AL.55941		26/6403-6	JD-67,71	AL.68254	26/68254 AL	26/495-52	JD-81
AL.55943	26/55943 AL	26/6403-9	JD-67	AL.68255	26/68255 AL	26/68255	JD-81
AL.55954		26/560-3	JD-84	AL.68485	133.0602.10	26/200-38	JD-49,51
AL.55956		26/560-4	JD-84	AL.68486	133.0603.10	26/200-1137	JD-52
AL.56091	JD.56091 AL	26/181-204	JD-39	AL.68619	JAT.16431	26/305-11	JD-63
AL.56167	1882.284.306	26/200-33	JD-46,47,48	AL.68707	10/250362	26/1970-3	JD-44
AL.56469	JD.56469 AL	60/655-14	JD-30,31	AL.69179	26/23836 AL	26/399-1	JD-66
AL.56759	JAL.56759	26/151-20	JD-28	AL.69559	JAL.69560	26/317-11	JD-63
AL.56765	26/31251 AL	26/842-7	JD-98	AL.69560	JAL.69560	26/317-11	JD-63
AL.56766	26/31252 AL	26/842-6	JD-98	AL.69586	26/31208 HD	26/700-16	JD-88
AL.57298	3151.092.101	26/232-4	JD-46,47,49	AL.69699	26/36335 AL	26/965-1	JD-43
AL.58013	JAL.58013	26/495-47	JD-81	AL.69709	26/36335 AL	26/965-1	JD-43
AL.58014	JAL.58014	26/496-47	JD-81	AL.69935	333.0042.12	26/221-177	JD-49,51
AL.58240	JAL.58240	26/107-8	JD-44	AL.70242	26/23836 AL	26/399-1	JD-66
AL.58243	JAL.58243	26/107-7	JD-44	AL.70272	333.0042.11	26/221-107	JD-49,51
AL.58296	JR.50864	26/552-2	JD-55	AL.70273	333.0044.11	26/221-108	JD-52
AL.58356	JD.36265	26/187-7	JD-29	AL.70699		26/523-2	JD-83
AL.58366	26/36335 AL	26/965-1	JD-43	AL.70852		62/930-58	JD-97
AL.58367	26/36335 AL	26/965-1	JD-43	AL.77061	JD.77061 AL	60/97-19	JD-33
AL.58521	26/58521 AL	26/870-19	JD-102	AL.78223	26/78223 AL	60/161-32	JD-33
AL.58524	10/3225	70/1987-18	JD-100	AL.78224	26/78224 AL	60/162-32	JD-33
AL.58730	JD.58730 AL	60/162-35	JD-31	AL.78869	26/78869 AL	60/161-34	JD-33,34
AL.58739	JD.25644 AL	26/1918-3	JD-41	AL.78870	26/78870 AL	60/162-34	JD-33,34
AL.58803		26/967-1	JD-44	AL.81154		62/930-58	JD-97
AL.59997	ATX.250/004	26/700-17	JD-89	AL.81346	15/1453	62/920-16	JD-96,114
AL.60161	JAL.60161	26/497-46	JD-81	AL.81437	15/1498	62/920-19	JD-96
AL.60324	26/63124 AL	26/872-15	JD-102	AL.82491	26/3211 JD	26/449-10	JD-67
AL.60565	JAL.27221	26/688-2	JD-95	AR.1000417	26/100417 AR	26/71-42	JD-18
AL.61021	26/61021 AL	26/874-4	JD-102	AR.100424	26/12459 RE	26/70-43	JD-18
AL.61448		26/6407-5	JD-71	AR.100442		26/33-153	JD-14
AL.61764	JD.61764 AL	60/162-31	JD-31	AR.100616		26/33-156	JD-14
AL.62451		26/6402-1	JD-71	AR.100632		26/71-157	JD-19
AL.62452		26/6403-12	JD-67	AR.100638	JD.100638 AR	26/70-157	JD-19
AL.63351		26/6407-6	JD-71	AR.100646	JD.100646 AR	26/31-156	JD-14
AL.63606		26/6402-2	JD-71	AR.100673		26/33-156	JD-14
AL.63617		26/6451-3	JD-72	AR.100960	JD.100646 AR	26/31-156	JD-14
AL.63619		26/6402-4	JD-71	AR.101278	26/101278 AR	60/97-17	JD-32,34
AL.64120		26/6402-5	JD-71,72	AR.102267	26/16924 RE	26/71-45	JD-18
AL.64121		26/6402-3	JD-71	AR.102268	26/16925 RE	26/70-45	JD-18
AL.64125		26/6405-2	JD-71	AR.102295	26/102295 AR	26/71-40	JD-18
AL.64127	26/34709 AL	26/6403-8	JD-67	AR.102297	26/102297 AR	26/71-41	JD-18
AL.64190		26/966-1	JD-44	AR.102298	26/102298 AR	26/70-41	JD-18
AL.64253		26/6405-4	JD-72	AR.102675	26/14194 DD	26/101-21	JD-22
AL.64254		26/6405-1	JD-71	AR.102678	JD.40259	26/100-21	JD-22
AL.64255	26/55943 AL	26/6403-9	JD-67	AR.1729R	FE.6548	26/168-4A	JD-35
AL.64338	1861.924.102	26/221-25	JD-46,47	AR.21283	5871/25	70/2930-76	JD-37
AL.64340	1862.140.003	26/221-31	JD-48,51	AR.26375	JR.53169	26/335-2	JD-56
AL.64759	332.0002.10	26/221-34	JD-49	AR.26382		26/145-20	JD-25
AL.64946	26/32070 AL	26/1912-19	JD-40	AR.26480	JD.26480	26/461-16	JD-75
AL.64947	26/32070 AL	26/1912-19	JD-40	AR.27977	JAR.27977	26/186-4	JD-29
AL.64948	633.1129.09	26/200-200K	JD-49,51	AR.36044	963 K	60/161-40	JD-112
AL.65077	JAL.35999	62/919-14	JD-96	AR.3769R	JD.3769 AR	26/704-9	JD-89
AL.65501	JD.84228	60/161-8	JD-30,31	AR.39041	JR.39041	26/6619-1	JD-86
AL.65871		26/422-9	JD-65	AR.39052	26/39052 AR	26/613-1	JD-86
AL.66088	3182.001.003	26/232-11	JD-51,52	AR.39128	26/39128 AR	26/317-12	JD-56
AL.66183	1861.928.102	26/221-24	JD-47,48,49,50	AR.39164	JAR.39164	26/6239-1K	JD-56
AL.66414	10/250381	26/1971-3	JD-44	AR.41171	JD.41171 AR	26/165-86	JD-36,37
AL.66918		26/226-3	JD-54	AR.43634	JD.43634 AR	60/97-20	JD-32,33,34
AL.66989	13/1443	70/4170-25	JD-100	AR.45723 x 6	26/45723 K6	26/3-51	JD-9
AL.66992	26/35675 AL	26/870-20	JD-102	AR.48675	JD.48675	26/143-14	JD-26
AL.67034		26/227-3	JD-54	AR.48773	26/48773 R	26/165-85	JD-36
AL.67046	132.0602.11	26/200-36	JD-46,47,48,51	AR.49025	26/49025 AR	26/11-51	JD-6

Las referencias originales tienen un propósito identificativo.
 Nuestras piezas no son originales.

Part numbers are quoted for reference purposes only.
 Our parts and accessories are not original.



**LISTA DE REFERENCIAS CRUZADAS (OEM → BEPCO)
CROSS REFERENCES (OEM → BEPCO)**

REF. OEM OEM REF.	REF. ANTIGUA OLD REF.	REF. N° ORDER N°	PAGINA PAGE	REF. OEM OEM REF.	REF. ANTIGUA OLD REF.	REF. N° ORDER N°	PAGINA PAGE
AR.49427	JAR.49427	26/6633-1	JD-85	AR.73628	JD.73628AR	26/37-153	JD-14
AR.49563	JAR.49563	26/1956-1	JD-39	AR.74606	26/74606 AR	26/470-31	JD-74
AR.49592	JD.49592	26/461-15	JD-75	AR.74662	JD.74662	26/144-150	JD-25
AR.50041	JD.50041	60/111-12	JD-30,31,32,33,34,113	AR.74814 x 6 +			
AR.51741		26/34-154	JD-14	AR.77748 x 1	JD.2001437	26/2-51	JD-6
AR.51902	26/51902 AR	26/35-45	JD-10,11,13	AR.75603	JD.28072	60/240-2	JD-30,31,32,33,34,113
AR.51903	26/51903 AR	26/35-47	JD-10,11	AR.76290	JD.76290 AR	26/130-53	JD-111
AR.52361	JAR.52361	26/906-4	JD-85	AR.77411	JD.77411	26/143-13	JD-26
AR.52372	JAR.52372	26/905-3	JD-85	AR.77747		26/6-51	JD-6
AR.52396	26/52396 AR	26/130-52	JD-111	AR.77762	26/77762 AR	26/33-49	JD-10,11,13
AR.52506	26/52506 AR	26/449-8	JD-67	AR.77914	JD.40259	26/100-21	JD-22
AR.52729	JD.40259	26/100-21	JD-22	AR.78041		26/31-49	JD-10,11,13
AR.52785		26/6642-1	JD-86	AR.78192	JAT.21534	26/86-11	JD-29
AR.52861	26/58606 AR	26/470-201	JD-74	AR.78310	26/30355 T	26/33-48	JD-10,11
AR.53392	26/53392 AR	26/500-6	JD-69	AR.79679	JD.79679 AR	60/161-37	JD-32
AR.53630	JD.203887	26/71-154	JD-19	AR.79680	JD.79680 AR	60/162-37	JD-32
AR.54552		26/33-154	JD-14	AR.79868	26/11515 RE	26/33-51	JD-10,11,13
AR.55617		26/131-51	JD-24	AR.79941	26/79941 AR	60/161-11	JD-31,32
AR.55619		26/131-52	JD-24	AR.79942	26/79942 AR	60/162-11	JD-31,32
AR.55695	26/55695 AR	26/758-4	JD-90,91	AR.80652	JD.80652 AR	60/161-150	JD-32,33,34
AR.55759	26/55759 AR	26/34-48	JD-10,11,13	AR.80653	JD.80653 AR	60/162-150	JD-32,33,34
AR.56694	10/3224	70/1987-16	JD-100	AR.83610	JD.83610 AR	26/31-153	JD-14
AR.58606	26/58606 AR	26/470-201	JD-74	AR.84228	JD.84228	60/161-8	JD-30,31
AR.58607	26/58607 AR	26/470-29	JD-74	AR.85250	26/27018 AT	26/130-41	JD-24
AR.58609	JAR.58609	26/470-27	JD-74	AR.85323	JD.36265	26/187-7	JD-29
AR.59621		26/87-7	JD-21	AR.85618		26/113-3	JD-23
AR.60701		26/87-6	JD-21	AR.86595	JD.41171 AR	26/165-86	JD-36,37
AR.61073	26/48773 R	26/165-85	JD-36,37	AR.86598	5870/24	70/2930-70	JD-37
AR.61287	26/13268 RE	26/71-44	JD-18	AR.86599	JD.86599	26/165-83	JD-36,37
AR.61351	JAR.61351	26/93-3	JD-20	AR.86600	5871/27	70/2930-95	JD-37
AR.61352	JAR.61352	26/93-4	JD-20	AR.86745	26/86745 AR	60/111-27	JD-32,33,34
AR.61538	JD.61538	26/143-12	JD-26	AR.86755	JAR.86755	60/111-29	JD-32,33,34
AR.62978	26/62978 AR	26/90-29B	JD-21	AR.87736	26/87736 AR	26/33-50	JD-10,11,13
AR.62979	JD.62979	26/90-29A	JD-21	AR.87738	26/19283 RE	26/33-52	JD-10,11,13
AR.63060	JD.4083015	26/35-155	JD-14	AR.87753		26/34-153	JD-14
AR.63095	JD.63095 AR	26/13-51	JD-6	AR.89381		60/156-2	JD-34
AR.63103	26/63103 AR	26/60-6	JD-22	AR.89563	26/89564 AR	26/117-44	JD-23
AR.63105	26/63103 AR	26/60-6	JD-22	AR.89564	26/89564 AR	26/117-44	JD-23
AR.63269	JD.203850	26/70-158	JD-19	AR.89691	JD.36265	26/187-7	JD-29
AR.63270	JD.203849	26/71-158	JD-19	AR.90023	26/90024 AR	26/117-45	JD-23
AR.63272	JD.63272 AR	26/31-154	JD-14	AR.90024	26/90024 AR	26/117-45	JD-23
AR.63587	JAR.63587	26/495-54	JD-82	AR.90550		26/31-50	JD-10,11,13
AR.63588	26/75389 AH	26/497-52	JD-82	AR.91660	JAT.18009	26/82-5	JD-20
AR.63590	JAR.63590	26/497-53	JD-82	AR.91895	13/1443	70/4170-25	JD-100
AR.63592	JAR.63592	26/495-53	JD-82	AR.92416		26/130-50	JD-24
AR.63831	JD.63831 AR	26/100-150	JD-22	AR.92417	JAR.92418	26/130-51	JD-24
AR.63938	JD.203888	26/70-154	JD-19	AR.92777	JD.40259	26/100-21	JD-22
AR.65260	26/27018 AT	26/130-41	JD-24	AR.92893	26/11036 RE	26/13-11	JD-4,5
AR.65502	JD.200455 K6	26/34-152	JD-14	AR.92903	JAR.92418	26/130-51	JD-24
AR.65507	26/65507 AR	26/37-5	JD-10,11,12,13,14	AR.93629		26/33-155	JD-14
AR.65602	JD.65602 AR	26/31-152	JD-14	AR.94126	JAR.94126	26/61-1	JD-22
AR.67942	26/67942 AR	26/11-14	JD-4,5	AR.94510	JD.94510 AR	60/240-3	JD-30,32,33,34
AR.68188		26/33-150	JD-12	AR.95932	26/95932 AR	26/6-12	JD-4,5
AR.70106	9677	60/161-152	JD-34	AR.96389		26/33-151	JD-12,13
AR.70107	9678	60/162-152	JD-34	AR.96613		26/6642-1	JD-86
AR.70436	15/06804 JD	62/930-25	JD-97,114	AR.97178	26/12459 RE	26/70-43	JD-18
AR.70436	15/70436 AR	62/930-86	JD-97,114	AR.97710	JD.76290 AR	26/130-53	JD-111
AR.70633	26/70633 AR	26/34-46	JD-10,11	AR.97786	26/16925 RE	26/70-45	JD-18
AR.70633	26/70633 AR	26/34-46	JD-13	AR.98098	JD.94510 AR	60/240-3	JD-30,32,33,34
AR.71080 x 4	26/21138 K4	26/3-14	JD-7	AR.9834		26/131-50	JD-24
AR.71080 x 4	26/71080 K4	26/3-14	JD-8	AR.98845	JD.203899	26/70-155	JD-19
AR.71591		26/31-46	JD-10,11	AR.98850	JD.73628AR	26/37-153	JD-14
AR.71593		26/31-48	JD-10,11	AR.98851	JD.203898	26/71-155	JD-19
AR.71617	26/71617 AR	26/37-2	JD-10,11,13	AR.98852		26/6097-1	JD-21
AR.71618	26/71618 AR	26/37-4	JD-10,11,13	AT.10611	5870/21	70/2930-51	JD-37
AR.71992	26/71992 AR	26/71-43	JD-18	AT.13740	JD.13740	26/152-2	JD-28,38
AR.71994	26/16924 RE	26/71-45	JD-18	AT.16431	JAT.16431	26/305-11	JD-63
AR.72079	JD.72079 AR	26/31-155	JD-14	AT.17387	1087/PK	60/111-3	JD-30,112
AR.72868	JAR.72868	26/6099-2	JD-38	AT.18009	JAT.18009	26/82-5	JD-20
AR.72910	JAR.72910	26/6099-1	JD-38	AT.18030	26/18030 AT	26/1-24	JD-4,7,8
AR.72949	JD.72949	26/842-4	JD-98	AT.18031	26/18031 AT	26/1-23	JD-4,7
AR.72950	JD.72950	26/842-5	JD-98	AT.18155	JAR.61351	26/93-3	JD-20
AR.72951	JAR.72951	26/6099-3	JD-38	AT.18156	JAR.61352	26/93-4	JD-20
AR.73277 x 6	JD.73277 K6	26/3-52	JD-9	AT.19793	26/53392 AR	26/500-6	JD-69

Las referencias originales tienen un propósito identificativo.
Nuestras piezas no son originales.

Part numbers are quoted for reference purposes only.
Our parts and accessories are not original.



"THE RELIABLE SERVICE"



LISTA DE REFERENCIAS CRUZADAS (OEM → BEPCO)
CROSS REFERENCES (OEM → BEPCO)

REF. OEM OEM REF.	REF. ANTIGUA OLD REF.	REF. N° ORDER N°	PAGINA PAGE	REF. OEM OEM REF.	REF. ANTIGUA OLD REF.	REF. N° ORDER N°	PAGINA PAGE
AT.19807	26/39035 AL	26/490-11	JD-79	AT.27227	JAT.27227	26/500-4	JD-69
AT.19808	26/41600 AL	26/490-10	JD-79	AT.27230	26/27230 AT	26/470-30	JD-74
AT.19838	JAT.19838	26/688-1	JD-95	AT.27371	26/27371 AT	26/972-1	JD-42
AT.19850	JAT.19850	26/725-1A	JD-95	AT.27372		26/177-17	JD-42
AT.19980	JD.72950	26/842-5	JD-98	AT.27535	26/27535 AT	26/1920-1	JD-40
AT.19981	JD.72949	26/842-4	JD-98	AT.27622	JAT.27622	26/113-2	JD-23
AT.19996	JAT.30053	26/259-7	JD-57	AT.27651	26/30194 AT	26/956-3	JD-43
AT.20094	26/2094 T	26/303-27	JD-63	AT.28055	JD.26312 AL	26/534-2	JD-84
AT.20095	26/2094 T	26/303-27	JD-63	AT.29054	JD.29054	26/151-9	JD-28
AT.20703	JAT.20703	26/371-18	JD-61	AT.29073	26/29073 AT	26/953-2	JD-43
AT.20728	JD.20728	60/161-7	JD-30,112	AT.29619	26/27018 AT	26/130-41	JD-24
AT.20854	26/20854 AT	26/540-4	JD-83	AT.29707	26/29707 AT	26/303-26	JD-63
AT.20911	26/20911 AT	26/105-5	JD-28,38	AT.30053	JAT.30053	26/259-7	JD-57
AT.21138 x 3	26/21138 K3	26/3-12	JD-7	AT.30194	26/30194 AT	26/956-3	JD-43
AT.21138 x 4	26/21138 K4	26/3-14	JD-7	AT.31250	JAT.31250	26/50-3	JD-17
AT.21138 x 4	26/71080 K4	26/3-14	JD-8	AT.31303	26/31206 K	26/700-14	JD-89
AT.21138 x 6	26/21138 K6	26/3-16	JD-8	AT.31325	JD.54635	26/495-18	JD-80
AT.21140 x 3+				AT.31326	JAT.31326	26/495-55	JD-77
AT.21139 x 1	26/21139 K3	26/2-12	JD-4	AT.31327	JAT.31327	26/496-51	JD-77
AT.21140 x 4+				AT.31328	JAT.31328	26/497-54	JD-77
AR.81786 x 1	26/81786 K4	26/2-15	JD-4,5	AT.31329	JAT.31329	26/495-56	JD-77
AT.21140 x 4+				AT.31413	JAT.31413	26/919-11	JD-96
AT.21139 x 1	26/21140 K4	26/2-14	JD-4	AT.31619	JD.18156	26/172-6	JD-38
AT.21140 x 4+				AT.31756	JD.36265	26/187-7	JD-29
RE.60350 x 1	26/81786 K4	26/2-15	JD-4	AT.32240	5870/24	70/2930-70	JD-37
AT.21140 x 6+				AT.46457	26/20854 AT	26/540-4	JD-83
AR.81786 x 1	26/81786 K6	26/2-17	JD-5	AT.54955	26/20854 AT	26/540-4	JD-83
AT.21140 x 6+				AT.85153	JD.36265	26/187-7	JD-29
AT.21139 x 1	26/21140 K6	26/2-16	JD-5	AT.85174	JAR.27977	26/186-4	JD-29
AT.21534	JAT.21534	26/86-11	JD-29	AZ.14506	220/01034	26/931-11	JD-97
AT.21626	26/102295 AR	26/71-40	JD-18	AZ.14507	JAZ.14507	26/933-8	JD-97
AT.21627	26/100417 AR	26/71-42	JD-18	JD.15473	JD.15473	26/180-5	JD-29
AT.21675	1861.289.502	26/212-10	JD-46,47,48,49,50	AZ.18968	2467	60/161-19	JD-112,113
AT.21693	JAT.21693	26/376-10	JD-61	AZ.20623	26/20623 AZ	60/161-35	JD-31,112,113
AT.21754	26/21754 AT	26/758-5	JD-90,91	AZ.20625	9654 K	60/161-41	JD-112,113
AT.21780	JAT.21780	26/256-7	JD-55	AZ.22878	311/F	60/97-39	JD-112,113
AT.21795	JAT.21795	26/165-82	JD-36,37	AZ.23575	510.E.385	62/920-18	JD-96
AT.22034	26/38236 AL	26/422-6	JD-64	AZ.23642	725	60/161-42	JD-113
AT.22143	JAT.22143	26/6627-4	JD-87	AZ.24175	26/24175 AZ	26/168-4	JD-35
AT.22199	JAT.22199	26/6627-3	JD-87	AZ.25498		60/162-20	JD-112,113
AT.22562	26/22562 AT	26/1-25	JD-5,8	AZ.25867	9655	60/162-41	JD-113
AT.22926	JT.22926 AT	26/239-1	JD-54	AZ.26007	9648	60/162-40	JD-113
AT.22953	JAT.22953	26/1176-1	JD-95	AZ.26091	9556	60/161-43	JD-113
AT.22961	JD.22961	26/143-10	JD-26	AZ.30757	JD.30757 AZ	60/161-31	JD-31,112,113
AT.22963	JD.22963	26/143-11	JD-26	AZ.30758	9650	60/162-31	JD-112
AT.23175		26/523-2	JD-83	AZ.30758	JD.61764 AL	60/162-31	JD-113
AT.23201	26/13255 RE	26/70-40	JD-18	AZ.40478	26/38236 AL	26/422-6	JD-64
AT.23636	26/58606 AR	26/470-201	JD-74	B.1027	26/JD.2214 K	26/460-15	JD-75
AT.23637	JAT.23637	26/470-28	JD-74	B.1028	26/JD.2215 K	26/460-16	JD-75
AT.23657	26/26682 AL	26/712-15	JD-95	B.1029	26/JD.2216 K	26/460-17	JD-75
AT.23659	26/26683 AL	26/712-16	JD-95	B.1130		26/31-45	JD-10,11,13
AT.23759		26/703-6	JD-88	B.1131		26/31-46	JD-10,11,13
AT.24252	JAT.24252	26/82-6	JD-20	B.1132		26/31-47	JD-10,11
AT.24350	JAT.24350	26/490-17	JD-77	B.1133		26/31-48	JD-10,11
AT.24356	JAT.24356	26/493-21	JD-77	B.1134		26/31-49	JD-10,11,13
AT.24357	JAT.24357	26/493-20	JD-77	B.1135		26/31-50	JD-10,11,13
AT.24691	26/24691 AT	26/973-1	JD-42	B.1230	26/48637 K	26/37-1	JD-10,11,13
AT.24692	26/24692 AT	26/971-1	JD-42	B.1231	26/B.1231	26/37-3	JD-10,11
AT.24693	26/24693 AT	26/970-1	JD-42	B.1262	26/B.1262	26/475-13	JD-74
AT.24699	3151.080.001	26/232-3	JD-46,47,48,50,52	B.1263	26/B.1263	26/475-14	JD-74
AT.25490	JD.26311 AL	26/543-1	JD-84	B.1264	26/B.1264	26/475-15	JD-74
AT.25910	JAT.25910	26/939-21	JD-97	B.177R	JB.177 R	26/430-2	JD-66
AT.26190	JD.26190	26/60-5	JD-22	B.18402	26/7173 K	26/184-2	JD-39
AT.26373		26/145-19	JD-25	B.60805		26/608-5	JD-86
AT.26382	26/39026 AL	26/490-15	JD-80	B.930	26/21138 K3	26/3-12	JD-7
AT.26424	JAT.26424	26/762-13	JD-91	B.932	26/21138 K4	26/3-14	JD-7
AT.26471	26/26471 AT	26/839-203	JD-98	B.932	26/71080 K4	26/3-14	JD-8
AT.26472	26/26472 AT	26/839-204	JD-98	B.934	26/21138 K6	26/3-16	JD-8
AT.26574	26/26574 TN	26/6684-1	JD-62	CE.13459	JCE.13459	26/349-9	JD-60
AT.26632	JAL.69560	26/317-11	JD-63	CE.13928	26/13928 CE	26/530-16	JD-84
AT.26771	26/26771 AT	26/239-2	JD-54	CE.14071	26/14071 CE	26/187-200	JD-39
AT.26826	JAT.26826	26/376-9	JD-61	CE.14605	JL.29226	26/351-3	JD-60
AT.27018	26/27018 AT	26/130-41	JD-24	CE.14750	26/14750 CE	26/530-17	JD-84
AT.27132	JD.63588	26/497-9	JD-80	CE.15924	26/14071 CE	26/187-200	JD-39

Las referencias originales tienen un propósito identificativo.
Nuestras piezas no son originales.

Part numbers are quoted for reference purposes only.
Our parts and accessories are not original.



LISTA DE REFERENCIAS CRUZADAS (OEM → BEPCO)
CROSS REFERENCES (OEM → BEPCO)

REF. OEM OEM REF.	REF. ANTIGUA OLD REF.	REF. N° ORDER N°	PAGINA PAGE	REF. OEM OEM REF.	REF. ANTIGUA OLD REF.	REF. N° ORDER N°	PAGINA PAGE
D.2361R	JD.2361 R	26/418-2	JD-66,86,87	JD.9911	26/9911 JD	26/486-23	JD-69
DD.13271	26/13256 RE	26/70-44	JD-18	L.12491	AT.6/S 10	26/785-7	JD-95
DD.13273	26/10535 RE	26/70-42	JD-18	L.12824	1009	60/111-28	JD-30
DD.13483	JD.40259	26/100-21	JD-22	L.23660	JL.23660	26/914-1	JD-96
DD.14194	26/14194 DD	26/101-21	JD-22	L.24751	JL.24751	26/704-10	JD-95
DD.14195	JD.40259	26/100-21	JD-22	L.25879	JL.25879	26/501-7	JD-76
DD.14292	JD.40259	26/100-21	JD-22	L.25880	JL.25880	26/501-9	JD-76
DD.14295	JD.40259	26/100-21	JD-22	L.26759	JL.26759	26/203-4	JD-53
DD.14529	26/14529 DD	26/31-53	JD-10,12,13	L.26762	JL.26762	26/206-4	JD-53
DDX.4375	26/63103 AR	26/60-6	JD-22	L.26763	JL.26763	26/219-4	JD-53
DE.11572	JD.1036/DX	26/180-6	JD-29	L.26764	JL.26764	26/204-4	JD-53
DE.12298	JD.12298	26/181-203	JD-39	L.26932	JL.26932	26/6678-3	JD-62
DE.12410		26/165-84	JD-37	L.26933 +			
DE.12447	26/19730 AL	26/470-202	JD-74	L.26935 +			
DE.12465	JD.15473	26/180-5	JD-29	L.26936	JAF.3070	26/6683-3	JD-62
DE.13523		26/189-201	JD-39	L.26936 +			
DE.13524		26/189-200	JD-39	L.41788 +			
DE.14410	JD.17910	26/176-28	JD-42	L.29943	JL.41788 K	26/6683-1	JD-62
DE.14411	26/14411 DE	26/176-29	JD-42	L.26940	JD.26940	26/6678-6	JD-62
DE.14419	JAL.24526	26/174-13	JD-42	L.27182	JL.27182	26/217-11	JD-53
DE.15970	JDE.15970	26/740-14	JD-94	L.27821	26/21553 T	26/477-11	JD-69
DE.15971	JDE.15971	26/744-6	JD-94	L.28281	JD.3769 AR	26/704-9	JD-89
DE.15972	JDE.15972	26/743-7	JD-94	L.28314	26/51187 R	26/501-6	JD-76
DE.15973	JDE.15973	26/746-5	JD-94	L.28315		26/501-5	JD-76
DE.16167	JDE.16167	26/744-5	JD-94	L.28372	JD.25822	26/759-15	JD-90
DE.16221	JD.38645	26/497-10	JD-80	L.28374	JL.28374	26/766-4	JD-90
DE.16222	26/37505 AL	26/495-17	JD-80	L.28376	JCE.13459	26/349-9	JD-60
DE.16223	26/38638 AL	26/490-14	JD-79	L.28519	26/28519 L	26/169-4	JD-35
DE.16308	JAT.24357	26/493-20	JD-77	L.28519		26/169-11	JD-35
DE.16309	JAT.31327	26/496-51	JD-77	L.28520	26/28520 L	26/951-5	JD-43
DE.16310	JAT.31326	26/495-55	JD-77	L.28531	JL.28531	26/255-6	JD-55
DE.16311	JAT.24356	26/493-21	JD-77	L.28660	JL.28660	26/288-6	JD-57
DE.16312	JAT.31328	26/497-54	JD-77	L.28661	JL.28661	26/281-3	JD-57
DE.16313	JAT.31329	26/495-56	JD-77	L.28662	JL.28662	26/265-17	JD-56
DE.16384	JDE.16384	26/490-18	JD-77	L.28663	JL.28663	26/262-8	JD-57
DE.16386	JDE.16386	26/491-21	JD-77	L.28664	JL.28664	26/263-10	JD-57
DE.16389	JDE.16389	26/740-13	JD-94	L.28665	JL.28665	26/295-2	JD-57
DE.16390	JDE.16390	26/746-4	JD-94	L.28666	JL.28666	26/287-2	JD-56
DE.16870	26/26682 AL	26/712-15	JD-95	L.28712	JL.28712	26/303-21	JD-63
DE.16871	26/26683 AL	26/712-16	JD-95	L.28930	JL.28930	26/762-14	JD-91
DX.10131	JD.1036/DX	26/180-6	JD-29	L.28988	JL.28988	26/510-7	JD-83
EC.16391	JEC.16391	26/746-6	JD-94	L.29199	JD.29199 L	26/530-15	JD-84
F.2570R		26/689-4	JD-58	L.29226	JL.29226	26/351-3	JD-60
F.2681R	ATX.25/R	26/709-1	JD-89	L.29227	JL.29227	26/348-4	JD-60
JD.10107	26/10107 JD	26/230-6	JD-45,46,47,48	L.29230	JL.29230	26/215-6	JD-53
	26/10107 JD	26/230-6	JD-49,50,51,52	L.29246		26/210-12	JD-53
JD.10243	26/10243 JD	26/231-8	JD-49	L.29263	JD.29263	26/153-17	JD-27
JD.10248	26/10248 JD	26/231-7	JD-50,52	L.29283	JL.29283	26/272-1	JD-57
JD.10249		26/6410-9	JD-71	L.29284	JL.29284	26/282-3	JD-57
JD.10250		26/6433-3	JD-71	L.29373	JL.29373	26/163-18	JD-35
JD.10252 +				L.29374	JL.29374	26/163-17	JD-35
JD.10253		26/6451-3	JD-72	L.29872	JL.29872	26/85-8	JD-28,58
JD.10407		26/6451-4	JD-72	L.31016	26/31016 L	26/417-4	JD-64
JD.21	JD.21	26/446-8	JD-67	L.31017	26/31017 L	26/417-8	JD-65
JD031K	JD031K	61/831-10	JD-101	L.31055	JL.31055	26/551-2	JD-55
JD031K/HM	JD031K/HM	61/831-11	JD-101	L.31199	JD.31199	26/6678-5	JD-62
JD.3039	26/3039 JD	26/449-9	JD-67	L.31503	JL.31503	26/262-7	JD-57
JD.3211	26/3211 JD	26/449-10	JD-67	L.31795	JD.31795	26/153-19	JD-27
JD.8194 +				L.31839	JL.31839	26/396-2	JD-66
JD.8230	JD.8934 K	26/462-15	JD-75	L.31840	26/34040 L	26/396-1	JD-66
JD.8407	JD.8407	26/479-10	JD-74	L.32029		26/237-2	JD-53
JD.8410	JD.8410	26/479-11	JD-74	L.32456	JD.32456	26/153-22	JD-27
JD.8412	26/8412 JD	26/479-12	JD-74	L.32468	26/32468 L	26/154-23	JD-27
JD.8905 +				L.3247	JD.324 L	26/238-1	JD-54
JD.8239	JD.8239 K	26/463-15	JD-75	L.32648		26/684-8	JD-58
JD.8913 +				L.32649		26/682-9	JD-58
JD.7445	JD.8913 K	26/462-16	JD-75	L.32862	JL.32862	26/6632-1	JD-85
JD.8929 +				L.32867	JL.36202	26/387-5	JD-61
JD.8251	JD.8251 K	26/463-16	JD-75	L.32953	D.7048/S	26/4040-3	JD-103
JD.8969 +				L.32954	D.7048/F	26/4041-5	JD-103
JD.7445	JD.8969 K	26/462-17	JD-75	L.32955	D.7050/S	26/4074-3	JD-103
JD.9117 +				L.32956	D.7050/F	26/4075-3	JD-103
JD.9053		26/6451-2	JD-72	L.33213	26/37327 L	26/546-9	JD-83
JD.9858	JD.9858	26/618-2	JD-86	L.33483	26/33483 L	26/417-5	JD-64

Las referencias originales tienen un propósito identificativo.
Nuestras piezas no son originales.

Part numbers are quoted for reference purposes only.
Our parts and accessories are not original.



"THE RELIABLE SERVICE"



LISTA DE REFERENCIAS CRUZADAS (OEM → BEPCO)
CROSS REFERENCES (OEM → BEPCO)

REF. OEM OEM REF.	REF. ANTIGUA OLD REF.	REF. N° ORDER N°	PAGINA PAGE	REF. OEM OEM REF.	REF. ANTIGUA OLD REF.	REF. N° ORDER N°	PAGINA PAGE
L.33534	26/33534 L	26/759-19	JD-91	L.41188	JT.30522	26/686-9	JD-58
L.33535	JL.28374	26/766-4	JD-90	L.41189	JT.30521	26/686-8	JD-58
L.33536	26/33536 L	26/759-16	JD-91	L.41551	JT.21641	26/333-3	JD-58
L.33539	26/33539 L	26/759-17	JD-91	L.41787	JL.41787	26/6678-2	JD-62
L.33863	JL.33863	26/6681-1	JD-62	L.41802	JL.41802	26/6679-2	JD-62
L.33864	JL.33864	26/6680-2	JD-62	L.41803 +			
L.33865	JL.33865	26/6679-3	JD-62	L.41804	JL.41803 K	26/6685-3	JD-62
L.33894	JD.33894	26/446-14	JD-67	L.41819	JL.41819	26/6678-4	JD-62
L.33909	26/33909 L	26/417-7	JD-65	L.41926		26/6400-3	JD-70
L.33910	26/33910 L	26/417-6	JD-64	L.41927		26/6400-1	JD-70
L.34040	26/34040 L	26/396-1	JD-66	L.41932		26/685-5	JD-58
L.34041	JL.31839	26/396-2	JD-66	L.42056	26/42056 L	26/759-18	JD-91
L.34070	26/21778 T	26/485-19	JD-69	L.42079	JT.21546	26/535-10	JD-83
L.34071	26/34071 L	26/485-16	JD-69	L.42080	26/37327 L	26/546-9	JD-83
L.34072	26/21778 T	26/485-19	JD-69	L.42187	26/42187 L	26/6632-5	JD-85
L.34168	JT.28907	26/387-2	JD-61	L.42314	JT.24485	26/6672-1	JD-59
L.34171	JT.29453	26/387-1	JD-61	L.55040	D.8075	26/4047-19	JD-106
L.34242	26/34242 L	26/303-24	JD-63	L.55437	26/21778 T	26/485-19	JD-69
L.34353	JT.28908	26/387-3	JD-61	L.55789	26/55789 L	26/761-17	JD-91
L.34366		26/500-7	JD-76	L.55844 +			
L.34401	JT.21641	26/333-3	JD-58	L.41804	JL.41803 K	26/6685-3	JD-62
L.34432	JL.34432	26/6639-1	JD-85	L.55980	26/60135 R	26/188-200	JD-39
L.34443	JL.39807	26/579-2C	JD-82	L.56243	26/30349 T	26/416-6	JD-64
L.34455		26/6167-1	JD-37	L.56244	26/28473 T	26/416-6	JD-64,65
L.34555	26/34555 L	26/838-202	JD-98	L.56295	JL.56295	26/154-70	JD-27
L.34569	JL.34569	26/6637-1	JD-85	L.56296	JL.56296	26/153-70	JD-27
L.34572	26/34572 L	26/6632-3	JD-85	L.56578		26/546-10	JD-83
L.34832	JD.34832 L	60/162-102	JD-30,31	L.57248	26/57248 L	26/871-14	JD-102
L.34898	JD.34898	26/153-21	JD-27	L.57280	D.8050	26/4012-25	JD-105
L.34920	JD.34920	26/153-20	JD-27	L.57284	D.8051	26/4072-29	JD-105
L.34921	JD.34921	26/154-21	JD-27	L.57285	D.8052	26/4073-18	JD-105
L.34922	JD.34922	26/154-22	JD-27	L.57290	D.8053	26/4000-38	JD-105
L.35542	JT.21429	26/375-2	JD-61	L.57725		26/485-20	JD-69
L.35639	JT.25324	26/539-1	JD-84	L.57726	26/34071 L	26/485-16	JD-69
L.35654	JT.21527	26/541-3	JD-83	L.57904	D.8054/A	26/4022-23	JD-105
L.35843	26/35843 L	26/141-6	JD-27	L.57905	D.8055/A	26/4021-24	JD-105
L.35844	JT.22960	26/6628-1	JD-87	L.57908	D.8054	26/4022-20	JD-105
L.35960		26/500-8	JD-76	L.57909	D.8055	26/4021-20	JD-105
L.36075	D.8025	26/4072-28	JD-104	L.57963 +			
L.36085	26/36085 L	26/577-3	JD-82	47M7003 +			
L.36086	JAL.36086	26/577-2	JD-82	L.57686	JAF.3093	26/483-3K	JD-69
L.36201	JL.36201	26/387-7	JD-61	L.57977	D.8076	26/4047-18	JD-106
L.36202	JL.36202	26/387-5	JD-61	L.57978	D.8079	26/4071-10	JD-106
L.36606	D.8070	26/4071-9	JD-106	L.58229		26/486-20	JD-72
L.37327	26/37327 L	26/546-9	JD-83	L.58482	26/58482 L	26/530-18	JD-84
L.38063	JL.38063	26/202-4	JD-53	L.58547	26/23118 T	26/486-18	JD-69
L.38266	JL.36201	26/387-7	JD-61	L.59466	D.8056	26/4000-39	JD-105
L.38806	JL.28712	26/303-21	JD-63	L.59919	JT.29210	26/508-2	JD-72
L.39302		26/210-12	JD-53	L.60081		26/6400-6	JD-70
L.39803	26/30349 T	26/416-4	JD-64,65	L.60082		26/6400-2	JD-70
L.39804	26/28473 T	26/416-6	JD-64,65	L.60086		26/6450-3	JD-72
L.39807	JL.39807	26/579-2C	JD-82	L.60105		26/6430-6	JD-71
L.39950	JL.27182	26/217-11	JD-53	L.60106		26/6406-3	JD-71
L.39961		26/6400-8	JD-70	L.60110		26/6401-2	JD-70
L.39962		26/6400-7	JD-70	L.60111		26/6431-6	JD-71
L.39994		26/6431-5	JD-71	L.60319	D.8057	26/4012-26	JD-105
L.40004		26/6450-2	JD-72	L.60320	D.8058	26/4073-19	JD-105
L.40010		26/6430-5	JD-71	L.60335	D.8060	26/4047-15	JD-105
L.40012		26/6401-3	JD-70	L.60747		26/6462-2	JD-71
L.40017		26/6462-2	JD-71	L.61159	D.8061	26/4047-17	JD-105
L.40028		26/6431-4	JD-71	L.61201		26/6400-4	JD-70
L.40029		26/6406-1	JD-71	L.61202		26/6400-5	JD-70
L.40036	26/40036 L	26/6450-1	JD-71,72	L.61207		26/6404-1	JD-71
L.40041		26/6401-4	JD-70	L.61209	26/61209 L	26/6450-3	JD-72
L.40043		26/6430-3	JD-71	L.62236 +			
L.40268		26/6400-4	JD-70	L.31089 +			
L.40269		26/6400-5	JD-70	L.62237 +			
L.40645	JR.26858	26/837-1	JD-98	L.62240	26/3007 K	26/740-10	JD-94
L.40771		26/486-21	JD-72	L.62238 +			
L.41121		26/6401-1	JD-70	L.62239	26/62239 K	26/747-3	JD-94
L.41123		26/6406-2	JD-71,72	L.62258	26/62258 L	26/6632-4	JD-85
L.41144	26/41144 L	26/759-20	JD-91	L.62405	JT.22474	26/686-7	JD-58
L.41166	JT.28907	26/387-2	JD-61	L.62423	JT.21527	26/541-3	JD-83
L.41167	JT.28908	26/387-3	JD-61	L.62441		26/6167-1	JD-37

Las referencias originales tienen un propósito identificativo.
Nuestras piezas no son originales.

Part numbers are quoted for reference purposes only.
Our parts and accessories are not original.



LISTA DE REFERENCIAS CRUZADAS (OEM → BEPCO)
CROSS REFERENCES (OEM → BEPCO)

REF. OEM OEM REF.	REF. ANTIGUA OLD REF.	REF. N° ORDER N°	PAGINA PAGE	REF. OEM OEM REF.	REF. ANTIGUA OLD REF.	REF. N° ORDER N°	PAGINA PAGE
L.62442	JR.39178	26/6613-1	JD-86	R.43679		26/43-151	JD-17
L.62836	26/23170 T	26/486-17	JD-69	R.43883	26/43883 R	26/42-151	JD-17
L.62837	26/29199 T	26/486-15	JD-69	R.46113	JD.46113	26/144-20	JD-25
L.62838		26/486-20	JD-72	R.47076	JD.47076	26/450-200	JD-75
L.62839	26/23118 T	26/486-18	JD-69	R.47336		26/73-156	JD-19
L.63510		26/486-20	JD-72	R.47346		26/691-9	JD-59
L.64265	JT.21445	26/543-8	JD-83	R.47438		26/59-4	JD-20
L.64359	26/34040 L	26/396-1	JD-66	R.48000	JD.48000	26/119-3	JD-23
L.64361	JL.31839	26/396-2	JD-66	R.48291		26/73-154	JD-19
L.64734	JT.29210	26/508-2	JD-69,72	R.48595	JD.48595	26/762-200	JD-90
L.77647		26/4039-10	JD-108	R.48773	26/48773 R	26/165-85	JD-37
L.77648		26/4038-10	JD-108	R.48989	JR.48989	26/6098-2	JD-21
L.78727		26/4072-60	JD-108	R.49076	JR.49076	26/6627-3A	JD-87
M.1518T	26/1518 MT	26/476-10	JD-74	R.49515	26/97342 NR	26/75-43	JD-18
M.1746T	JM.1746 T	26/88-8	JD-28	R.49516	JR.49516	26/17-10	JD-19
M.2282T	26/2282 MT	26/474-1	JD-74	R.495R	JT.22101	26/398-2	JD-66
M.80373	JD.324 L	26/238-1	JD-54	R.49993	JR.49993	26/386-2	JD-61
N.150864	JD.150864	26/144-17	JD-25	R.50111	26/34040 L	26/396-1	JD-66
R.10093	JR.10093	26/6673-1	JD-59	R.50357	JD.50357 R	26/43-152	JD-17
R.105583	JR.39067	26/6617-1	JD-86	R.50358	JD.50358 R	26/42-152	JD-17
R.110990		26/4072-61	JD-108	R.50655	JR.50655	26/272-2	JD-57
R.114157	26/80243 R	26/73-45	JD-18	R.50703	26/50703 R	26/416-3	JD-64,65
R.114282	26/20088 T	26/15-6	JD-19	R.50704	26/50704 R	26/416-5	JD-64,65
R.121867		26/35-150	JD-12,13	R.50757	D.8077	26/4047-21	JD-106
R.125863	26/59448 R	26/73-43	JD-18	R.50758	D.8078	26/4071-11	JD-106
R.1662R x 2 +				R.50864	JR.50864	26/552-2	JD-55
R.20585		26/1-64	JD-4,7,8	R.51186		26/501-5	JD-76
R.26049		26/12-51	JD-6	R.51187	26/51187 R	26/501-6	JD-76
R.26149 x 1	JD.11454 K	26/621-7	JD-59	R.51726	26/51726 R	26/35-51	JD-10,11,12,13
R.26125	26/26125 R	26/45-10	JD-17	R.51735	26/51735 R	26/42-18	JD-17
R.26632	26/26632 R	26/461-25	JD-75	R.52251	26/52251 R	26/42-17	JD-17
R.26858	JR.26858	26/837-1	JD-98	R.52252	26/52252 R	26/43-17	JD-17
R.27173	JR.27173	26/6616-1	JD-86	R.52362	26/52362 R	26/838-201	JD-98
R.27174	JR.27174	26/6615-1	JD-86	R.52382	JR.52382	26/307-1	JD-56
R.28794	26/28794 R	26/169-3	JD-35	R.52789	26/52789 R	26/73-40	JD-18
R.28795	26/28519 L	26/169-4	JD-35	R.52989	JR.52989	26/523-1	JD-83
R.28795		26/169-11	JD-35	R.53169	JR.53169	26/335-2	JD-56
R.29018	JD.74662	26/144-150	JD-25	R.53382	JR.53382	26/90-29D	JD-21
R.30939		26/28-20	JD-9	R.53543 x 1 +			
R.31136	JR.31136	26/6671-1	JD-59	T.17882 x 1 +			
R.31142	JR.31142	26/6167-3	JD-37	AL.33105 x 1	JD.11454 K	26/621-7	JD-59
R.31630	JR.31630	26/6630-1	JD-86	R.53817	JR.53817	26/554-1	JD-55
R.34360	26/34360 R	26/6632-1A	JD-85	R.54189	JR.54189	26/550-2	JD-55
R.34656	26/34656 R	26/103-7	JD-38	R.54472		26/771-3	JD-93
R.34760		26/116-1	JD-23	R.54473		26/771-4	JD-93
R.34764	JD.60746	26/119-2	JD-23	R.54614	26/54614 R	26/90-29C	JD-21
R.34767	JD.48000	26/119-3	JD-23	R.54638	JR.54638	26/147-4	JD-26
R.36265	JD.36265	26/187-7	JD-29	R.54969	JR.54969	26/679-1	JD-59
R.38041	JR.38041	26/6612-1	JD-86	R.55127	JT.22942	26/6098-1	JD-21
R.38348	JR.38348	26/6634-1	JD-85	R.55182		26/73-155	JD-19
R.38358	26/38358 R	26/166-1	JD-37	R.55647	26/55647 R	26/28-10	JD-7,8
R.39016	26/39016 R	26/612-1	JD-86	R.55721		26/6283-2	JD-57
R.39017	JR.39017	26/6623-1	JD-86	R.56214	JT.30791	26/258-10	JD-55
R.39067	JR.39067	26/6617-1	JD-86	R.56278	JR.56278	26/387-6	JD-61
R.39068	JR.39068	26/6618-1	JD-86	R.56279		26/387-4	JD-61
R.39070	JR.39070	26/6621-1	JD-86	R.56434	7111/429	26/112-2	JD-35
R.39073	JR.39073	26/6622-1	JD-86	R.57160	JR.57160	26/6094-1	JD-20
R.39075	JR.39075	26/6624-1	JD-86	R.57292	JR.57292	26/542-1	JD-84
R.39076	JR.39076	26/6626-1	JD-86,87	R.57451	26/57451 R	26/28-11	JD-7,8
R.39078	JR.39078	26/6625-1	JD-86,87	R.59234	JR.39178	26/6613-1	JD-86
R.39178	JR.39178	26/6613-1	JD-86	R.59312	JR.59312	26/59-5	JD-20
R.39179		26/6641-1	JD-86	R.59447	26/80241 R	26/73-41	JD-18
R.39180		26/6640-1	JD-86	R.59449	26/80243 R	26/73-45	JD-18
R.39181		26/6629-1	JD-86	R.59488	26/59448 R	26/73-43	JD-18
R.39182	JD.39182 R	26/619-1	JD-86	R.59495		26/59-4	JD-20
R.39240	JR.39240	26/6611-1	JD-86	R.59961	26/59961 R	26/838-200	JD-98
R.39242	JR.39242	26/6610-1	JD-86	R.59991	JR.59991	26/863-14	JD-99
R.39259		26/316-9	JD-56	R.60089	26/60089 R	26/838-1	JD-98
R.39319	JD.39319	26/611-3	JD-86	R.60135	26/60135 R	26/188-200	JD-39
R.39613	JR.39613	26/6105-1	JD-28,38	R.60138	26/60138 R	26/182-9	JD-39
R.40615	JD.200456	26/35-152	JD-14	R.60139	26/60139 R	26/182-8	JD-39
R.40756	JD.40756 R	26/615-6	JD-86	R.60746	JD.60746	26/119-2	JD-23
R.42173		26/28-21	JD-9	R.60765	26/35843 L	26/141-6	JD-27
R.42281	26/35843 L	26/141-6	JD-27	R.63022	JR.39068	26/6618-1	JD-86

Las referencias originales tienen un propósito identificativo.
 Nuestras piezas no son originales.

Part numbers are quoted for reference purposes only.
 Our parts and accessories are not original.



"THE RELIABLE SERVICE"



LISTA DE REFERENCIAS CRUZADAS (OEM → BEPCO)
CROSS REFERENCES (OEM → BEPCO)

REF. OEM OEM REF.	REF. ANTIGUA OLD REF.	REF. N° ORDER N°	PAGINA PAGE	REF. OEM OEM REF.	REF. ANTIGUA OLD REF.	REF. N° ORDER N°	PAGINA PAGE
R.63605	JD.39182 R	26/619-1	JD-86	RE.10596	JAL.36919	26/107-6	JD-44
R.63629	JR.39017	26/6623-1	JD-86	RE.11036	26/11036 RE	26/13-11	JD-4.5
R.65620 +				RE.11345	JD.11345	26/131-21	JD-24
R.65621	JT.21617	26/692-21	JD-59	RE.11346	JD.11346	26/131-22	JD-24
R.66065		26/73-157	JD-19	RE.11347	JD.11347	26/131-23	JD-24
R.66090		26/115-2	JD-23	RE.11348	JD.11348	26/131-24	JD-24,111
R.66164	26/39016 R	26/612-1	JD-86	RE.11515	26/11515 RE	26/33-51	JD-10,11,13
R.66452		26/26-10	JD-9	RE.12261		26/6097-1	JD-21
R.67027	JR.59991	26/863-14	JD-99	RE.12459	26/12459 RE	26/70-43	JD-18
R.68283	JT.27465	26/115-1	JD-23	JAR.92418	JAR.92418	26/130-51	JD-24
R.68383	JR.39242	26/6610-1	JD-86	RE.12836	JAR.92418	26/130-51	JD-24
R.68384	JD.40756 R	26/615-6	JD-86	RE.13255	26/13255 RE	26/70-40	JD-18
R.68390	JR.31630	26/6630-1	JD-86	RE.13256	26/13256 RE	26/70-44	JD-18
R.68553	JR.39075	26/6624-1	JD-86	RE.13268	26/13268 RE	26/71-44	JD-18
R.70135	JD.70135 R	26/100-150P	JD-22	RE.13571	26/13571 RE	26/6-11	JD-4.5
R.70483	JR.49516	26/17-10	JD-19	RE.14448		26/6097-1	JD-21
R.70737	JD.70737	26/141-8	JD-27	RE.14953	JD.63095 AR	26/13-51	JD-6
R.71918		26/75-46	JD-19	RE.15595	26/15595 RE	26/33-53	JD-10,12,13
R.72111	JR.59312	26/59-5	JD-20	RE.15596	26/15596 RE	26/33-54	JD-10,12,13
R.72791	26/80243 R	26/73-45	JD-18	RE.15674	26/15674 RE	26/34-51	JD-10,11,12,13
R.72936	JR.38041	26/6612-1	JD-86	RE.16912	26/102298 AR	26/70-41	JD-18
R.73521	26/73521 NR	26/74-43	JD-18	RE.16920	26/71992 AR	26/71-43	JD-18
R.73784	JD.14020	26/144-16	JD-25	RE.16922	26/12459 RE	26/70-43	JD-18
R.73785	JD.73785	26/144-18	JD-25	RE.16924	26/16924 RE	26/71-45	JD-18
R.74008		26/28-22	JD-9	RE.16925	26/16925 RE	26/70-45	JD-18
R.74194		26/26-7	JD-7,8	RE.16934	RE.16934	26/70-150	JD-18
R.74195		26/26-9	JD-8	RE.17352	JD.63095 AR	26/13-51	JD-6
R.75728	26/75728 NR	26/74-45	JD-18	RE.18684	26/18684 RE	26/70-46	JD-18
R.75729	26/75729 NR	26/74-40	JD-18	RE.19031	JAT.31250	26/50-3	JD-17
R.76167	JR.39242	26/6610-1	JD-86	RE.19278	26/15595 RE	26/33-53	JD-10,12,13
R.78202	JT.58196	26/6638-1	JD-85	RE.19279	26/15596 RE	26/33-54	JD-10,12,13
R.79024	JD.46113	26/144-20	JD-25	RE.19282	26/11515 RE	26/33-51	JD-10,11,13
R.79623	26/52251 R	26/42-17	JD-17	RE.19283	26/19283 RE	26/33-52	JD-10,11,13
R.79624	26/52252 R	26/43-17	JD-17	RE.19789	26/18684 RE	26/70-46	JD-18
R.80033	26/80033 R	26/26-8	JD-7,8	RE.19832	RE.19832	26/31-151	JD-12,13
R.80241	26/80241 R	26/73-41	JD-18	RE.19833	RE.19833	26/31-150	JD-12
R.80242	26/59448 R	26/73-43	JD-18	RE.20224	JD.86599	26/165-83	JD-36,37
R.80243	26/80243 R	26/73-45	JD-18	RE.22678	26/14529 DD	26/31-53	JD-10,12,13
R.80500		26/35-150	JD-12,13	RE.22681	26/14530 DD	26/31-54	JD-10,12,13
R.80724	26/51726 R	26/35-51	JD-10,11,12,13	RE.22764	JD.63095 AR	26/13-51	JD-6
R.82174	JD.82174	26/144-19	JD-25	RE.23160	JD.65602 AR	26/31-152	JD-14
R.82873	JR.39613	26/6105-1	JD-28,38	RE.23163		26/33-152	JD-14
R.82896	JT.20310	26/53-3	JD-17	RE.23382		26/6642-1	JD-86
R.84618		26/42-153	JD-17	RE.24458	26/11509 RE	26/31-51	JD-10,11,13
R.84619		26/43-153	JD-17	RE.24539	26/11510 RE	26/31-52	JD-10,11,13
R.87151		26/144-54	JD-25	RE.24959		26/13-11S	JD-4.5
R.87152		26/144-53	JD-25	RE.26282	JAR.61351	26/93-3	JD-20
R.87153		26/144-51	JD-25	RE.26283	JAR.61352	26/93-4	JD-20
R.87154	JR.87154	26/144-52	JD-25	RE.27285	JRE.27285	26/100-21G	JD-22
R.88112	JR.88112	26/6095-1	JD-20	RE.27348 x 4	26/21138 K4	26/3-14	JD-7
R.90658	JT.20006	26/66-12	JD-37	RE.27348 x 4	26/71080 K4	26/3-14	JD-8
R.90692		26/43-150	JD-17	RE.27348 x 6	26/21138 K6	26/3-16	JD-8
R.90788	JT.20294	26/85-7	JD-28	RE.27352 x 3 +			
R.91407		26/144-55	JD-25	AT.21139 x 1	26/21139 K3	26/2-12	JD-4
R.91822		26/45-23	JD-17	RE.27352 x 4 +			
R.91889		26/46-10	JD-17	AT.21139 x 1	26/21140 K4	26/2-14	JD-4
R.92425	26/59448 R	26/73-43	JD-18	RE.27352 x 4 +			
R.92426	26/80243 R	26/73-45	JD-18	RE.60350 x 1	26/81786 K4	26/2-15	JD-5
R.94130	JD.94130 R/6	26/303-29	JD-63	RE.27352 x 6 +			
R.97341	26/97341 NR	26/75-40	JD-18	AT.21139 x 1	26/21140 K6	26/2-16	JD-5
R.97342	26/97342 NR	26/75-43	JD-18	RE.27352 x 6 +			
R.97344	26/97344 NR	26/75-45	JD-18,19	RE.60350 x 1	26/81786 K6	26/2-17	JD-5
R.97350	JRE.27285	26/100-21G	JD-22	RE.28919		26/33-150	JD-12
R.97356	26/80241 R	26/73-41	JD-18	RE.28920		26/33-151	JD-12,13
R.97531	JR.49516	26/17-10	JD-19	RE.29859		26/71-156	JD-19
R.97758	JD.20334	26/144-15	JD-25	RE.30250	26/11509 RE	26/31-51	JD-10,11,13
R.97939		26/144-50	JD-25	RE.31757	26/31757 RE	26/117-46	JD-23
R.97940	JD.14020	26/144-16	JD-25	RE.31929		26/6097-1	JD-21
R.98062		26/42-150	JD-17	RE.31973	JAT.31250	26/50-3	JD-17
R.98460	26/52789 R	26/73-40	JD-18	RE.33115	26/14529 DD	26/31-53	JD-10,12,13
R.98844	JT.20141	26/6167-2	JD-37	RE.33197	26/18030 AT	26/1-24	JD-4,7,8
R.98915	JT.21419	26/357-3	JD-61	RE.33687		26/1-50	JD-5,8
R.99290	JT.21968	26/331-2	JD-54	RE.33705	JD.22961	26/143-10	JD-26
RE.10535	26/10535 RE	26/70-42	JD-18	RE.34010		26/73-155	JD-19

Las referencias originales tienen un propósito identificativo.
Nuestras piezas no son originales.

Part numbers are quoted for reference purposes only.
Our parts and accessories are not original.



LISTA DE REFERENCIAS CRUZADAS (OEM → BEPCO) CROSS REFERENCES (OEM → BEPCO)

REF. OEM OEM REF.	REF. ANTIGUA OLD REF.	REF. N° ORDER N°	PAGINA PAGE	REF. OEM OEM REF.	REF. ANTIGUA OLD REF.	REF. N° ORDER N°	PAGINA PAGE
RE.34958	26/34958 RE	60/97-18	JD-33	RE.56350	JAR.61352	26/93-4	JD-20
RE.34962	26/34962 RE	60/161-30	JD-33	RE.57394	26/101278 AR	60/97-17	JD-32,34
RE.34963	26/34963 RE	60/162-30	JD-33	RE.57512		26/33-157	JD-14
RE.34966	26/34966 RE	60/161-36	JD-34	RE.57517		26/34-157	JD-14
RE.34967	26/34967 RE	60/162-36	JD-34	RE.57664	26/18030 AT	26/1-24	JD-4,7,8
RE.35647		26/70-156	JD-19	RE.60282	JD.100646 AR	26/31-156	JD-14
RE.35685	JD.35685 RE	26/90-29	JD-21	RE.60284	JD.100646 AR	26/31-156	JD-14
RE.36425		26/87-6	JD-21	RE.60288	JD.72079 AR	26/31-155	JD-14
RE.36939	26/36939 RE	26/117-47	JD-23	RE.60290	JD.83610 AR	26/31-153	JD-14
RE.37466	26/14194 DD	26/101-21	JD-22	RE.60294		26/31-157	JD-14
RE.37482	JD.40259	26/100-21	JD-22	RE.60489	JAR.92418	26/130-51	JD-24
RE.37483	JD.11345	26/131-21	JD-24	RE.60489		26/130-50	JD-24
RE.37484	JD.11346	26/131-22	JD-24	RE.61767		26/6097-1	JD-21
RE.37486	26/10535 RE	26/70-42	JD-18	RE.62658	JD.11345	26/131-21	JD-24
RE.37487	26/13255 RE	26/70-40	JD-18	RE.62659	JD.11347	26/131-23	JD-24
RE.37488	26/13268 RE	26/71-44	JD-18	RE.62660	JD.11348	26/131-24	JD-24,111
RE.37489	26/102297 AR	26/71-41	JD-18	RE.62661	JD.11346	26/131-22	JD-24
RE.37494	26/16925 RE	26/70-45	JD-18	RE.63293		26/1-52	JD-6,9
RE.37496	26/18684 RE	26/70-46	JD-18	RE.66820		26/34-150	JD-12,13
RE.37497	26/13256 RE	26/70-44	JD-18	RG.22247	JD.203898	26/71-155	JD-19
RE.37503	26/31757 RE	26/117-46	JD-23	RG.22248		26/71-156	JD-19
RE.37715		26/70-151	JD-18	RT.6005003244	RR.3244	60/655-6	JD-34
RE.38009	26/38009 RE	26/100-26	JD-22	RT.6005011111		60/161-153	JD-34
RE.38087	26/36939 RE	26/117-47	JD-23	RT.6005011112		60/162-153	JD-34
RE.38390	JD.36265	26/187-7	JD-29	RT.7700036171	BH765.347	69/565-7	JD-87
RE.38555		26/70-153	JD-18	RT.7700036535	15/1668	62/920-21	JD-96
RE.38556		26/70-153	JD-18	RT.6005002917	D.8097	26/4073-28	JD-107
RE.38571	26/13268 RE	26/71-44	JD-18	RT.6005007631		60/641-12	JD-34
RE.38599		26/70-150	JD-18	RT.6005010155	D.8090	26/4000-58	JD-107
RE.38847	26/100417 AR	26/71-42	JD-18	RT.6005010157	D.8092	26/4012-39	JD-107
RE.38848	26/102295 AR	26/71-40	JD-18	RT.6005010158	D.8091	26/4000-57	JD-107
RE.38849	26/13268 RE	26/71-44	JD-18	RT.6005010160	D.8093	26/4012-38	JD-107
RE.38850	26/102297 AR	26/71-41	JD-18	RT.6005010161	D.8094	26/4021-30	JD-107
RE.38851	26/71992 AR	26/71-43	JD-18	RT.6005010162	D.8095	26/4047-38	JD-107
RE.38852	26/16924 RE	26/71-45	JD-18	RT.6005010163	D.8096	26/4072-42	JD-107
RE.38853	26/102298 AR	26/70-41	JD-18	T.12688	26/12688 T	26/454-10	JD-75
RE.38854	26/10535 RE	26/70-42	JD-18	T.13213	JT.13213	26/6088-7	JD-28
RE.38855	26/13255 RE	26/70-40	JD-18	T.141566	JT.21424	26/384-2	JD-61
RE.38856	26/13256 RE	26/70-44	JD-18	T.15284	26/15284 T	26/474-2	JD-74
RE.38857	26/12459 RE	26/70-43	JD-18	T.15288	26/15288 T	26/476-11	JD-74
RE.38858	26/16925 RE	26/70-45	JD-18	T.19044	26/19044 T	60/97-7	JD-30,31,32,33,34
RE.38860	26/18684 RE	26/70-46	JD-18	T.19119	26/19044 T	60/97-7	JD-112,113
RE.39527	JD.39527 RE	60/641-10	JD-33,34	T.191245	7111/429	26/112-2	JD-35
RE.41269		26/145-20	JD-25	T.19245	JT.19245	26/6284-1	JD-57
RE.44508	26/48786 RE	26/117-48	JD-23	T.20006	JT.20006	26/6283-1	JD-57
RE.44575	26/18684 RE	26/70-46	JD-18	T.20009		26/66-12	JD-37
RE.45517		26/1-50	JD-5,8	T.20034		26/26-7	JD-7,8
RE.46238	JAR.92418	26/130-51	JD-24	T.20046		26/84-1	JD-20
RE.46257		26/130-50	JD-24	T.20073	JT.20073	26/11-14B	JD-20
RE.46380	26/101278 AR	60/97-17	JD-32,34	T.20077	JT.20077	26/54-4	JD-17
RE.46896	26/18031 AT	26/1-23	JD-4,7	T.20088	26/20088 T	26/46-9	JD-17
RE.47261	JAT.21534	26/86-11	JD-29	T.20094	26/20094 T	26/15-6	JD-19
RE.47637	26/18031 AT	26/1-23	JD-4,7	T.20098	JT.20098	26/12-9	JD-4,5
RE.47861		26/31-151	JD-12,13	T.20129	JT.20129	26/88-7	JD-28
RE.47862		26/31-150	JD-12	T.20141	JT.20141	26/49-1	JD-17
RE.48368	26/15595 RE	26/33-53	JD-10,12,13	T.20193	JR.88112	26/6167-2	JD-37
RE.48380		26/34-155	JD-14	T.20215	JT.20215	26/6095-1	JD-20
RE.48469		26/33-151	JD-12,13	T.20277	JD.20277	26/147-3	JD-26
RE.48786	26/48786 RE	26/117-48	JD-23	T.20294	JT.20294	26/141-5	JD-27
RE.48818		26/34-150	JD-12,13	T.20298	JT.20298	26/85-7	JD-28
RE.49211	26/15596 RE	26/33-54	JD-10,12,13	T.20310	JT.20310	26/91-10	JD-21
RE.49440	JAT.21534	26/86-11	JD-29	T.20317	JT.20317	26/53-3	JD-17
RE.50978	26/102298 AR	26/70-41	JD-18	T.20334	JD.20334	26/149-1	JD-26
RE.51629		60/161-151	JD-34	T.21419	JT.21419	26/144-15	JD-25
RE.51630		60/162-151	JD-34	T.21424	JT.21424	26/357-3	JD-61
RE.51774	JD.15473	26/180-5	JD-29	T.21429	JT.21429	26/384-2	JD-61
RE.51797	25/1971728	60/641-16	JD-34	T.21432	26/21432 T	26/375-2	JD-61
RE.53073		26/31-151	JD-12,13	T.21433	26/21433 T	26/359-2	JD-60
RE.53201		26/1-52	JD-6,9	T.21445	JT.21445	26/359-1	JD-60
RE.53265	26/30355 T	26/33-48	JD-10,11	T.21448	26/21448 T	26/543-8	JD-83
RE.53400	JD.53400 RE	60/111-26	JD-33,34	T.21450	JT.21450	26/235-2	JD-54
RE.53422		26/1-51	JD-6,9	T.21452	26/21452 T	26/233-4	JD-53
RE.54883		26/1-53	JD-5,8	T.21474		26/233-2	JD-54
RE.56349	JAR.61351	26/93-3	JD-20			26/684-8	JD-58

Las referencias originales tienen un propósito identificativo.
 Nuestras piezas no son originales.

Part numbers are quoted for reference purposes only.
 Our parts and accessories are not original.



"THE RELIABLE SERVICE"



LISTA DE REFERENCIAS CRUZADAS (OEM → BEPCO)
CROSS REFERENCES (OEM → BEPCO)

REF. OEM OEM REF.	REF. ANTIGUA OLD REF.	REF. N° ORDER N°	PAGINA PAGE	REF. OEM OEM REF.	REF. ANTIGUA OLD REF.	REF. N° ORDER N°	PAGINA PAGE
T.21527	JT.21527	26/541-3	JD-83	T.25132	JT.25132	26/485-18	JD-69
T.21528	JT.21528	26/532-2	JD-83	T.25294	JR.52989	26/523-1	JD-83
T.21539	26/21539 T	26/477-10	JD-74	T.25323	JD.25323 T	26/538-5	JD-84
T.21545	26/21545 T	26/450-201	JD-75	T.25324	JT.25324	26/539-1	JD-84
T.21546	JT.21546	26/535-10	JD-83	T.25325	JR.57292	26/542-1	JD-84
T.21547	JT.21547	26/380-4	JD-61	T.25366		26/59-4	JD-20
T.21553	26/21553 T	26/477-11	JD-69,74	T.25471	26/25471 T	26/141-7	JD-27
T.21558	JT.21558	26/764-2	JD-90	T.25822	JD.25822	26/759-15	JD-90
T.21559	26/21559 T	26/768-3	JD-90	T.25823	JT.25823	26/761-13	JD-90
T.21563	JL.29872	26/85-8	JD-28,58	T.25840	JT.25840	26/508-1	JD-69
T.21615	JT.21615	26/683-2	JD-58	T.26308	JT.32144	26/440-13	JD-61
T.21617	JT.21617	26/692-21	JD-59	T.26309	JT.26309	26/441-13	JD-61
T.21618	26/21618 T	26/501-3	JD-76	T.26321		26/84-2	JD-20
T.21619	26/21619 T	26/501-4	JD-76	T.26598	JL.26932	26/6678-3	JD-62
T.21641	JT.21641	26/333-3	JD-58	T.26716	JT.26716	26/450-18	JD-75
T.21655	JT.21655	26/538-5A	JD-84	T.26904	JT.26904	26/687-4	JD-58
T.21669	26/21699 T	26/486-19	JD-69	T.26905		26/685-5	JD-58
T.21671	JT.21671	26/725-1B	JD-95	T.27465	JT.27465	26/115-1	JD-23
T.21672	JT.21672	26/725-1C	JD-95	T.28119		26/387-8	JD-61
T.21722	JT.21722	26/538-5B	JD-83	T.28122	JR.56278	26/387-6	JD-61
T.21758	JT.21758	26/756-1	JD-90	T.28221	JT.28221	26/202-3	JD-53
T.21778	26/21778 T	26/485-19	JD-69	T.28222	JT.28222	26/206-3	JD-53
T.21866		26/535-11	JD-83	T.28230	JT.28230	26/203-3	JD-53
T.21875	JL.29226	26/351-3	JD-60	T.28231	JT.28231	26/207-3	JD-53
T.21876	JL.29227	26/348-4	JD-60	T.28263	26/28263 T	26/6632-2	JD-85
T.21901	26/21901 T	26/757-3	JD-90,91	T.28272	JT.28272	26/546-8	JD-83
T.21964	JL.29284	26/282-3	JD-57	T.28273	JT.28273	26/767-2K	JD-91
T.21968	JT.21968	26/331-2	JD-54	T.28353	26/28353 T	26/707-1	JD-89
T.21970	JL.29283	26/272-1	JD-57	T.28425	JD.28425	26/153-18	JD-27
T.21971	JT.29394	26/349-8	JD-60	T.28426	JD.28426	26/154-18	JD-27
T.21975	JL.31503	26/262-7	JD-57	T.28473	26/28473 T	26/416-6	JD-64,65
T.21976	JT.21976	26/263-9	JD-57	T.28538	JT.28538	26/681-1	JD-59
T.21977	JT.21977	26/295-1	JD-57	T.28546	JL.33865	26/6679-3	JD-62
T.21978	JT.30065	26/281-4	JD-57	T.28546	JT.28546	26/6679-305	JD-62
T.21980	JT.21980	26/265-16	JD-56	T.28548	JT.28548	26/6682-2	JD-62
T.21981	JT.21981	26/285-6	JD-57	T.28664	26/28664T	26/316-10	JD-63
T.21998	26/21998 T	26/234-2	JD-54	T.28672	JT.28672	26/303-22	JD-63
T.22069	JT.22069	26/305-10	JD-63	T.28801	26/28801 T	26/233-3	JD-54
T.22097	JT.22097	26/6679-1	JD-62	T.28828	JT.28828	26/380-2	JD-61
T.22098	JT.22098	26/6681-2	JD-62	T.28829	JT.28829	26/381-4	JD-61
T.22099	JT.22099	26/6682-1	JD-62	T.28907	JT.28907	26/387-2	JD-61
T.22101	JT.22101	26/398-2	JD-66	T.28908	JT.28908	26/387-3	JD-61
T.22102	26/50703 R	26/416-3	JD-64,65	T.29109	JT.29109	26/497-7A	JD-79
T.22103	26/50704 R	26/416-5	JD-64,65	T.29199	26/29199 T	26/486-15	JD-69
T.22116	JL.28712	26/303-21	JD-63	T.29200	26/29200 T	26/485-17	JD-69
T.22198	JT.22198	26/250-11	JD-55,56	T.29205	26/29205 T	26/486-16	JD-69,72
T.22219	JT.22219	26/255-5	JD-55	T.29210	JT.29210	26/508-2	JD-69,72
T.22399	JT.22399	26/767-3	JD-90	T.29216	JT.29216	26/501-8	JD-76
T.22474	JT.22474	26/686-7	JD-58	T.29217	JT.29217	26/501-10	JD-76
T.22500	JD.22500	26/154-16	JD-27	T.29394	JT.29394	26/349-8	JD-60
T.22525	JT.28272	26/546-8	JD-83	T.29444	JT.29444	26/380-3	JD-61
T.22714 +				T.29445	JT.29445	26/381-5	JD-61
T.21759 x 2	26/55695 AR	26/758-4	JD-90	T.29451	JT.29451	26/386-1	JD-61
T.22875	JD.22875 T	26/510-6	JD-83	T.29452		26/387-4	JD-61
T.22914	JL.32862	26/6632-1	JD-85	T.29453	JT.29453	26/387-1	JD-61
T.22942	JT.22942	26/6098-1	JD-21	T.29647		26/217-12	JD-53
T.22960	JT.22960	26/6628-1	JD-87	T.29931		26/682-9	JD-58
T.23062	JT.23062	26/247-1	JD-55	T.30015	26/30355 T	26/33-48	JD-10,11
T.23118	26/23118 T	26/486-18	JD-69	T.30065	JT.30065	26/281-4	JD-57
T.23170	26/23170 T	26/486-17	JD-69	T.30274	JT.30274	26/761-16	JD-90
T.23262	JT.23262	26/155-1	JD-35	T.30276		26/771-1	JD-93
T.23263	JT.23262	26/155-1	JD-35	T.30277		26/771-2	JD-93
T.23471	26/23471 T	26/28-9	JD-7,8	T.30349	26/30349 T	26/416-4	JD-64,65
T.23481	26/23481 T	26/33-46	JD-10,11,13	T.30355	26/30355 T	26/33-48	JD-10,11
T.23505	JD.23505	26/144-14	JD-25	T.30413	JT.30413	26/11-14A	JD-20
T.23533	JD.29263	26/153-17	JD-27	T.30521	JT.30521	26/686-8	JD-58
T.23534	JD.23534	26/153-16	JD-27	T.30522	JT.30522	26/686-9	JD-58
T.23620	JT.23620	26/149-2	JD-26	T.30687	JT.30687	26/397-1	JD-66
T.24484	JR.54969	26/679-1	JD-59	T.30755	JT.30755	26/299-8	JD-63
T.24485	JT.24485	26/6672-1	JD-59	T.30791	JT.30791	26/258-10	JD-55
T.24540	JT.24540	26/678-1	JD-59	T.30803	JT.30803	26/303-23	JD-63
T.24726	JT.24726	26/278-8	JD-57	T.31133	26/33536 L	26/759-16	JD-91
T.24728	JT.24728	26/288-7	JD-57	T.31749	26/31749 T	26/474-3	JD-74
T.24730		26/6283-2	JD-57	T.32077	26/32077 T	26/700-14S	JD-89

Las referencias originales tienen un propósito identificativo.
Nuestras piezas no son originales.

Part numbers are quoted for reference purposes only.
Our parts and accessories are not original.



LISTA DE REFERENCIAS CRUZADAS (OEM → BEPCO)
CROSS REFERENCES (OEM → BEPCO)

REF. OEM OEM REF.	REF. ANTIGUA OLD REF.	REF. N° ORDER N°	PAGINA PAGE	REF. OEM OEM REF.	REF. ANTIGUA OLD REF.	REF. N° ORDER N°	PAGINA PAGE
T.32078	26/32078 T	26/703-7	JD-89				
T.32144	JT.32144	26/440-13	JD-61				
T.32146	JT.32146	26/726-1	JD-95				
T.32196	26/32196 K	26/701-7	JD-89				
T.32340	26/32340 T	26/35-46	JD-10,11,13				
T.32343	26/32343 T	26/35-48	JD-10,11,13				
T.32537	26/32537T	26/166-2	JD-37				
T.34546	26/34546 T	26/477-12	JD-74				
T.38049	JT.38049	26/381-6	JD-61				
T.49189	26/49189 T	26/433-1	JD-66				
T.58196	JT.58196	26/6638-1	JD-85				
Z.44576	26/28520 L	26/951-5	JD-43				

Las referencias originales tienen un propósito identificativo.
Nuestras piezas no son originales.

Part numbers are quoted for reference purposes only.
Our parts and accessories are not original.



"THE RELIABLE SERVICE"



**BEPCO PARTS SA****HERMALLE-SOUS-HUY**

Rue Chaumont, 4D • 4480 Hermalle-sous-Huy • Belgique
T +32 85 24 54 00 • F +32 85 24 54 50
info.be@bepcoparts.com • www.bepcoparts.com

VILLERS-LE-BOUILLET

Rue de Waremme, 114 • 4530 Villers-le-Bouillet • Belgique
T +32 85 24 54 00 • F +32 85 24 54 50
info.be@bepcoparts.com • www.bepcoparts.com

**BEPCO UK LTD**

Bepco House • Unit 316 • Hartlebury Trading Estate
Hartlebury - Worcestershire, DY10 4JB (UK)
P +44 (0)1299 252270 • F 0800 216553
info@bepcoparts.com • www.bepcoparts.com

**BEPCO FRANCE SAS**

Z.I. La Plaine, Allée de Bigorre
BP80041 Le Passage • 47901 Agen Cedex 9 • France
T +33 (0)553 96 31 25 • F +33 (0)553 68 03 72
info.fr@bepcoparts.com • www.bepcoparts.com

VILLENEUVE-SUR-LOT

294 Av. de Bordeaux • CS 30059 Bias
FR-47302 Villeneuve sur lot • France
T +33 (0)5 53 40 37 50 • F +33 (0)5 53 70 61 93

JANZÉ

P.A. de la Chauvelière • Rue Charles Lindbergh
35150 JANZE • France
T + 33 (0)2 99 44 16 18 • F +33 (0)2 99 44 17 29

**TVH AUSTRALASIA PTY LTD**

HEAD OFFICE BRISBANE • www.bepcoparts.com

ADELAIDE

96 South Terrace • Wingfield SA 5013
Free 1800 182 344 • T +61 8 8359 8933 • F +61 8 8234 2212
BepcoSAsales@tvh.com.au

BRISBANE

735 Boundary Road • Richlands QLD 4077
Free 1800 020 082 • T +61 7 3344 1113 • F +61 7 3344 1332
BepcoQLDsales@tvh.com.au

MELBOURNE

7/66-74 Micro Circuit • Dandenong South VIC 3175
Free 1800 802 367 • T +61 3 9796 5422 • F +61 3 9796 5251
BepcoVICsales@tvh.com.au

PERTH

2/15 Colin Jamieson Drive • Welshpool WA 6106
Free 1800 182 344 • T +61 8 8352 8984 • F +61 8 8234 2212
BepcoWAsales@tvh.com.au

SYDNEY

1/1002-1010 Canley Vale Rd • Wetherill Park NSW 2164
Free 1800 808 827 • T +61 2 6885 5288 • F +61 3 9796 5251
BepcoNSWsales@tvh.com.au

**TVH NEW ZEALAND LTD****AUCKLAND**

PO Box 51490 • Pakuranga 2140 • 11K Echelon Place
East Tamaki • Auckland
Free 0800 459 662 • T +64 9 274 9695 • F +64 9 274 9698
info@tvh.co.nz • www.tvh.com

CHRISTCHURCH

11C Parkhouse Road
Wigram • Christchurch 8042
Free 0508 8 722 867 • T +64 3 550 1298 • F +64 3 974 9993
infochch@tvh.co.nz

**BEPCO DEUTSCHLAND GmbH**

Neuer Weg 5 • 59505 Bad Sassendorf • Germany
T +49 (0)2927 919 59 0 • F +49 (0)2927 919 59 59
info.de@bepcoparts.com • www.bepcoparts.com

**BEPCO NEDERLAND BV**

Den Dolvert 10 • 5473 GP, Heeswijk-Dinther • Nederland
T +31 (0)413 29 39 75 • F +31 (0)413 29 40 87
info.nl@bepcoparts.com • www.bepcoparts.com

**BEPCO IBÉRICA SA**

C/ Torrent de Vallmajor, 82
08915 Badalona (Barcelona) • Spain
T +34 (0)902 111 062 - 933 810 062 • F +34 (0)933 813 345
info.es@bepcoparts.com • www.bepcoparts.com

ALMENDRALEJO

Ctra. Badajoz - Pol. «Rayvaz» Nave 21
06200 Almendralejo (Badajoz)
T +34 (0)902 111 062 - 924 664 890
F +34 (0)924 664 576

DOS HERMANAS

Pol. Ind. La Isla, C/ Hornos, 11
41703 Dos Hermanas (Sevilla)
T +34 (0)902 111 062 - 954 931 546
F +34 (0)954 930 130

SANTIAGO DE COMPOSTELA

Pol. El Tambre, Via Faraday, 36
15890 Santiago de Compostela
T +34 (0)902 111 062 - 981 560 012
F +34 (0)981 557 753

**TVH PARTS SOUTH AFRICA (Pty) Ltd**

HEAD OFFICE JOHANNESBURG • www.tvh.com

CAPE TOWN

1 Karee Street • Kraaifontein Industries • Cape Town 7571
T +27 21 988 2432 • F +27 21 988 9127
capetownsales@tvh.com

DURBAN

2 Monaco Place • Westmead • Pinetown 3600
T +27 31 100 0760 • F +27 31 700 6191
durbansales@tvh.com

JOHANNESBURG

90 Electron Avenue • Isando • Kempton Park 1601
T +27 11 281 27 00 • F +011 974 9845
johannesburgsales@tvh.com

LICHTENBURG

Shop 1 • 109 Scholtz Street • Lichtenburg 2740
T +27 18 632 6192/6092 • F +27 18 632 6108
lichtenburgsales@tvh.com

PORT ELIZABETH

134 Kempston Road • Korsten • Port Elizabeth 6020
T +27 41 453 1404/8 • F +27 41 453 1409
portelizabethsales@tvh.com

FOR ALL OUR LATEST CATALOGUE UPDATES AND COMPANY INFO: WWW.BEPCOPARTS.COM



The spare parts mentioned in this list can normally be delivered from stock. In addition, we can supply parts, which are not mentioned in this catalogue, with the shortest possible delivery time. The O.E.M. references are only for indication purposes and do not imply that the spare parts are coming from the manufacturer. This spare parts list can be modified without prior notice. All photographs, drawings, illustrations, brand names, descriptions and numbers are included for identification purposes only.



De onderdelen vermeld in deze lijst, zijn normaal uit voorraad leverbaar, behoudens uitverkocht. Ook niet-vermelde onderdelen kunnen binnen de kortste tijd uitgeleverd worden. De O.E.M. referenties dienen enkel ter indicatie en impliceren niet dat deze van de vermelde constructeur afkomstig zijn. Deze onderdelenlijst kan zonder enige voorafgaande verwittiging aangepast worden. Alle gebruikte foto's, tekeningen, afbeeldingen, merknamen, omschrijvingen en nummers dienen alleen ter identificatie.



Les pièces de rechange, mentionnées dans cette liste, sont normalement livrables du stock. En plus, les articles non indiqués peuvent être fournis en peu de temps. Cette liste peut être modifiée sans avis préalable. Les références O.E.M. sont seulement indicatives et n'impliquent pas que les pièces de rechange viennent du constructeur. Toutes les photographies, illustrations, marques, descriptions, tous les plans et numéros servent exclusivement à une identification.



Die in dieser Liste aufgeführten Teile sind normalerweise aus dem Lager lieferbar. Wir sind zudem in der Lage nicht aufgeführte Teile innerhalb kürzester Zeit zu liefern. Die O.E.M. Referenznummern dienen zur Information und beinhalten nicht, dass diese vom genannten Hersteller kommen. Diese Bestandsliste kann ohne vorhergehende Ankündigung geändert werden. Alle verwendeten Foto's, Zeichnungen, Abbildungen, Markennamen, Beschreibungen und Nummern dienen nur zu Identifikationszwecken.



Los artículos mencionados en este catálogo se encuentran habitualmente en stock. Además, podemos suministrar en un plazo corto de tiempo otros artículos relacionados que no se encuentren expresamente mencionados en este catálogo. Las referencias O.E.M. sirven sólo como indicación y no implican que procedan del constructor. Este listado de productos puede estar sujeto a modificaciones sin aviso previo. Todas las fotos, dibujos, ilustraciones, nombres de marca, descripciones y números se han incluido simplemente con el propósito de su identificación.



I pezzi di ricambio, menzionati in questo listino, possono essere forniti con una consegna immediata a condizione che non siano esauriti. I pezzi di ricambio non menzionati possono essere forniti in poco tempo. Le referenze O.E.M. sono solamente indicative e non implicano che i pezzi di ricambio vengano da questo costruttore. Questa lista ricambi può essere aggiustata senza avvisi anticipati. Tutti i numeri, codici, nomi, foto, spaccati e disegni sono solo a titolo informativo.



Części z tego katalogu są zazwyczaj na stanie magazynowym. Również części które nie są wyszczególnione w katalogu mogą być dostarczone na zamówienie w najkrótszym możliwym terminie. Opis części O.E.M. jest używany informacyjnie i nie wskazuje na to, że dany produkt jest wyprodukowany przez podanego producenta. Zawartość katalogu może ulec zmianie bez wcześniejszego informowania o tym. Wszystkie użyte zdjęcia, rysunki, nazwy marek, opis i numery służą tylko do identyfikacji.



Запчасти из настоящего списка, как правило, имеются в запасе, если только он не распродан. Прочие, не фигурирующие в списке артикулы, могут быть поставлены в самые кратчайшие сроки. Указание оригинальных номеров производителя не предполагает обязательного оригинального происхождения самих деталей. Данный список может изменяться без предварительного уведомления. Все использованные фото, рисунки, иллюстрации, названия брендов, наименования и номера служат исключительно для цели идентификации.

Visita nuestro sitio Web :
www.bepcoparts.com

© **bepco** 2015

Todos los derechos reservados. Ninguna parte de este catálogo puede ser reproducida o comunicada en cualquier forma o por cualquier medio, electrónico o mecánico, incluyendo la copia, la grabación o el uso en un sistema de almacenamiento o recuperación de información, sin el permiso previo y explícito de BEPCO.

- BEPCO es un proveedor de piezas de recambio y accesorios adecuados para el mantenimiento y reparación de equipos originales.
Las referencias y marcas originales son puramente indicativas y no implican que los accesorios y / o piezas de recambio sean las del fabricante original.
- Los productos que no cumplan con los requisitos reglamentarios de la marca CE no se comercializan en el Espacio Económico Europeo.
- BEPCO® es una marca registrada.
- Todas las ventas están sujetas a los términos y condiciones generales de venta en www.bepcoparts.com
- Se incluyen fotografías e ilustraciones sólo a título indicativo. Sin responsabilidad por errores de impresión.

Recambios ■
para todas
las marcas
de la A a la Z

■ **John Deere**

Case IH
David Brown
Fendt
Ford
Hürlimann
JCB

K.H.D. (Deutz)
Kubota
Landini
Lamborghini
Manitou
Massey Ferguson
Mc Cormick
Merlo
New Holland
Renault
Same
Steyr
Valmet
Zetor

moving forward in every field

REF. 90/999-221



HEAD OFFICE

Rue Chaumont 4D • 4480 Hermalle-sous-Huy • Belgium
T +32 (0)85 24 54 00 • F +32 (0)800 23 132 • info.be@bepcoparts.com • www.bepcoparts.com

Member of **TVH** 