



moving forward in every field

IDIOMA • EN/ES

PERKINS 1100C

▶▶ **RECAMBIOS PARA MOTORES**

Catálogo - Primera edición: 2010

www.bepcoparts.com

Member of **TVH** 

PRESENTACIÓN DE BEPCO

El Grupo BEPCO es líder mundial en el suministro de recambios y accesorios para tractores y máquinas agrícolas.

Con más de 360 empleados, el Grupo BEPCO tiene delegaciones en Bélgica, Holanda, Francia, Alemania, España y el Reino Unido. También está presente en Australia, Nueva Zelanda, Sudáfrica y Brasil.

El Grupo BEPCO es una compañía global con clientes en más de 100 países y con ventas fuera de Europa que contribuyen a más de una tercera parte de su facturación.

Ofrecemos a nuestra red de distribuidores y concesionarios :

- ▶▶ Marcas de proveedores de piezas originales y otras marcas líderes
- ▶▶ Más de 20.000 m² de almacenes
- ▶▶ Más de 80.000 artículos disponibles
- ▶▶ Personal experto en conocimientos técnicos
- ▶▶ Envíos el mismo día del pedido, con entregas al día siguiente en muchos mercados

El Grupo BEPCO es miembro de TVH, el mayor suministrador de piezas y accesorios de alta calidad para máquinas de manipulación, vehículos industriales y otros equipos agrícolas.

MF-PERKINS "1100C"
 (REPLACEMENT PARTS)

bepco tractor parts
TRACTOR AND ENGINE APPLICATION CHARTS
TRACTORES Y MOTORES, TABLA DE APLICACIONES

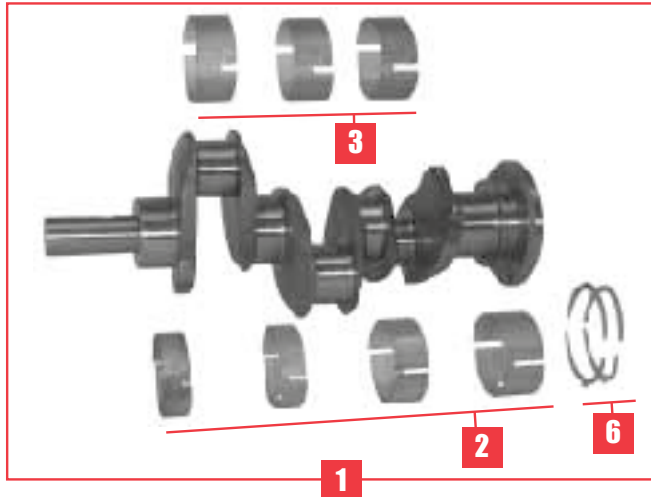
Tractors Tractores	Engine Motor	Cyl. Cil.	Bore mm Dia mm
Serie 400 series			
410	1103C-33	3	105
420	1103C-33T	3	105
430	1103C-33T	3	105
Serie 3400 series			
3425 F	1103C-33T	3	105
3425 GE	1103C-33T	3	105
3425 S	1103C-33T	3	105
3425 V	1103C-33T	3	105
3435 F	1104C-44	4	105
3435 GE	1104C-44	4	105
3435 S	1104C-44	4	105
3435 V	1104C-44	4	105
3445 F	1104C-44T	4	105
3445 GE	1104C-44T	4	105
3455 F	1104C-44T	4	105
3455 GE	1104C-44T	4	105
Serie 5400 series			
5425	1104C-44	4	105
5435	1104C-44	4	105
5445	1104C-44T	4	105
5455	1104C-44T	4	105
5460	1104C-44TA	4	105
5465	1106C-E66TA	6	100
Serie 6400 series			
6445	1104C-44T	4	105
6455	1104C-44T	4	105
6460	1104C-E44TA	4	105
6465	1106C-E66TA	6	100
6470	1104C-E44TA	4	105
6475	1106C-E66TA	6	100
6480	1106C-E66TA	6	100
Serie 7400 series			
7465	1106C-E66TA	6	100
7475	1106C-E66TA	6	100
7480	1106C-E66TA	6	100
DERIVATIVE APPLICATION CHART			
TABLA PARA MODELOS DERIVADOS			
Tractors Tractores	Engine Motor	Derivatives Derivadas	
3 cyl. Engines			
3425	1103C-33T	3425F, 3425GE, 3425S, 3425V	
4 cyl. Engines			
3435	1104C-44	3435F, 3435GE, 3435S, 3435V	
3445	1104C-44T	3445F, 3445GE	
3455	1104C-44T	3455F, 3455GE	

 Part numbers are quoted for reference purposes only.
 Our parts and accessories are not original.

"THE RELIABLE SERVICE"

Las referencias originales tienen un propósito identificativo. Nuestras piezas no son originales.

CRANKSHAFT & RELATED PARTS
CIGÜEÑALES Y PIEZAS RELACIONADAS



Tractors Tractores	Engine Motor	1 Crankshaft kit Conjunto de cigüeñal	2 Main bear. set I. cojinetes bancada	3 Conrod bear. set I. cojinetes biela	4 Top thrust washer Arandela superior	5 Bot. thrust washer Arandela inferior	6 Thrust washer kit Juego de arandelas
3 cylinder engines / Motores 3 cilindros							
410	1103C-33	30/1-152K (4181V017, 4225301M91)	30/2-152 (U5MB0019, U5MB0037, 4225305M91, 4227103M91)	(A) 30/3-152 (U5ME0018, U5ME0033, 4225306M91, 4226931M91)	30/4-3 (31137551, 747128M1)	30/5-3 (31137561, 747129M1)	Standard 30/6-3 (U5TW0002) (+0.007", 0.19mm) 30/6-4 (U5TW0002B)
420, 430 3425	1103C-33T						
4 cylinder engines / Motores 4 cilindros							
3435 5425, 5435	1104C-44	30/1-153K (ZZ90224, ZZ90222, 4225086M91, 4225085M91)	30/2-153 (U5MB0018, U5MB0033, 4225059M91, 4226953M91)	(A) 30/3-153 (U5ME0013, U5ME0026, U5ME0034, 4225063M91, 4226914M91)	30/4-3 (31137551, 747128M1)	30/5-3 (31137561, 747129M1)	Standard 30/6-3 (U5TW0002) (+0.007", 0.19mm) 30/6-4 (U5TW0002B)
3445, 3455 5445, 5455, 5460 6445, 6455	1104C-44T, 1104C-44TA						
6460, 6470	1104C-E44TA	30/1-154K (B) (ZZ90214, 4225156M91)					
6 cylinder engines / Motores 6 cilindros							
5465 6465, 6475, 6480 7465, 7475, 7480	1106C-E60TA	30/1-155K (B) (ZZ90213, ZZ90228, 4225084M91, 4225497M91)	30/2-45 (U5MB0010, 3640873M91)	(A) 30/3-155 (U5ME0014, U5ME0025, U5ME0035, 4225212M91, 4226917M91)	30/4-3 (31137551, 747128M1)	30/5-3 (31137561, 747129M1)	Standard 30/6-3 (U5TW0002) (+0.007", 0.19mm) 30/6-4 (U5TW0002B)

N.B. Main and conrod bearing sets are available in 0.010" - 0.020" - 0.030" undersize. Please add the suffix A, B or C respectively.

(A) Conrod bearing sets include **30/3-153P** alignment tool equivalent to 27610233, 4226032M1

(B) 30/1-154K & 30/1-155K include the timing ring 3116L002, 4225442M1

N.B. Cojinetes de bancada y de biela disponibles en las siguientes sobremedidas 0.010"- 0.020"- 0.030". Adjuntar los prefijos A, B, o C.

(A) Juego cojinetes de biela incluye **30/3-153P** herramienta equivalente a 27610233, 4226032M1

(B) 30/1-154K & 30/1-155K incluido el sistema de ajuste : 3116L002, 4225442M1

Part numbers are quoted for reference purposes only.
Our parts and accessories are not original.

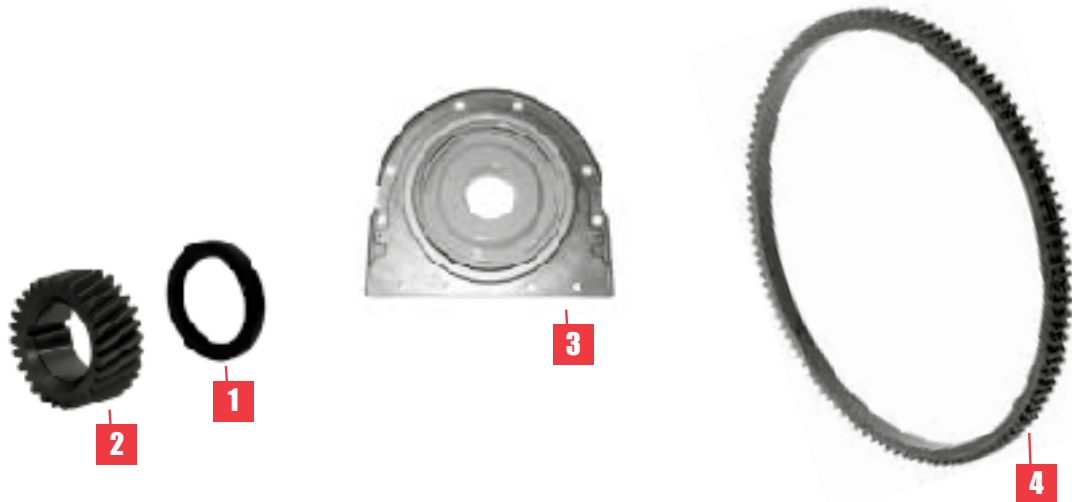
"THE RELIABLE SERVICE"

Las referencias originales tienen un propósito indentifica-
tivo. Nuestras piezas no son originales.

MF-PERKINS "1100C"
(REPLACEMENT PARTS)

bepco tractor parts

CRANKSHAFT & RELATED PARTS
CIGÜEÑALES Y PIEZAS RELACIONADAS



		1	2	3	4
Tractors Tractores	Engine Motor	Front cover seal Retén delantero	Crankshaft gear Piñón cigüeñal	Rear housing seal Retén trasero	Flywheel ring gear Corona de volante
3 cylinder engines / Motores 3 cilindros					
410	1103C-33	30/11-11 (2418F436, 1447690M1)	30/12-152 (3117C221, 4224833M1)	30/13-152 (2418F704, 4224762M1)	30/15-1 (0410236, 731008M1, 3819719M1)
420, 430	1103C-33T				30/15-152 (72280539)
3425					
4 cylinder engines / Motores 4 cilindros					
3435	1104C-44	30/11-11 (2418F436, 1447690M1)	30/12-152 (3117C221, 4224833M1)	30/13-152 (2418F704, 4224762M1)	30/15-152 (72280539)
3445, 3455	1104C-44T				
5425, 5435	1104C-44,	30/11-150 (2418F553, 2418F437 4224761M1, 4226213M1)			30/15-1 (0410236, 731008M1, 3819719M1)
5445, 5455, 5460, 6445	1104C-44T, 1104C-44TA				
6455	1104C-44T				
6460, 6470	1104C-E44TA				
6 cylinder engines / Motores 6 cilindros					
5465 6465, 6475, 6480 7465, 7475, 7480	1106C-E60TA	30/11-11 (2418F436, 1447690M1)	30/12-152 (3117C221, 4224833M1)	30/13-110 (2418F701, 4224532M1)	30/15-7 (1619032M1)

Part numbers are quoted for reference purposes only.
Our parts and accessories are not original.

"THE RELIABLE SERVICE"

Las referencias originales tienen un propósito identificativo. Nuestras piezas no son originales.

bepco tractor parts

MF-PERKINS "1100C"
(REPLACEMENT PARTS)

CONNECTING RODS & RELATED PARTS
BIELAS Y PIEZAS RELACIONADAS



		1	2
Tractors <i>Tractores</i>	Engine <i>Motor</i>	Conrod bolt <i>Tornillo biela</i>	Small end bush <i>Casquillo pie de biela</i>
3 cylinder engines / Motores 3 cilindros			
410	1103C-33	30/26-152 (3212V003, 4224864M1)	30/28-152 (3112A005, 4224827M1)
420, 430 3425	1103C-33T		
4 cylinder engines / Motores 4 cilindros			
3435 5425, 5435	1104C-44	30/26-152 (3212V003, 4224864M1)	30/28-152 (3112A005, 4224827M1)
3445, 3455 5445, 5455, 5460 6445, 6455	1104C-44T, 1104C-44TA		
6460, 6470	1104C-E44TA		
6 cylinder engines / Motores 6 cilindros			
5465 6465, 6475, 6480 7465, 7475, 7480	1106C-E60TA	30/26-152 (3212V003, 4224864M1)	30/28-152 (3112A005, 4224827M1)

Part numbers are quoted for reference purposes only.
Our parts and accessories are not original.

"THE RELIABLE SERVICE"

Las referencias originales tienen un propósito identificativo. Nuestras piezas no son originales.

Ed. 1 (11/11)

MF-5

MF-PERKINS "1100C"
(REPLACEMENT PARTS)

bepco tractor parts

PISTONS, RING SETS & LINERS
PISTONES, JUEGOS DE SEGMENTOS & CAMISAS



Tractors <i>Tractores</i>	Engine <i>Motor</i>	1 <i>Kit set Juego</i>	2 <i>Piston & rings Pistón con aros</i>	3 <i>Piston & pin Pistón sin aros</i>	4 <i>Piston ring set Juego de segm.</i>	5 <i>Finished liner Camisa term.</i>	6 <i>Semi-finished liner Camisa semi-term.</i>
3 cylinder engines / Motores 3 cilindros							
410	1103C-33	B71602	(A) 30/32-606 (4115P011, 4225018M91)	(A) 30/33-606 (B33606)	(A) 30/34-606 (UPRK0003, 4225073M91)	(B) 30/35-606	(B) 30/36-606
420, 430 3425	1103C-33T	B71603	(A) 30/32-607 (4115P015, 4225019M91)	(A) 30/33-607 (B33607)	(A) 30/34-607 (UPRK0002, 4225072M91)		
4 cylinder engines / Motores 4 cilindros							
3435 5425, 5435	1104C-44	B71604	(A) 30/32-606 (4115P011, 4225018M91)	(A) 30/33-606 (B33606)	(A) 30/34-606 (UPRK0003, 4225073M91)	(B) 30/35-606	(B) 30/36-606
3445, 3455 5445, 5455, 5460 6445, 6455	1104C-44T, 1104C-44TA	B71605	(A) 30/32-607 (4115P015, 4225019M91)	(A) 30/33-607 (B33607)	(A) 30/34-607 (UPRK0002, 4225072M91)		
6460, 6470	1104C-E44TA						
6 cylinder engines / Motores 6 cilindros							
5465 6465, 6475, 6480 7465, 7475, 7480	1106C-E60TA	30/31-608 (B31608)	30/32-608 (4115P001, 4225017M91)	30/33-608 (B33608)	30/34-608 (UPRK0001, 4225071M91)	(C) 30/35-173 (3135X062, 4222128M1)	(C) 30/36-173 (3135X063, 4222129M1)

(A) Pistons and ring sets are available in 0.50mm and 1.00mm oversize. Please add the suffix B or D respectively

(A) Los pistones y segmentos están disponibles en 0.50mm et 1.00 mm, Adjuntar los prefijos B o D respectivamente.

(B) Alternative option: After counter boring block use either **30/35-606** (B35606) or **30/36-606** (B36606) together with standard size piston

(B) Otra opción : después de rectificad el bloque, utilizar **30/35-606**(B35606) o **30/36-606**(B36606) con los pistones de dimensión estándar.

(C) Cylinder liners available in 0.25mm oversize. **30/35-173A** is equivalent to 3135X065, 4223985M1 and **30/36-173A** is equivalent to 3135X066, 4224842M1

(C) Las camisas disponibles en las siguientes sobremedidas 0.25 mm. **30/35-173A** equivalente a 3135X065, 4223985M1 y **30/36-173A** equivalente a 3135X066, 4224842M1.

Part numbers are quoted for reference purposes only.
Our parts and accessories are not original.

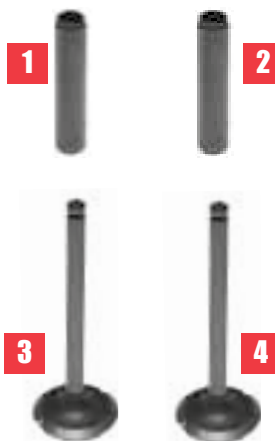
"THE RELIABLE SERVICE"

Las referencias originales tienen un propósito identificativo. Nuestras piezas no son originales.

MF-6

Ed. 1 (11/11)

CYLINDER HEAD PARTS
CULATAS Y PIEZAS ANEXAS



		1	2	3	4
Tractors Tractores	Engine Motor	Inlet guide Guía adms.	Exhaust guide Guía escape	Inlet valve Válvula adms.	Exhaust valve Válvula escape
3 cylinder engines / Motores 3 cilindros					
410	1103C-33	30/41-61 (3313A012, 4223987M1)	30/41-61 (3313A012, 4223987M1)	30/42-606 (3142H071, 4224847M1)	30/43-606 (3142A151, 4224846M1)
420, 430 3425	1103C-33T				
4 cylinder engines / Motores 4 cilindros					
3435 5425, 5435	1104C-44	30/41-61 (3313A012, 4223987M1)	30/41-61 (3313A012, 4223987M1)	30/42-606 (3142H071, 4224847M1)	30/43-606 (3142A151, 4224846M1)
3445, 3455 5445, 5455, 5460 6445, 6455	1104C-44T, 1104C-44TA				
6460, 6470	1104C-E44TA				
6 cylinder engines / Motores 6 cilindros					
5465 6465, 6475, 6480 7465, 7475, 7480	1106C-E60TA	30/41-61 (3313A012, 4223987M1)	30/41-62 (3318A705, 4223581M1)	30/42-61 (3142L081, 4222149M91)	30/43-62 (3142D031, 4222896M1)

Part numbers are quoted for reference purposes only.
Our parts and accessories are not original.

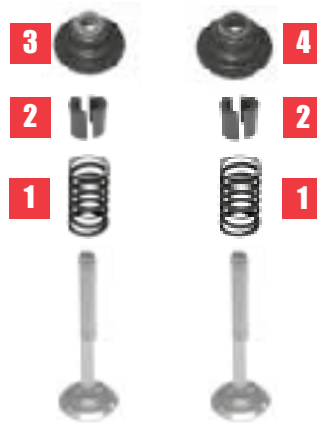
"THE RELIABLE SERVICE"

Las referencias originales tienen un propósito indentifica-
tivo. Nuestras piezas no son originales.

MF-PERKINS "1100C"
(REPLACEMENT PARTS)



CYLINDER HEAD PARTS
CULATAS Y PIEZAS ANEXAS



		1	2	3	4
Tractors <i>Tractores</i>	Engine <i>Motor</i>	Valve spring <i>Muelle de la válvula</i>	Cotter <i>Semiconos</i>	Inlet valve seal <i>Junta válvula admision</i>	Exhaust valve seal <i>Junta válvula escape</i>
3 cylinder engines / Motores 3 cilindros					
410	1103C-33	30/45-606 (3174A016, 4224856M1)	30/46-14 (3142W004, 4222141M1)	(A) 30/47-607 (2418M519, 4225347M1)	(A) 30/47-608 (2418M517, 4225844M1)
420, 430 3425	1103C-33T				
4 cylinder engines / Motores 4 cilindros					
3435 5425, 5435	1104C-44	30/45-606 (3174A016, 4224856M1)	30/46-14 (3142W004, 4222141M1)	(A) 30/47-607 (2418M519, 4225347M1)	(A) 30/47-608 (2418M517, 4225844M1)
3445, 3455 5445, 5455, 5460 6445, 6455	1104C-44T, 1104C-44TA				
6460, 6470	1104C-E44TA				
6 cylinder engines / Motores 6 cilindros					
5465 6465, 6475, 6480 7465, 7475, 7480	1106C-E60TA	30/45-63 (3174P409, 4224316M1)	30/46-14 (3142W004, 4222141M1)	30/47-63 (2418M506, 4222333M1)	30/47-65 (2418M505, 4223442M1)

(A) Early inlet and exhaust valve stem seal 2418M514, 4224763M1 is replaced by **30/47-606** Seal kit (U5MK1027, 4225538M1) that contains 4 x **30/47-607** inlet valve stem seal and 4 x **30/47-608** exhaust valve stem seal.

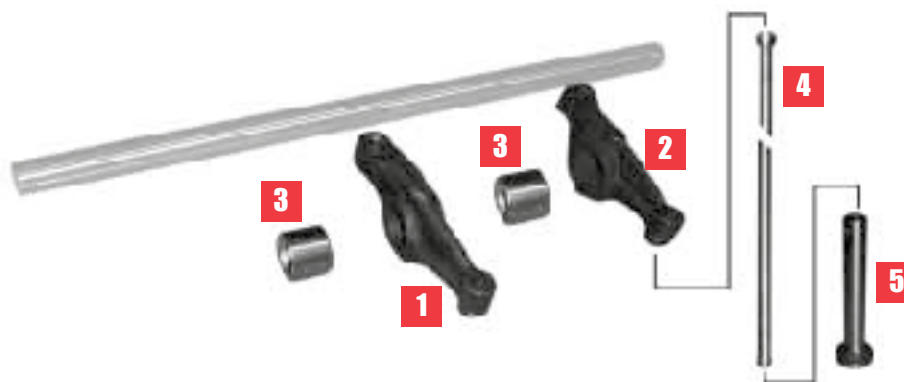
(A) Las primeras juntas de montaje de la válvula de admisión y escape (2418M514, 4224763M1) están sustituidas por **30/47-606** (U5MK1027, 4225538M1) este equipo contiene 4 x **30/47-607** (junta de válvula de admisión) & 4 x **30/47-608** (junta de válvula de escape).

Part numbers are quoted for reference purposes only.
Our parts and accessories are not original.

"THE RELIABLE SERVICE"

Las referencias originales tienen un propósito identificativo. Nuestras piezas no son originales.

ROCKER SHAFTS & ARMS
BALANCINES



Tractors <i>Tractores</i>	Engine <i>Motor</i>	1 <i>Culbuteur G. Rocker arm LH</i>	2 <i>Rocker arm RH Balancin Dcho.</i>	3 <i>Rocker arm bush Casquillo de balancin</i>	4 <i>Push rod Empujador</i>	5 <i>Tappet Taquet</i>
3 cylinder engines / Motores 3 cilindros						
410	1103C-33	30/50-606 (4115R314, 4225020M91)	30/50-607 (4115R315, 4225021M91)	-	30/53-2 (31434307, 733817M1)	30/54-3 (3142U031, 4222069M1)
420, 430 3425	1103C-33T					
4 cylinder engines / Motores 4 cilindros						
3435 5425, 5435	1104C-44	30/50-606 (4115R314, 4225020M91)	30/50-607 (4115R315, 4225021M91)	-	30/53-2 (31434307, 733817M1)	30/54-3 (3142U031, 4222069M1)
3445, 3455 5445, 5455, 5460 6445, 6455	1104C-44T, 1104C-44TA					
6460, 6470	1104C-E44TA					
6 cylinder engines / Motores 6 cilindros						
5465 6465, 6475, 6480 7465, 7475, 7480	1106C-E60TA	30/50-608 (4115R006, 4115R008, 4222157M1, 4224543M1)	30/50-609 (4115R005, 4115R007, 4222159M1, 4224544M1)	30/6052-608 (31134166, 3112A003, 4222158M1, 4224553M1)	30/53-2 (31434307, 733817M1)	30/54-3 (31434163, 3142U031, 740671M1, 4222069M1)

Part numbers are quoted for reference purposes only.
Our parts and accessories are not original.

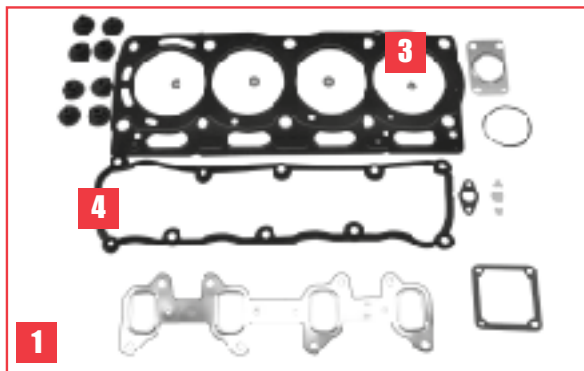
"THE RELIABLE SERVICE"

Las referencias originales tienen un propósito indentificativo. Nuestras piezas no son originales.

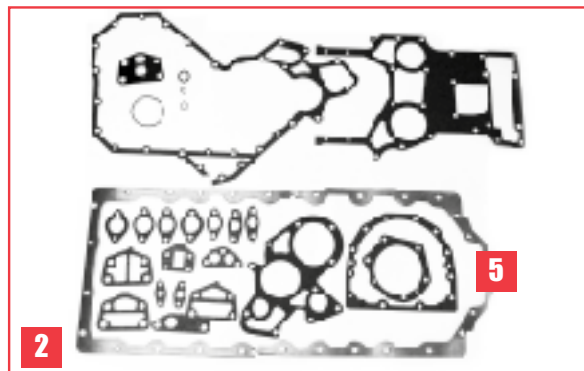
MF-PERKINS "1100C"
(REPLACEMENT PARTS)

bepco tractor parts

ENGINE GASKET SETS
JUNTAS DE MOTOR



Illustrated / Ilustrado : 30/71-607



Illustrated / Ilustrado : 30/72-608

		1	2	3	4	5
Tractors <i>Tractores</i>	Engine <i>Motor</i>	Top gasket set <i>Juego de jun. sup.</i>	Bottom gasket set <i>Juego de jun. inf.</i>	Cyl. head gasket <i>Junta culata</i>	Rocker cover gasket <i>Junta tapa de balacín</i>	Sump gasket <i>Junta de cárter</i>
3 cylinder engines / Motores 3 cilindros						
410	1103C-33	30/71-606 (U5LT0351, U5LT0355, 4225304M91, 4226197M91)	30/72-606 (U5LB0379, 4225303M91)	30/73-606 (3681E045, 3681E049, 4225270M1, 4225388M1)	30/74-606 (3681A057, 4225269M1)	30/75-606 (3681K038, 4225271M1)
420, 430 3425	1103C-33T					
4 cylinder engines / Motores 4 cilindros						
3435 5425, 5435	1104C-44	30/71-607 (U5LT0350, U5LT0357, 4225163M91, 4225545M91, AG137256)	30/72-607 (U5LB0377, U5LB0383, 4225056M91, 4225857M91)	30/73-607 (3681E046, 3681E051, 4225140M1, 4225850M1)	30/74-607 (3681A055, 4224954M1)	30/75-607 (3681K036, 4224957M1)
3445, 3455	1104C-44T,		30/72-609 (U5LB0378, U5LB0384, 4225302M91, 4226783M91)			
5445, 5455, 5460 6445, 6455	1104C-44T, 1104C-44TA		30/72-607 (U5LB0377, U5LB0383, 4225056M91, 4225857M91)			
6460, 6470	1104C-E44TA					
6 cylinder engines / Motores 6 cilindros						
5465 6465, 6475, 6480 7465, 7475, 7480	1106C-E60TA	30/71-608 (U5LT0349, 4225058M91)	30/72-608 (U5LB0374, 4225055M91)	30/73-608 (3681E043, 4224955M1)	30/74-608 (3681A054, 4224702M1)	30/75-113 (3681M007, 3638431M1)
5465 6465, 6475, 6480 7465, 7475, 7480 With pneumatic brake / <i>Con freno neumático</i>			30/72-610 (U5LB0372, 4225054M91)			

Part numbers are quoted for reference purposes only.
Our parts and accessories are not original.

"THE RELIABLE SERVICE"

Las referencias originales tienen un propósito identificativo. Nuestras piezas no son originales.

bepco tractor parts

MF-PERKINS "1100C"
(REPLACEMENT PARTS)

FILTRATION
FILTRACION



		1	2	3	4
Tractors Tractores	Engine Motor	Oil filter Filtro aceite	Fuel filter Filtro combustible	Outer air filter Filtro de aire ext.	Inner air filter Filtro de aire int.
3 cylinder engines / Motores 3 cilindros					
410	1103C-33	60/97-2 (2654403, 1447048M1)	60/111-177 (26560163, 4225377M1, 4225393M1)	60/161-142 (0018404U1)	60/162-142 (0014744U1)
420, 430	1103C-33T			60/161-104 (2.4249.131.0, 72281455)	60/162-25 (72257757)
3425					
4 cylinder engines / Motores 4 cilindros					
3435	1104C-44	60/97-3 (2654407, 1447031M1)	60/111-176 (26560201, 4224811M1)	60/161-104 (2.4249.131.0, 72281455)	60/162-25 (72257757)
3445, 3455	1104C-44T			60/161-119 (3901464M1)	60/162-119 (3901465M1)
5425, 5435	1104C-44			60/161-120 (3901475M1)	60/162-120 (3901476M1)
5445, 5455 6445, 6455 High Visibility	1104C-44T			60/161-174 (3907001M1, 4270033M1)	60/162-174 (3907002M1, 4270034M1)
5445, 5445 6445, 6455					
5460	1104C-44TA				
6460, 6470	1104C-E44TA				
6 cylinder engines / Motores 6 cilindros					
5465 6465, 6475, 6480 7465, 7475, 7480	1106C-E60TA	60/97-2 (2654403, 1447048M1)	60/111-92 (26560141, 4224701M1)	60/161-167 (4271467M1)	60/162-167 (4271468M1)

Part numbers are quoted for reference purposes only.
Our parts and accessories are not original.

"THE RELIABLE SERVICE"

Las referencias originales tienen un propósito identificativo. Nuestras piezas no son originales.

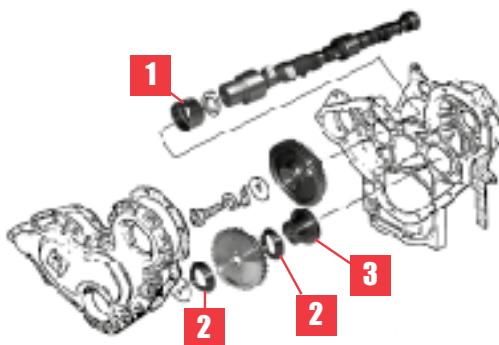
Ed. 1 (11/11)

MF-11

MF-PERKINS "1100C"
(REPLACEMENT PARTS)

bepco tractor parts

TIMING GEAR
DISTRIBUCIÓN



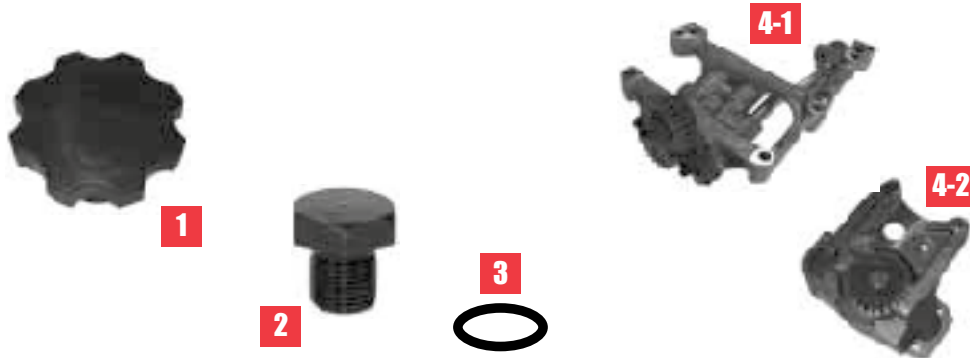
		1	2	3
Tractors Tractores	Engine Motor	Camshaft gear Piñón árbol de levas	Idler gear bush Casquillo	Idler hub Espaciador
3 cylinder engines / Motores 3 cilindros				
410	1103C-33	30/56-606 (3112D071, 4224829M1)	-	-
420	1103C-33T		30/84-8 (0050345, 731033M1)	30/83-601 (33426161, 3272A026, 3311A054, 735852M1, 4225414M1, 4226761M1)
430				
3425				
4 cylinder engines / Motores 4 cilindros				
3435 5425, 5435	1104C-44	30/56-606 (3112D071, 4224829M1)	30/84-8 (0050345, 731033M1)	30/83-601 (33426161, 3272A026, 3311A054, 735852M1, 4225414M1, 4226761M1)
3445, 3455 5445, 5455, 5460 6445, 6455	1104C-44T, 1104C-44TA			
6460, 6470	1104C-E44TA			
6 cylinder engines / Motores 6 cilindros				
5465 6465, 6475, 6480 7465, 7475, 7480	1106C-E60TA	30/56-1 (31134165, 4222017M1)	30/84-8 (0050345, 731033M1)	30/83-601 (33426161, 3272A026, 3311A054, 735852M1, 4225414M1, 4226761M1)

Part numbers are quoted for reference purposes only.
Our parts and accessories are not original.

"THE RELIABLE SERVICE"

Las referencias originales tienen un propósito identificativo. Nuestras piezas no son originales.

LUBRIFICATION
LUBRICACIÓN



		1	2	3	4
Tractors Tractores	Engine Motor	Oil filler cap Tapón aceite	Sump drain plug Tápon de vaciado	Plug "O" ring Tórica del tapón	Oil pump Bomba de aceite
3 cylinder engines / Motores 3 cilindros					
410	1103C-33	30/85-22 (4142X098, 3641889M1)	30/88-1 (32186405, 748160M1)	30/6088-600 (2415715, 3638382M1)	30/90-606 (4132F071, 4225294M1) 4-1
420	1103C-33T				30/90-607 (4132F072, 4225295M1) 4-1
430, 3425					
4 cylinder engines / Motores 4 cilindros					
3435 5425, 5435	1104C-44	30/85-22 (4142X098, 3641889M1)	30/88-1 (32186405, 748160M1)	30/6088-600 (2415715, 3638382M1)	-
3445, 3455 5445, 5455, 5460 6445, 6455	1104C-44T, 1104C-44TA				-
6460, 6470	1104C-E44TA				-
6 cylinder engines / Motores 6 cilindros					
5465 6465, 6475, 6480 7465, 7475, 7480	1106C-E60TA	30/85-22 (4142X098, 3641889M1)	30/88-1 (32186405, 748160M1)	30/6088-600 (2415715, 3638382M1)	30/90-608 (4132F067, 4225034M1) 4-2

Part numbers are quoted for reference purposes only.
Our parts and accessories are not original.

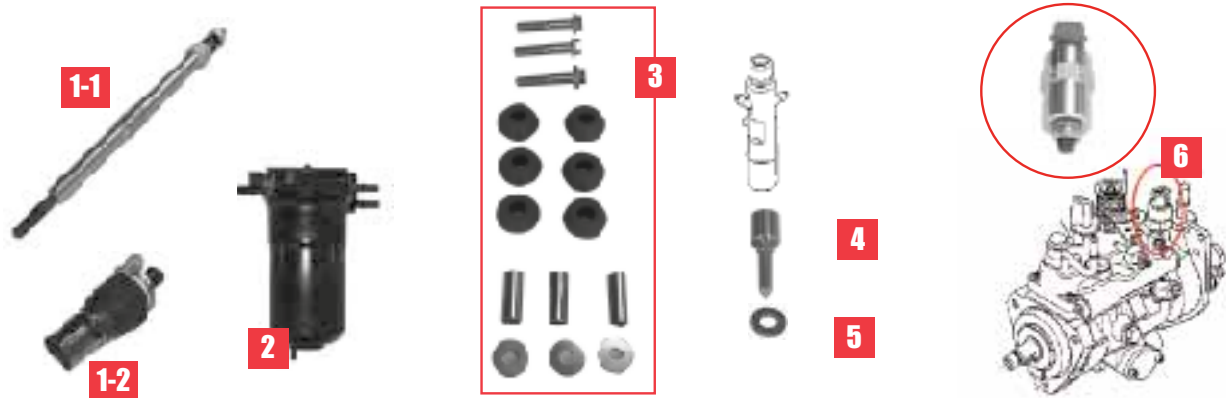
"THE RELIABLE SERVICE"

Las referencias originales tienen un propósito identificativo. Nuestras piezas no son originales.

MF-PERKINS "1100C"
(REPLACEMENT PARTS)

bepco tractor parts

PUMPS & INJECTION
BOMBAS Y SISTEMA DE INYECCIÓN



		1	2	3	4	5	6
Tractors Tractores	Engine Motor	Thermostart Calentador	Electric lift pump Bomba eléctrica	Mounting kit Juego de montaje	Injector nozzle Toberas de inyector	Nozzle washer Arandella tobera	Shut-off solenoid Solenoido paro
3 cylinder engines / Motores 3 cilindros							
410	1103C-33	30/60-606 (2666A016, 4224813M1) 1-1	30/100-606 (4132A015, 4132A016, ULPK0039, 4225293M91, 4226625M91)	30/101-606 (U5MK1171, U5MK1021) 4225307M91)	30/117-606 (2645K613, 4224800M1)	30/118-606 (L311FF02, 3641568M1)	30/7101-6 (26420469, 4224321M1)
420, 430 3425	1103C-33T				30/117-607 (2645K611, 4224799M1)		
4 cylinder engines / Motores 4 cilindros							
3435 5425, 5435	1104C-44	30/60-606 (2666A016, 4224813M1) 1-1	30/100-607 (4134M004, 4132A008, 4132A014, 4132A018, ULPK0038, 4225044M1, 4225183M1, 4226484M1)	101-607 (U5MK1017, U5MK0696, 4225209M91, 4225068M91)	30/117-606 (2645K613, 4224800M1)	30/118-606 (L311FF02, 3641568M1)	30/7101-19 (26420310, 26420518, 4225404M1, V836662531)
3445, 3455 5445, 5455, 6445, 6455	1104C-44T				30/117-607 (2645K611, 4224799M1)		30/7101-6 (26420469, 4224321M1)
5460	1104C-44TA				30/117-609 (2645K612, 4225125M1)		-
6460, 6470	1104C-E44TA				-		-
6 cylinder engines / Motores 6 cilindros							
5465 6465, 6475, 6480 7465, 7475, 7480	1106C-E60TA	30/60-608 (2666A015, 4223450M1) 1-2	30/100-608 (ULPK0035, ULPK0036, 4224706M91, 4225162M1)	-	(A) 30/6117-608 (2645F027, 4224705M1)	30/118-606 (3311A011, L311FF02, 4224887M1, 3641568M1)	-

(A) 30/6117-608 (2645F027, 4224705M1) is a complete injector / es un sistema completo de inyección

Part numbers are quoted for reference purposes only.
Our parts and accessories are not original.

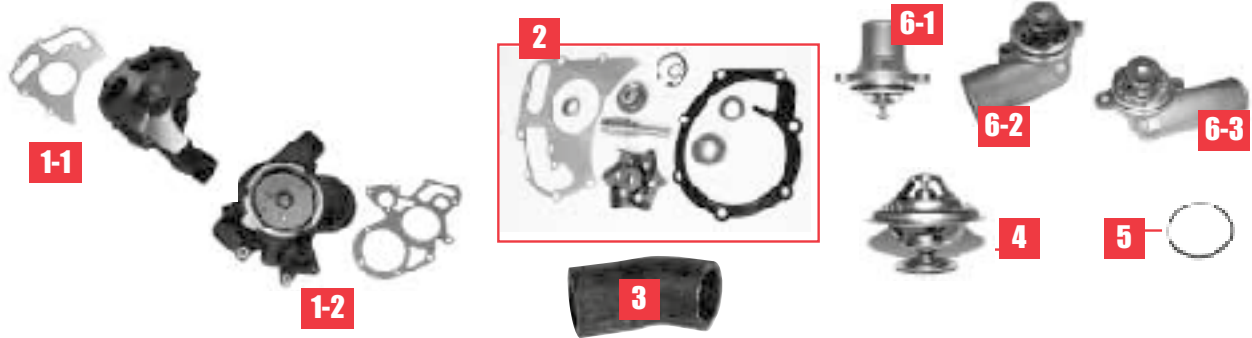
"THE RELIABLE SERVICE"

Las referencias originales tienen un propósito identificativo. Nuestras piezas no son originales.

bepco tractor parts

MF-PERKINS "1100C"
(REPLACEMENT PARTS)

COOLING SYSTEM
REFRIGERACIÓN



		1	2	3	4	5	6
Tractors Tractores	Engine Motor	Water pump Bomba de agua	Repair kit Juego de reparación	By-pass hose Manguito deriv.	Thermostat Termostato	Thermostat gasket Junta termostato	Thermostat cover with thermostat Tapa + termostato
3 cylinder engines / Motores 3 cilindros							
410	1103C-33	(U5MW0197, U5MW0207, 4225308M91, 4226943M91)	30/131-607 (U7LW0172, 4225070M91) High Flow / Alto flujo For / Para 30/130-607	-	-	30/147-606 (2415H008, 2415H219, 4224755M1, 4225843M1)	30/149-606 (4133L507, 4225430M1) 6-1
420, 430	1103C-33T	Low Flow / Bajo flujo use / utilizar 30/130-607 (U5MW0194, U5MW0206, 4225069M91, 4226913M91) Hg flow/ Alto flujo 1-1		-			30/149-607 (4133L508, 4225444M1) 6-2
3425				-			
4 cylinder engines / Motores 4 cilindros							
3435	1104C-44	30/130-607 (U5MW0194, U5MW0206, 4225069M91, 4226913M91) 1-1	30/131-607 (U7LW0172, 4225070M91)	-	-	30/147-606 (2415H008, 2415H219, 4224755M1, 4225843M1)	30/149-607 (4133L508, 4225444M1) 6-2
3445, 3455	1104C-44T			-			30/149-606 (4133L507, 4225430M1) 6-1
5425, 5435	1104C-44			-			Steep nose / Frontal inclinado 30/149-609 (4133L509, 4225397M1) 6-3
5445, 5455, 5460 6445, 6455	1104C-44T, 1104C-44TA			-			30/149-606 (4133L507, 4225430M1) 6-1
6460, 6470	1104C-E44TA			-			
				-			
6 cylinder engines / Motores 6 cilindros							
5465 6465, 6475, 6480 7465, 7475, 7480	1106C-E60TA	30/130-608 (U5MW0196, 4224708M91) 1-2	30/131-198 (U7LW0173, 4224675M91)	30/141-132 (U5MH0056, 4222846M91)	30/143-60 (2485C034, 4224624M1)	30/147-18 (2415H492, 4223842M1)	-

Part numbers are quoted for reference purposes only.
Our parts and accessories are not original.

"THE RELIABLE SERVICE"

Las referencias originales tienen un propósito identificativo. Nuestras piezas no son originales.

MF-PERKINS "1100C"
(REPLACEMENT PARTS)



BELTS, ALTERNATOR & STARTER MOTOR
CORREAS, ALTERNADOR Y MOTOR ARRANQUE



		1	2	3	4
Tractors Tractores	Engine Motor	Fan belt Correa	Compressor belt Correa del compresor	Alternator Alternador	Starter motor Motor arranque
3 cylinder engines / Motores 3 cilindros					
410	1103C-33	(A) 30/144-128 (3637306M91)	-	62/920-194 (0013593U91)	62/930-200 (4225326M91, 4270745M2)
420, 430			-		
3425	1103C-33T	30/144-680 (72284689, 2.4119.186.0) With A/C / Con acond. 30/144-681 (72284688, 2.4119.185.0)	30/144-688 (72284686, 2.4119.182.0)	14V - 65A 62/920-30 (72277319, 2.9439.420.0/1) With A/C / Con acond. 14V - 85A 62/920-48 (72276716, 2.9439.460.0/1)	62/930-243 (72284694, 2.9619.480.0)
4 cylinder engines / Motores 4 cilindros					
3435	1104C-44	30/144-682 (72257587, 2.4119.098.0) With A/C / Con acond. 30/144-683 (72284687, 2.4119.183.0)	30/144-688 (72284686, 2.4119.182.0)	14V - 65A 62/920-30 (72277319, 2.9439.420.0/1) With A/C / Con acond. 14V - 85A 62/920-48 (72276716, 2.9439.460.0/1)	62/930-180 (72284368, 2.9619.460.0)
3445, 3455	1104C-44T				
5425, 5435		30/144-684 (A) (4274693M91)	30/144-222 (3389525M1)	14V - 80A With single pulley Con simple polea	62/930-180 (3821818M94)
5425, 5435 High visibility	1104C-44	30/144-685 (A) (3780604M91) or/o 30/144-686 (A) (3777681M91)	30/144-272 (3714894M1)	62/920-192 (3821974M91)	
5445, 5455, 5460	1104C-44T, 1104C-44TA	30/144-687 (A) (4274692M91)	30/144-222 (3389525M1)	14V - 120A Without pulley Sin polea 62/920-156 (3788017M92)	
5445, 5455 High visibility	1104C-44T	30/144-685 (A) (3780604M91)	30/144-272 (3714894M1)		

(A) Pair of raw edged cogged belts / Par de correas dentada

Part numbers are quoted for reference purposes only.
Our parts and accessories are not original.

"THE RELIABLE SERVICE"

Las referencias originales tienen un propósito identificativo. Nuestras piezas no son originales.

BELTS, ALTERNATOR & STARTER MOTOR
CORREAS, ALTERNADOR Y MOTOR ARRANQUE

		1	2	3	4
Tractors Tractores	Engine Motor	Fan belt Correa	Compressor belt Correa del compresor	Alternator Alternador	Starter motor Motor arranque
4 cylinder engines / Motores 4 cilindros					
6445, 6455	1104C-44T	(A) 30/144-687 (4274692M91)	30/144-689 (3787792M1)	14V - 80A With single pulley Con simple polea 62/920-192 (3821974M91)	62/930-180 (3821818M94)
6445 High Visibility (Steep Nose)		(A) 30/144-685 (3780604M91)	30/144-690 (4276808M1)		
6455 High Visibility (Steep Nose)		(A) 30/144-691 (4277220M1)			
6460, 6470	1104C-E44TA	(A) 80A Alt. 30/144-687 (4274692M91) (A) 120A Alt. 30/144-243 (3780138M91)	30/144-692 (4275784M1)	14V - 120A With double pulley Con doble polea 62/920-132 (3821976M92)	
6 cylinder engines / Motores 6 cilindros					
5465	1106C-E60TA	(A) 30/144-242 (3779379M91)	30/144-693 (4272496M1)	14V - 80A With single pulley Con simple polea 62/920-192 (3821974M91) 14V - 120A Without pulley Sin polea 62/920-156 (3788017M92)	62/930-181 (3823621M91)
6465 7465		(A) 30/144-101 (3780608M91)	30/144-694 (3789028M1)		
6475 6480 (>N285073 & >N293019 with pneu- matic brake/freno neum) 7475 7480 (>20-10-2004 & >31-12-2004 with pneumatic brake/ freno neumatico)		(A) 30/144-242 (3779379M91)	30/144-695 (4273270M1)	14V - 80A With single pulley Con simple polea 62/920-192 (3821974M91) 14V - 120A With double pulley Con doble polea 62/920-132 (3821976M92)	
6480 (N285074> & N293020> with pneu- matic brake/freno neum) 7480 (21-10-2004> & 01-01-2005> with pneumatic brake/freno neum.) (With vistronic fan/ Con vistronic)		(A) 30/144-245 (3780606M91)	30/144-696 (4273269M1)		

(A) Pair of raw edged cogged belts / Par de correas dentada

Part numbers are quoted for reference purposes only.
Our parts and accessories are not original.

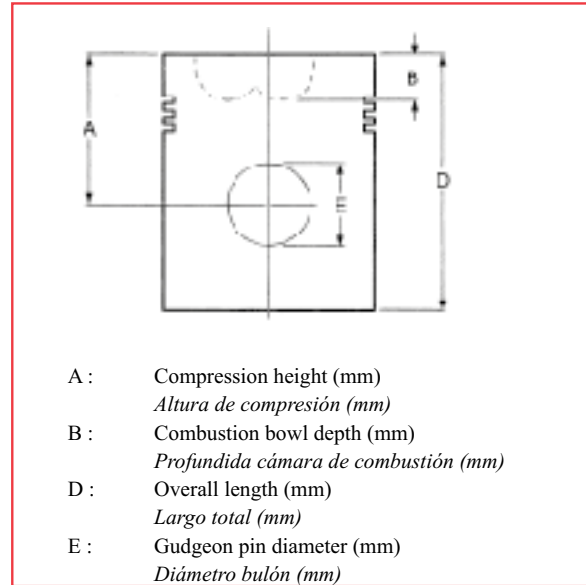
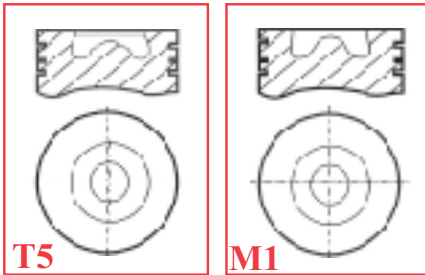
"THE RELIABLE SERVICE"

Las referencias originales tienen un propósito identifica-
tivo. Nuestras piezas no son originales.

MF-PERKINS "1100C"
(REPLACEMENT PARTS)

bepco tractor parts

PISTONS & RING SETS
PISTONES Y JUEGOS DE SEGMENTOS



Ref. Ref.	Type Tipo	Bore Ø Dia. Ø	Rings Segm.	Al-fin Al-fin	A (mm)	B (mm)	D (mm)	E (mm)
30/33-606	T5	105	3	n	70.05	22.50	108.00	39.70
30/33-607	M1	105	3	y	70.05	21.90	108.00	39.70
30/33-608	M1	100	3	y	70.20	21.70	108.20	39.70

Ref. Ref.	Bore Ø Dia. Ø	No.1	No.2	No.3
30/34-606	105	MP1 2.50	T5 2.50	CBEH 3.50
30/34-607	105	MK1 3.35	T5 2.50	CBEH 3.50
30/34-608	100	MK1 3.46	TN1 2.50	CBEH 3.50

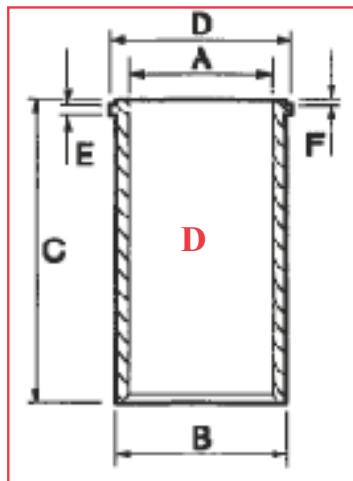
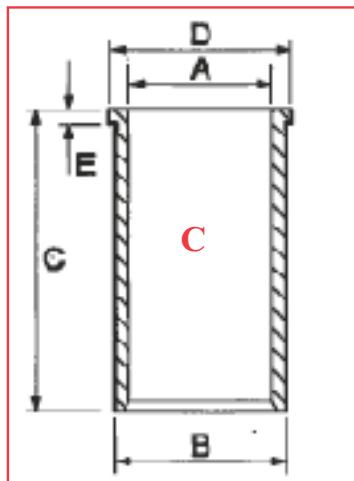
CBEH : Chrome plated bevelled edge with helical coil spring / *Cromado y rebajado con muelle helicoidal*
 MK1 : Molybdenum coated keystone / *Trapezoidal ambos lados con recubrimiento de Molibdeno en cara exterior*
 MP1 : Molybdenum coated parallel faced / *Rectangular molibdeno*
 T5 : Taper faced internally bevelled bottom (Reverse torsion) / *Exteriormente cónico con escalón*
 TN1 : Taper faced napier / *Tipo Napier o "pico de aguilá" cónico*

Part numbers are quoted for reference purposes only. Our parts and accessories are not original.

"THE RELIABLE SERVICE"

Las referencias originales tienen un propósito identificativo. Nuestras piezas no son originales.

LINERS & ENGINE VALVES
CAMISAS Y VÁLVULAS



A : Nominal bore diameter (mm) / Diámetro interior (mm)
B : Outside diameter (mm) / Diámetro exterior (mm)
C : Overall length (mm) / Largo total (mm)

D : Flange diameter (mm) / Grueso de pestaña (mm)
E : Flange width (mm) / Anchura pestaña (mm)
F : Fire lip height (mm) / Altura cortafuego (mm)

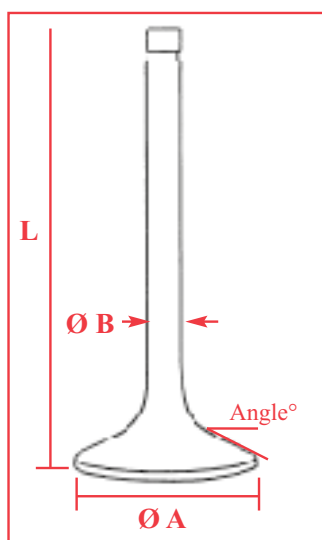
Fully-finished liners / Camisas terminadas

Ref. Ref.	Type Tipo	A (mm)	B (mm)	C (mm)	D (mm)	E (mm)	F (mm)
30/35-173	D	100.00	104.23	227.45	107.44	3.86	0.84
30/35-606	C	105.00	108.05	227.00	109.40	5.10	-

Semi-finished liners / Camisas semi-terminadas

Ref. Ref.	Type Tipo	A (mm)	B (mm)	C (mm)	D (mm)	E (mm)	F (mm)
30/36-173	D	99.23	104.28	227.45	107.44	3.86	0.84
30/36-606	C	104.20	108.05	227.00	109.40	5.10	-

Inlet / Admisión				
Ref. Ref.	ØA (mm)	ØB (mm)	L (mm)	Angle (°)
30/42-61	43.00	8.97	122.98	30
30/42-606	46.35	8.97	129.10	30



Escape / Outlet				
Ref. Ref.	ØA (mm)	ØB (mm)	L (mm)	Angle (°)
30/43-62	41.00	8.95	122.98	45
30/43-606	41.65	8.95	129.10	30

Part numbers are quoted for reference purposes only.
Our parts and accessories are not original.

"THE RELIABLE SERVICE"

Las referencias originales tienen un propósito identificativo. Nuestras piezas no son originales.

**BEPCO PARTS SA****HERMALLE-SOUS-HUY**

Rue Chaumont, 4D • 4480 Hermalle-sous-Huy • Belgique
T +32 85 24 54 00 • F +32 85 24 54 50
info.be@bepcoparts.com • www.bepcoparts.com

VILLERS-LE-BOUILLET

Rue de Waremme, 114 • 4530 Villers-le-Bouillet • Belgique
T +32 85 24 54 00 • F +32 85 24 54 50
info.be@bepcoparts.com • www.bepcoparts.com

**BEPCO UK LTD**

Bepco House • Unit 316 • Hartlebury Trading Estate
Hartlebury - Worcestershire, DY10 4JB (UK)
P +44 (0)1299 252270 • F 0800 216553
info@bepcoparts.com • www.bepcoparts.com

**BEPCO FRANCE SAS**

Z.I. La Plaine, Allée de Bigorre
BP80041 Le Passage • 47901 Agen Cedex 9 • France
T +33 (0)553 96 31 25 • F +33 (0)553 68 03 72
info.fr@bepcoparts.com • www.bepcoparts.com

VILLENEUVE-SUR-LOT

294 Av. de Bordeaux • CS 30059 Bias
FR-47302 Villeneuve sur lot • France
T +33 (0)5 53 40 37 50 • F +33 (0)5 53 70 61 93

JANZÉ

P.A. de la Chauvelière • Rue Charles Lindbergh
35150 JANZE • France
T + 33 (0)2 99 44 16 18 • F +33 (0)2 99 44 17 29

**TVH AUSTRALASIA PTY LTD**

HEAD OFFICE BRISBANE • www.bepcoparts.com

ADELAIDE

96 South Terrace • Wingfield SA 5013
Free 1800 182 344 • T +61 8 8359 8933 • F +61 8 8234 2212
BepcoSAsales@tvh.com.au

BRISBANE

735 Boundary Road • Richlands QLD 4077
Free 1800 020 082 • T +61 7 3344 1113 • F +61 7 3344 1332
BepcoQLDsales@tvh.com.au

MELBOURNE

7/66-74 Micro Circuit • Dandenong South VIC 3175
Free 1800 802 367 • T +61 3 9796 5422 • F +61 3 9796 5251
BepcoVICsales@tvh.com.au

PERTH

2/15 Colin Jamieson Drive • Welshpool WA 6106
Free 1800 182 344 • T +61 8 8352 8984 • F +61 8 8234 2212
BepcoWAsales@tvh.com.au

SYDNEY

1/1002-1010 Canley Vale Rd • Wetherill Park NSW 2164
Free 1800 808 827 • T +61 2 6885 5288 • F +61 3 9796 5251
BepcoNSWsales@tvh.com.au

**TVH NEW ZEALAND LTD****AUCKLAND**

PO Box 51490 • Pakuranga 2140 • 11K Echelon Place
East Tamaki • Auckland
Free 0800 459 662 • T +64 9 274 9695 • F +64 9 274 9698
info@tvh.co.nz • www.tvh.com

CHRISTCHURCH

11C Parkhouse Road
Wigram • Christchurch 8042
Free 0508 8 722 867 • T +64 3 550 1298 • F +64 3 974 9993
infochch@tvh.co.nz

**BEPCO DEUTSCHLAND GmbH**

Neuer Weg 5 • 59505 Bad Sassendorf • Germany
T +49 (0)2927 919 59 0 • F +49 (0)2927 919 59 59
info.de@bepcoparts.com • www.bepcoparts.com

**BEPCO NEDERLAND BV**

Den Dolvert 10 • 5473 GP, Heeswijk-Dinther • Nederland
T +31 (0)413 29 39 75 • F +31 (0)413 29 40 87
info.nl@bepcoparts.com • www.bepcoparts.com

**BEPCO IBÉRICA SA**

C/ Torrent de Vallmajor, 82
08915 Badalona (Barcelona) • Spain
T +34 (0)902 111 062 - 933 810 062 • F +34 (0)933 813 345
info.es@bepcoparts.com • www.bepcoparts.com

ALMENDRALEJO

Ctra. Badajoz - Pol. «Rayvaz» Nave 21
06200 Almendralejo (Badajoz)
T +34 (0)902 111 062 - 924 664 890
F +34 (0)924 664 576

DOS HERMANAS

Pol. Ind. La Isla, C/ Hornos, 11
41703 Dos Hermanas (Sevilla)
T +34 (0)902 111 062 - 954 931 546
F +34 (0)954 930 130

SANTIAGO DE COMPOSTELA

Pol. El Tambre, Via Faraday, 36
15890 Santiago de Compostela
T +34 (0)902 111 062 - 981 560 012
F +34 (0)981 557 753

**TVH PARTS SOUTH AFRICA (Pty) Ltd**

HEAD OFFICE JOHANNESBURG • www.tvh.com

CAPE TOWN

1 Karee Street • Kraaifontein Industries • Cape Town 7571
T +27 21 988 2432 • F +27 21 988 9127
capetownsales@tvh.com

DURBAN

2 Monaco Place • Westmead • Pinetown 3600
T +27 31 100 0760 • F +27 31 700 6191
durbansales@tvh.com

JOHANNESBURG

90 Electron Avenue • Isando • Kempton Park 1601
T +27 11 281 27 00 • F +011 974 9845
johannesburgsales@tvh.com

LICHTENBURG

Shop 1 • 109 Scholtz Street • Lichtenburg 2740
T +27 18 632 6192/6092 • F +27 18 632 6108
lichtenburgsales@tvh.com

PORT ELIZABETH

134 Kempston Road • Korsten • Port Elizabeth 6020
T +27 41 453 1404/8 • F +27 41 453 1409
portelizabethsales@tvh.com

FOR ALL OUR LATEST CATALOGUE UPDATES AND COMPANY INFO: WWW.BEPCOPARTS.COM



The spare parts mentioned in this list can normally be delivered from stock. In addition, we can supply parts, which are not mentioned in this catalogue, with the shortest possible delivery time. The O.E.M. references are only for indication purposes and do not imply that the spare parts are coming from the manufacturer. This spare parts list can be modified without prior notice. All photographs, drawings, illustrations, brand names, descriptions and numbers are included for identification purposes only.



De onderdelen vermeld in deze lijst, zijn normaal uit voorraad leverbaar, behoudens uitverkocht. Ook niet-vermelde onderdelen kunnen binnen de kortste tijd uitgeleverd worden. De O.E.M. referenties dienen enkel ter indicatie en impliceren niet dat deze van de vermelde constructeur afkomstig zijn. Deze onderdelenlijst kan zonder enige voorafgaande verwittiging aangepast worden. Alle gebruikte foto's, tekeningen, afbeeldingen, merknamen, omschrijvingen en nummers dienen alleen ter identificatie.



Les pièces de rechange, mentionnées dans cette liste, sont normalement livrables du stock. En plus, les articles non indiqués peuvent être fournis en peu de temps. Cette liste peut être modifiée sans avis préalable. Les références O.E.M. sont seulement indicatives et n'impliquent pas que les pièces de rechange viennent du constructeur. Toutes les photographies, illustrations, marques, descriptions, tous les plans et numéros servent exclusivement à une identification.



Die in dieser Liste aufgeführten Teile sind normalerweise aus dem Lager lieferbar. Wir sind zudem in der Lage nicht aufgeführte Teile innerhalb kürzester Zeit zu liefern. Die O.E.M. Referenznummern dienen zur Information und beinhalten nicht, dass diese vom genannten Hersteller kommen. Diese Bestandsliste kann ohne vorhergehende Ankündigung geändert werden. Alle verwendeten Foto's, Zeichnungen, Abbildungen, Markennamen, Beschreibungen und Nummern dienen nur zu Identifikationszwecken.



Los artículos mencionados en este catálogo se encuentran habitualmente en stock. Además, podemos suministrar en un plazo corto de tiempo otros artículos relacionados que no se encuentren expresamente mencionados en este catálogo. Las referencias O.E.M. sirven sólo como indicación y no implican que procedan del constructor. Este listado de productos puede estar sujeto a modificaciones sin aviso previo. Todas las fotos, dibujos, ilustraciones, nombres de marca, descripciones y números se han incluido simplemente con el propósito de su identificación.



I pezzi di ricambio, menzionati in questo listino, possono essere forniti con una consegna immediata a condizione che non siano esauriti. I pezzi di ricambio non menzionati possono essere forniti in poco tempo. Le referenze O.E.M. sono solamente indicative e non implicano che i pezzi di ricambio vengano da questo costruttore. Questa lista ricambi può essere aggiustata senza avvisi anticipati. Tutti i numeri, codici, nomi, foto, spaccati e disegni sono solo a titolo informativo.



Części z tego katalogu są zazwyczaj na stanie magazynowym. Również części które nie są wyszczególnione w katalogu mogą być dostarczone na zamówienie w najkrótszym możliwym terminie. Opis części O.E.M. jest używany informacyjnie i nie wskazuje na to, że dany produkt jest wyprodukowany przez podanego producenta. Zawartość katalogu może ulec zmianie bez wcześniejszego informowania o tym. Wszystkie użyte zdjęcia, rysunki, nazwy marek, opis i numery służą tylko do identyfikacji.



Запчасти из настоящего списка, как правило, имеются в запасе, если только он не распродан. Прочие, не фигурирующие в списке артикулы, могут быть поставлены в самые кратчайшие сроки. Указание оригинальных номеров производителя не предполагает обязательного оригинального происхождения самих деталей. Данный список может изменяться без предварительного уведомления. Все использованные фото, рисунки, иллюстрации, названия брендов, наименования и номера служат исключительно для цели идентификации.

Visita nuestro sitio Web :
www.bepcoparts.com

© **bepco** 2015

Todos los derechos reservados. Ninguna parte de este catálogo puede ser reproducida o comunicada en cualquier forma o por cualquier medio, electrónico o mecánico, incluyendo la copia, la grabación o el uso en un sistema de almacenamiento o recuperación de información, sin el permiso previo y explícito de BEPCO.

- BEPCO es un proveedor de piezas de recambio y accesorios adecuados para el mantenimiento y reparación de equipos originales.
Las referencias y marcas originales son puramente indicativas y no implican que los accesorios y / o piezas de recambio sean las del fabricante original.
- Los productos que no cumplan con los requisitos reglamentarios de la marca CE no se comercializan en el Espacio Económico Europeo.
- BEPCO® es una marca registrada.
- Todas las ventas están sujetas a los términos y condiciones generales de venta en www.bepcoparts.com
- Se incluyen fotografías e ilustraciones sólo a título indicativo. Sin responsabilidad por errores de impresión.

Recambios ■
para todas
las marcas
de la A a la Z

■ **Perkins**

David Brown
Fendt
Fiat
Ford
Hürlimann
JCB
John Deere
K.H.D. (Deutz)
Kubota
Landini
Lamborghini
Manitou
Massey Ferguson
Mc Cormick
Merlo
New Holland
Renault
Same
Steyr
Valmet
Zetor

moving forward in every field

REF. 90/999-366